



LAYOUT SHOWN AS EXAMPLE

Keying Shown as example

CHARACTERISTICS

- Standard : Based on MIL-DTL-38999 Series III
- Shell Material : Composite
- Shell Plating : Olive drab Cadmium
- Insulator : Thermoplastic
- Contacts : Copper Alloy
- Seals & Grommet : Silicon Elastomer
- Contact Plating : Gold over copper Alloy 0.8µm minimum
- Durability : 500 Mating cycles
- Delivered with Souriau contacts and Accessories
- Temperature Range : -65°C to +175°C
- Salt Spray : 2000 hours

Connector dimension	
Dim	Nominal
P	3.25±0.2
PP	4.93±0.2
R1	26.97
R2	24.61
S	33.3±0.3
V'	19.5+1.4/-0
W'	2.1/3.65
Z'	32 Max
VV THREAD	M25x1-6g

SOURIAU shall not be liable for any non-conformity or damage due to a use of the Products which does not comply with the Specifications issued by either of the Parties or by a third party (professional recommendation, technical notice.)

Country	Jurisdiction & Control List
FR	Not Listed

PN: 8D017J20JD

B	10-04-17	Drawing Update	
ISS	DATE	Latest modification - by	MOD N°
Designed By:		Date:	CUSTOMER DRAWING
TITLE	Composite Receptacle 8D series		
SCALE		General linear Tolerances: ±--	NPRDS / PROJECT 859
NA			This document is the property of SOURIAU it must not be reproduced or communicated without permission
SOURIAU	WWW.SOURIAU.COM		
FORMAT	SOURIAU DRG N° 8D017J20JD-C		SHEET 1/2

BASIC SERIES:	8D	0	-	17	J	20	J	D	ORIENTATION : D
SHELL TYPE :	Square Flange Receptacle								
CONTACT TYPE :	Standard Crimp Contact								
SHELL SIZE :	17								
PLATING :	J = Olive drab Cadmium								
	CONTACT TYPE : SOCKET (1500 Matings)								
	CONTACT LAYOUT : 17-20								

Contact Layout

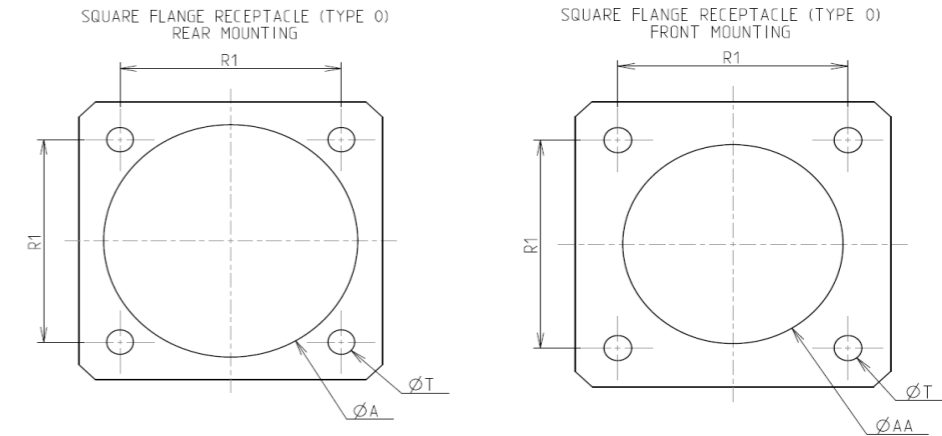
20*



4#12
16#22D

17-20		
Ctc	X	Y
A	0	5.51
B	3.17	0
C	0	-5.51
D	-3.17	0
1	4.16	7.06
2	4.29	4.29
3	7.11	4.03
4	8.05	1.4
5	8.05	-1.4
6	7.11	-4.03
7	4.29	-4.29
8	4.16	-7.06
9	-4.16	-7.06
10	-4.29	-4.29
11	-7.11	-4.03
12	-8.05	-1.4
13	-8.05	1.4
14	-7.11	4.03
15	-4.29	4.29
16	-4.16	7.06

Panel Cutout



Max. thickness panel for receptacle: Type 0: front mounting = 3.2 mm, rear mounting = 2.5 mm

Dim	Nominal
ØA	30.96 min
ØAA	25.81 min
R1	26.97
ØT	3.25 ±0.13

SOURIAU shall not be liable for any non-conformity or damage due to a use of the Products which does not comply with the Specifications issued by either of the Parties or by a third party (professional recommendation, technical notice.)

Country	Jurisdiction & Control List
FR	Not Listed

PN: 8D017J20JD

B	10-04-17	Drawing Update	
ISS	DATE	Latest modification - by	MOD N°
Designed By:		Date:	CUSTOMER DRAWING
TITLE	Composite Receptacle 8D series		
SCALE		General linear Tolerances:	NPRDS / PROJECT
NA		±--	859
SOURIAU	WWW.SOURIAU.COM		This document is the property of SOURIAU it must not be reproduced or communicated without permission
FORMAT	SOURIAU DRG N° 8D017J20JD-C		SHEET 2/2