

Data sheet | Item number: 788-754

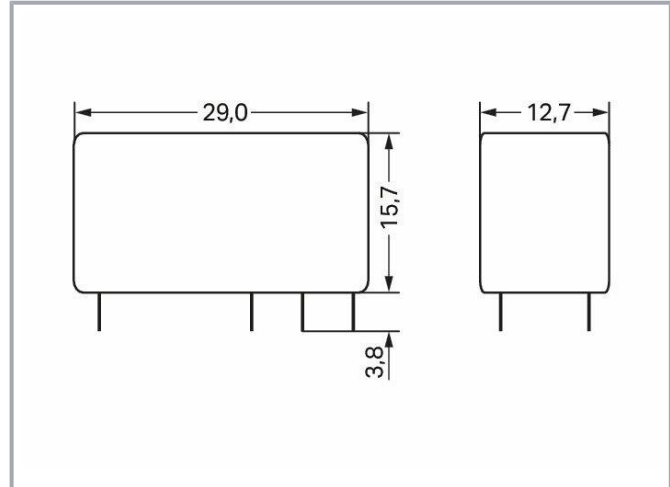
Basic solid-state relay; Nominal input voltage: 24 VDC; Output voltage range: 0 ... 35 VDC; Limiting continuous current: 5 A; Module width: 12 mm; Module height: 15 mm

www.wago.com/788-754



 Picture differs from the item.

Similar to picture



Data

Notes

Note

Optocouplers and solid state relays are designed for use in signal processing networks, which are not supplied by the low-voltage power supply networks.

Technical data

Control Circuit

Nominal input voltage U_N

DC 24 V

Subject to changes. Please also observe the further product documentation!

WAGO GmbH & Co. KG
Hansastr. 27
32423 Minden
Phone: +49571 887-0 | Fax: +49571 887-169
Email: info.de@wago.com | Web: www.wago.com

Do you have any questions about our products?
We are always happy to take your call at +49 (571) 887-44222.



Input voltage range (low level)	DC 0 ... 9 V
Input voltage range (high level)	DC 10 ... 30 V
Nominal input current at U_N	11 mA

Load circuit

Circuit type	2-wire connection
Limiting continuous current	5 A
Nominal output voltage	DC 24 V
Output voltage range	DC 0 ... 35 V
Voltage drop at output (max.)	≤ DC 0.3 V
Switching current (min.)	1 mA
Turn-on time	≤ 50 μs
Turn-off time	≤ 250 μs
Switching frequency	≤ 3 kHz

Signaling

Status indicator	Green LED
------------------	-----------

Safety and protection

Dielectric strength (control/load circuit) (AC, 1 min)	3.51 kVrms
--	------------

Physical data

Width	12.7 mm / 0.5 inches
Height from the surface	15.7 mm / 0.618 inches
Depth	29 mm / 1.142 inches

Mechanical data

Mounting type	Pluggable module
---------------	------------------

Material Data

Weight	4 g
--------	-----

Environmental requirements

Ambient temperature (operation at U_N)	-30 ... +80 °C
Ambient temperature (storage)	-40 ... +100 °C

Subject to changes. Please also observe the further product documentation!

Standards and specifications

Standards/specifications	EN 61010-2-201 EN 61000-6-2 EN 61000-6-3 EN 61373
--------------------------	--

Commercial data


ETIM 8.0	EC001504
ETIM 7.0	EC001504
PU (SPU)	20 pcs
Packaging type	Box
Country of origin	DE
GTIN	4055143919258
Customs tariff number	85364190890

Environmental Product Compliance

RoHS Compliance Status	Compliant, No Exemption
------------------------	-------------------------

Approvals / Certificates

General approvals

Logo	Approval	Additional Approval Text	Certificate name
	UL Underwriters Laboratories Inc.	UL 508	E340707

Downloads

Documentation

Bid Text

xml	Download
4.4 kB	
docx	Download
14.1 kB	

Additional Information

Disposal and Recycling

Subject to changes. Please also observe the further product documentation!

WAGO GmbH & Co. KG
Hansastr. 27
32423 Minden
Phone: +49571 887-0 | Fax: +49571 887-169
Email: info.de@wago.com | Web: www.wago.com

Do you have any questions about our products?
We are always happy to take your call at +49 (571) 887-44222.



Electrical and electronic equipment, Batteries, Packaging

V 1.1.0
2022 Aug 18

pdf
2.2 MB

[Download](#)

CAD/CAE-Data

CAD data

2D/3D Models 788-754

[URL](#)

[Download](#)

Environmental Product Compliance

Compliance Search

Environmental Product Compliance 788-754

[URL](#)

[Download](#)

Basic solid-state relay; Nominal input voltage: 24 VDC; Output voltage range: 0 ... 35 VDC; Limiting continuous current: 5 A; Module width: 12 mm; Module height: 15 mm

Installation Notes

Subject to changes. Please also observe the further product documentation!

WAGO GmbH & Co. KG
Hansastr. 27
32423 Minden
Phone: +49571 887-0 | Fax: +49571 887-169
Email: info.de@wago.com | Web: www.wago.com

Do you have any questions about our products?
We are always happy to take your call at +49 (571) 887-44222.