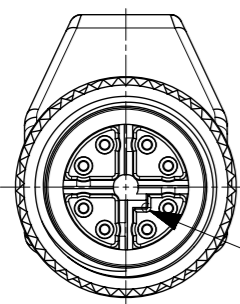
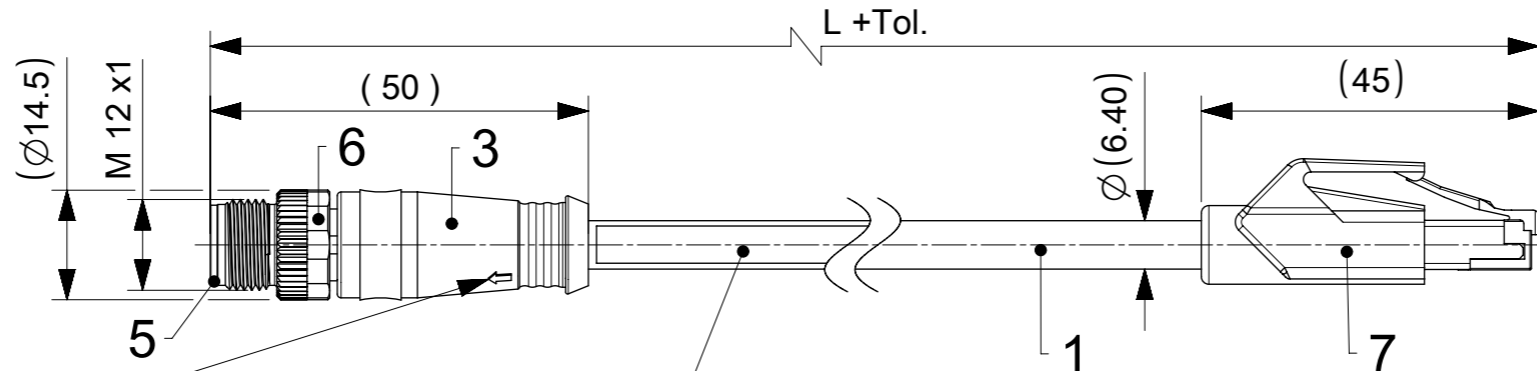


SCALE 2:1



The arrow of the coding (inline with the coding) of M12 connector Brad Logo on the opposite side



CABLE PRINT:
[MOLEX ETHERNET CABLE CAT6A 4x2x26] [MX PN] [(MX OLD ENG NO)] [DATE CODE] according to WN-00001
i.e. MOLEX ETHERNET CABLE CAT6A 4x2x26 1203410500 (E26E06020M005) MX1922

SCALE 2:1

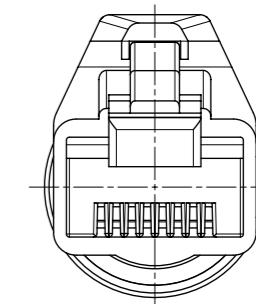


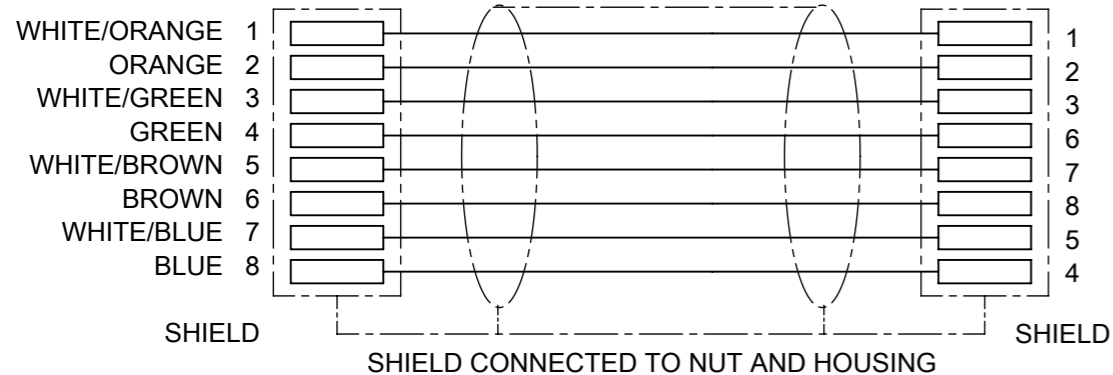
TABLE 2

CABLE LENGTH TOLERANCES	
LENGTH	TOLERANCE
0m-1m	+40
>1m-5m	+60
>5m-10m	+80
>10m-20m	+140
>20m-30m	+160
>30m	+1% of length

WIRING DIAGRAM

Plug M12 X-Coded

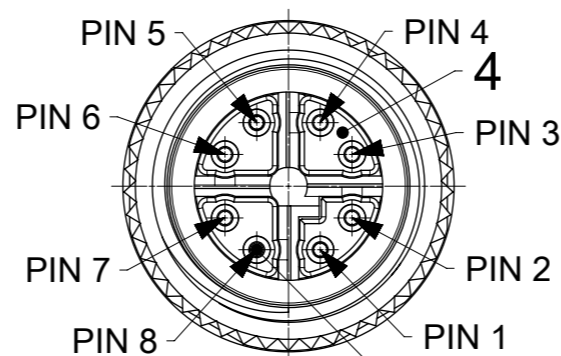
RJ45 Plug



Connector Pin Assignment

Plug M12 X-Coded

Pin Side View



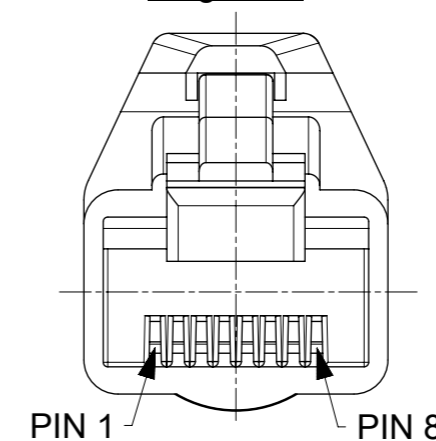
SCALE 3:1

Wiring Scheme M12

- 1 white-orange
- 2 orange
- 3 white-green
- 4 green
- 5 white brown
- 6 brown
- 7 white-blue
- 8 blue

Connector pin assignment

Plug RJ45



SCALE 3:1

Wiring Scheme RJ45

- 1 white-orange
- 2 orange
- 3 white-green
- 4 blue
- 5 white-blue
- 6 green
- 7 white-brown
- 8 brown

1) DEVIATION OF RTN-LOSS AT CAT6_A LIMIT BELOW 2.00E+06Hz

TABLE 1

MOLEX PN	ENGINEERING NO.	DESCRIPTION	L [mm]
1203410500	E26E06020M005	M12 CAT6A M/RJ45 ST/ST PUR BLUE	500
1203410501	E26E06020M010	M12 CAT6A M/RJ45 ST/ST PUR BLUE	1 000
1203410502	E26E06020M020	M12 CAT6A M/RJ45 ST/ST PUR BLUE	2 000
1203410503	E26E06020M030	M12 CAT6A M/RJ45 ST/ST PUR BLUE	3 000
1203410504	E26E06020M040	M12 CAT6A M/RJ45 ST/ST PUR BLUE	4 000
1203410505	E26E06020M050	M12 CAT6A M/RJ45 ST/ST PUR BLUE	5 000
1203410506	E26E06020M100	M12 CAT6A M/RJ45 ST/ST PUR BLUE	10 000
1203410507	E26E06020M150	M12 CAT6A M/RJ45 ST/ST PUR BLUE	15 000
1203410508	E26E06020M200	M12 CAT6A M/RJ45 ST/ST PUR BLUE	20 000
1) 1203410509	E26E06020M300	M12 CAT6A M/RJ45 ST/ST PUR BLUE	30 000
1) 1203410510	E26E06020M400	M12 CAT6A M/RJ45 ST/ST PUR BLUE	40 000
1) 1203410511	E26E06020M230	M12 CAT6A M/RJ45 ST/ST PUR BLUE	23 000
1) 1203410568	E26E06020M500	M12 CAT6A M/RJ45 ST/ST PUR BLUE	50 000
1) 1203410569	E26E06020M600	M12 CAT6A M/RJ45 ST/ST PUR BLUE	60 000
1) 1203410570	E26E06020M700	M12 CAT6A M/RJ45 ST/ST PUR BLUE	70 000
1203410572	E26E06020M005H	M12 CAT6A M/RJ45 ST/ST PUR BLUE	500
1203410573	E26E06020M010H	M12 CAT6A M/RJ45 ST/ST PUR BLUE	1 000
1203410574	E26E06020M020H	M12 CAT6A M/RJ45 ST/ST PUR BLUE	2 000
1203410575	E26E06020M030H	M12 CAT6A M/RJ45 ST/ST PUR BLUE	3 000
1203410576	E26E06020M040H	M12 CAT6A M/RJ45 ST/ST PUR BLUE	4 000
1203410577	E26E06020M050H	M12 CAT6A M/RJ45 ST/ST PUR BLUE	5 000
1203410578	E26E06020M100H	M12 CAT6A M/RJ45 ST/ST PUR BLUE	10 000
1203410579	E26E06020M150H	M12 CAT6A M/RJ45 ST/ST PUR BLUE	15 000
1203410580	E26E06020M200H	M12 CAT6A M/RJ45 ST/ST PUR BLUE	20 000
1203410581	E26E06020M300H	M12 CAT6A M/RJ45 ST/ST PUR BLUE	30 000
1203410582	E26E06020M400H	M12 CAT6A M/RJ45 ST/ST PUR BLUE	40 000
1203410583	E26E06020M230H	M12 CAT6A M/RJ45 ST/ST PUR BLUE	23 000
1203410584	E26E06020M500H	M12 CAT6A M/RJ45 ST/ST PUR BLUE	50 000
1203410585	E26E06020M600H	M12 CAT6A M/RJ45 ST/ST PUR BLUE	60 000
1203410586	E26E06020M700H	M12 CAT6A M/RJ45 ST/ST PUR BLUE	70 000
1203410860	E26E06020M070	M12 CAT6A M/RJ45 ST/ST PUR BLUE	7 000
1203410861	E26E06020M250	M12 CAT6A M/RJ45 ST/ST PUR BLUE	25 000

Technical data:

M12 X-Coded to RJ45 CAT6_A Cordset AWG26 straight blue inline 360° shielded.

Poles:	8
Max. Voltage:	48V
Max. Current:	0.5A
Contact resistance:	<5mOhm
Insulation withstand:	>100MOhm
Protection M12 / RJ45:	IP67 / IP20
Temperature range:	-40°C to 70°C
Transmission characteristics (category):	CAT6 _A

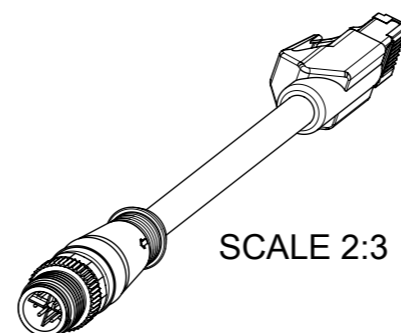
Low-halogen-status according to IEC 60754-1/-2

Product specification see: PS-120341-140

Packaging:
The cordsets are packed in a polybag.

BOM

ITEM	QTY	DESCRIPTION	MATERIAL	FINISH
1	-	CABLE 4x2xAWG 26 BLUE	PUR	-
2	8	CONTACT 6 MALE	BRASS	GOLD OVER NICKEL
3	-	OVERMOLD BLACK	TPU	-
4	1	INSERT M12 CAT6A MALE 8P BLACK	PA6	-
5	1	SHELL M12 CAT6A	ZINC DIE-CAST	NICKEL PLATED
6	1	NUT M12 MALE	BRASS	NICKEL PLATED
7	1	PLUG RJ45	-	-



THIS DRAWING CONTAINS INFORMATION THAT IS PROPRIETARY TO MOLEX ELECTRONIC TECHNOLOGIES, LLC AND SHOULD NOT BE USED WITHOUT WRITTEN PERMISSION

SYMBOLS: DIMENSION UNITS: mm SCALE: 1:1

GENERAL TOLERANCES (UNLESS SPECIFIED): ANGULAR TOL ± 1.0°

4 PLACES ± 0.15
3 PLACES ± 0.10
2 PLACES ± 0.05
1 PLACE ± 0.3
0 PLACES ± 0.5

DRAFT WHERE APPLICABLE MUST REMAIN WITHIN DIMENSIONS

THIRD ANGLE PROJECTION

CURRENT REV DESC: DRAWING UPDATED

EC NO: 620103
DRWN: RSCHIEBER 2019/06/03
CHK'D: RSILLER 2019/07/04
APPR: RSILLER 2019/07/04

INITIAL REVISION:
DRWN: FGAIK 2017/06/20
APPR: BBRAUCH 2017/06/27

molex

CSE M12 CAT6A RJ45 8P XC MA STR PUR XM

PRODUCT CUSTOMER DRAWING

DOCUMENT NUMBER: 1203410500 DOC TYPE: PSD DOC PART: 000 REVISION: A4

SHEET NUMBER: 1 OF 1

SEE TABLE 1 GENERAL MARKET