

HEADERS CODINGS

(CODING 2 SHOWN)

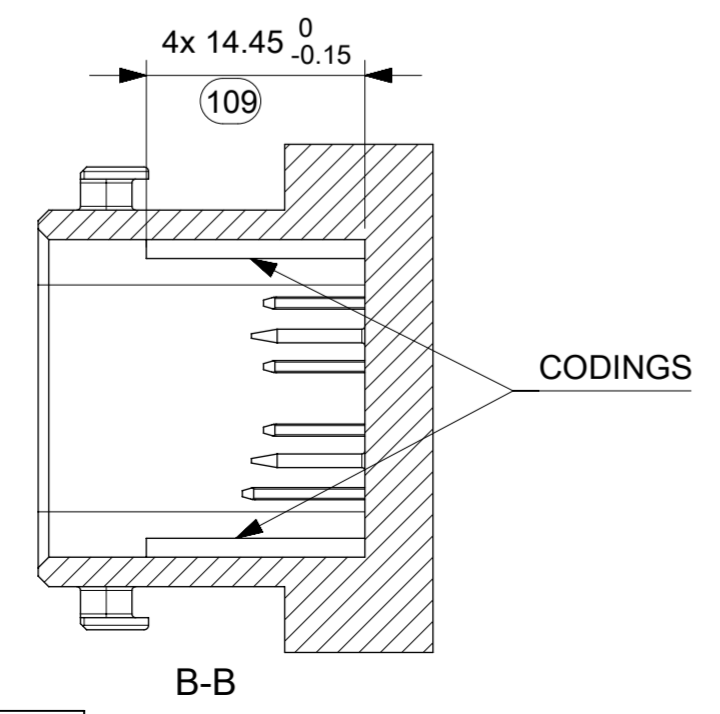
HEADER'S CODINGS FOR MODULE T2 (32W)					
COLOR	CODING	DIM. A	DIM. B	DIM. C	DIM. D
BLACK	1	9.1	4.3	5.9	4.3
GREY	2	7.5	5.9	9.1	5.9
BROWN	3	5.9	7.5	9.1	9.1
GREEN	4	7.5	9.1	4.3	4.3
BLUE	5	4.3	7.5	5.9	5.9
YELLOW	6	9.1	7.5	4.3	7.5

(CODING 3 SHOWN)

HEADER'S CODINGS FOR MODULE T3 (48W)					
COLOR	CODING	DIM. A	DIM. B	DIM. C	DIM. D
BLACK	1	12.9	6.3	8.5	6.3
GREY	2	10.7	8.5	12.9	8.5
BROWN	3	8.5	10.7	12.9	12.9
GREEN	4	10.7	12.9	6.3	6.3
BLUE	5	6.3	10.7	8.5	8.5
YELLOW	6	12.9	10.7	6.3	10.7

NOTE:

- 1- INTERFACE DEFINITION BASED ON NFR13-462 STANDARD.
- 2- HEADER: ELASTICITY MODULUS: 8000Mpa min. (INITIAL CONDITION BEFORE AGEING)



THIS DRAWING CONTAINS INFORMATION THAT IS PROPRIETARY TO MOLEX ELECTRONIC TECHNOLOGIES, LLC AND SHOULD NOT BE USED WITHOUT WRITTEN PERMISSION

DIMENSION UNITS: mm	SCALE: 2:1	CURRENT REV DESC: NX RE-MASTERING	
GENERAL TOLERANCES (UNLESS SPECIFIED)		EC NO: 603689	
ANGULAR TOL	± 2.0°	DRWN: SLAFAURE	2018/07/17
4 PLACES	± 0.10	CHK'D: OPLESSIS	2018/08/31
3 PLACES	± 0.10	APPR: SLAFAURE	2018/09/03
2 PLACES	± 0.10	INITIAL REVISION:	
1 PLACE	± 0.10	DRWN: G.DESBRUERES	2008/10/02
0 PLACES	±	APPR: OPLESSIS	2008/10/06
DRAFT WHERE APPLICABLE MUST REMAIN WITHIN DIMENSIONS	FIRST ANGLE PROJECTION	DRAWING: A2-SIZE	SERIES: 98644

32 & 48CKT CMC INTERFACE

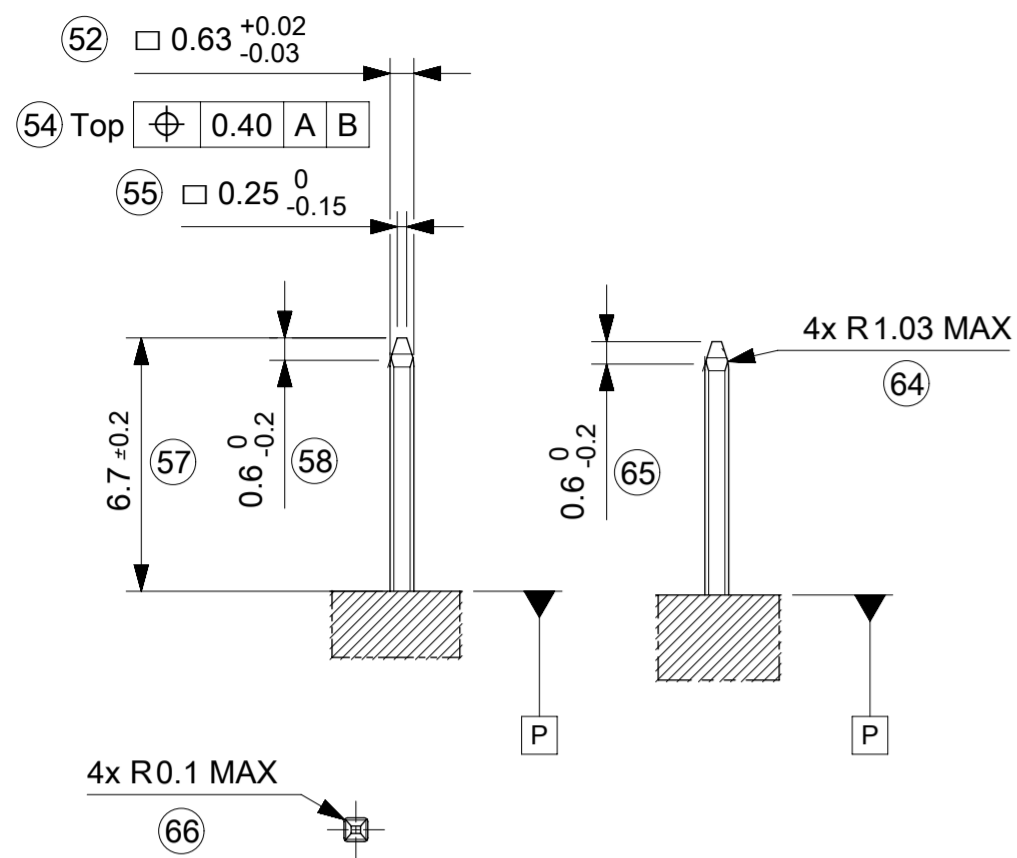
PRODUCT CUSTOMER DRAWING

DOCUMENT NUMBER	DOC TYPE	DOC PART	REVISION
SD-98644-006	PSD	001	B1

MATERIAL NUMBER	CUSTOMER	SHEET NUMBER
N/A	GENERAL MARKET	1 OF 3

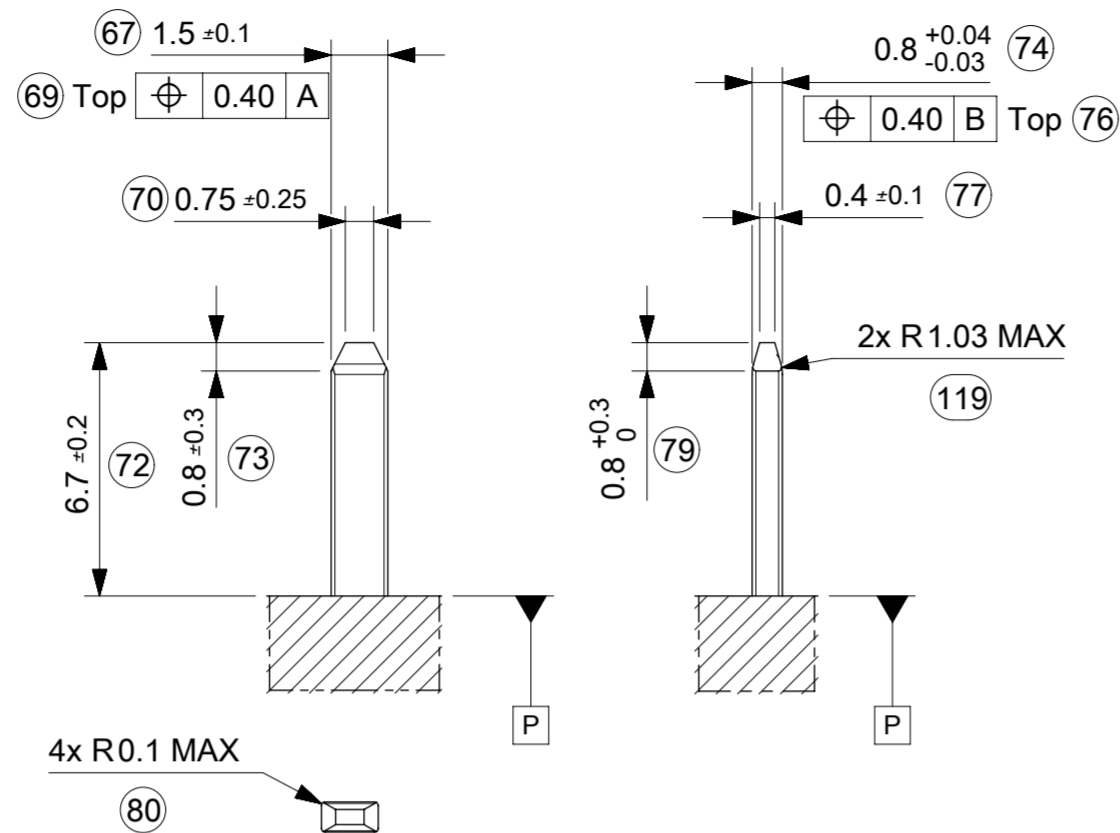
PINS 0.635 DEFINITION

5:1



TABS 1.5 DEFINITION

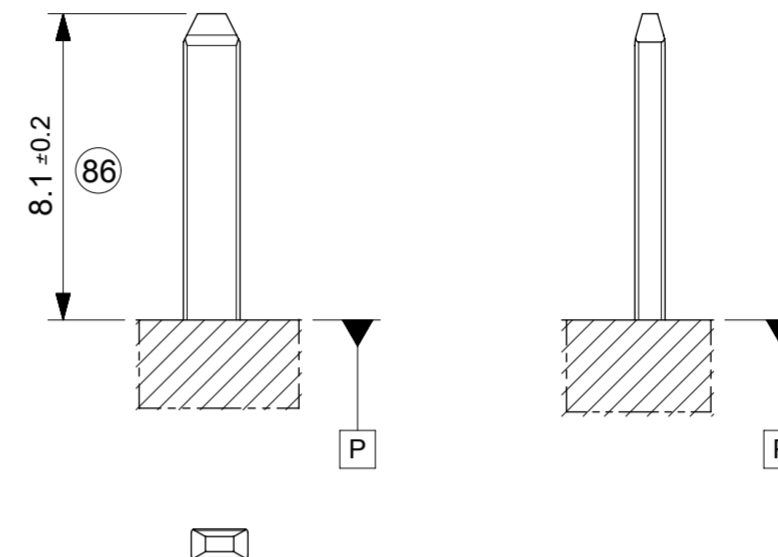
5:1



GROUND TABS 1.5 DEFINITION

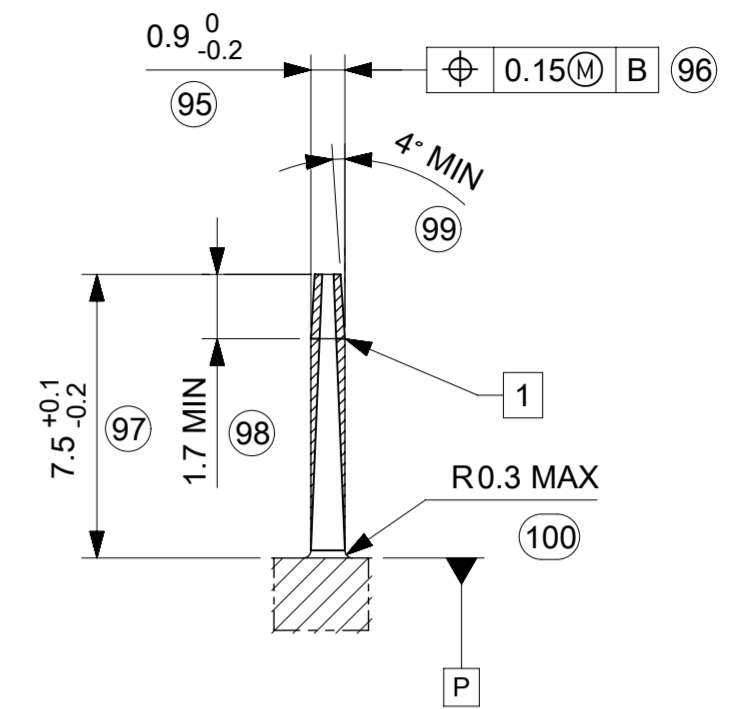
5:1

FOR OTHER DIMENSIONS
SEE TABS 1.5 DEFINITION



PROTECTION WALL DEFINITION

5:1

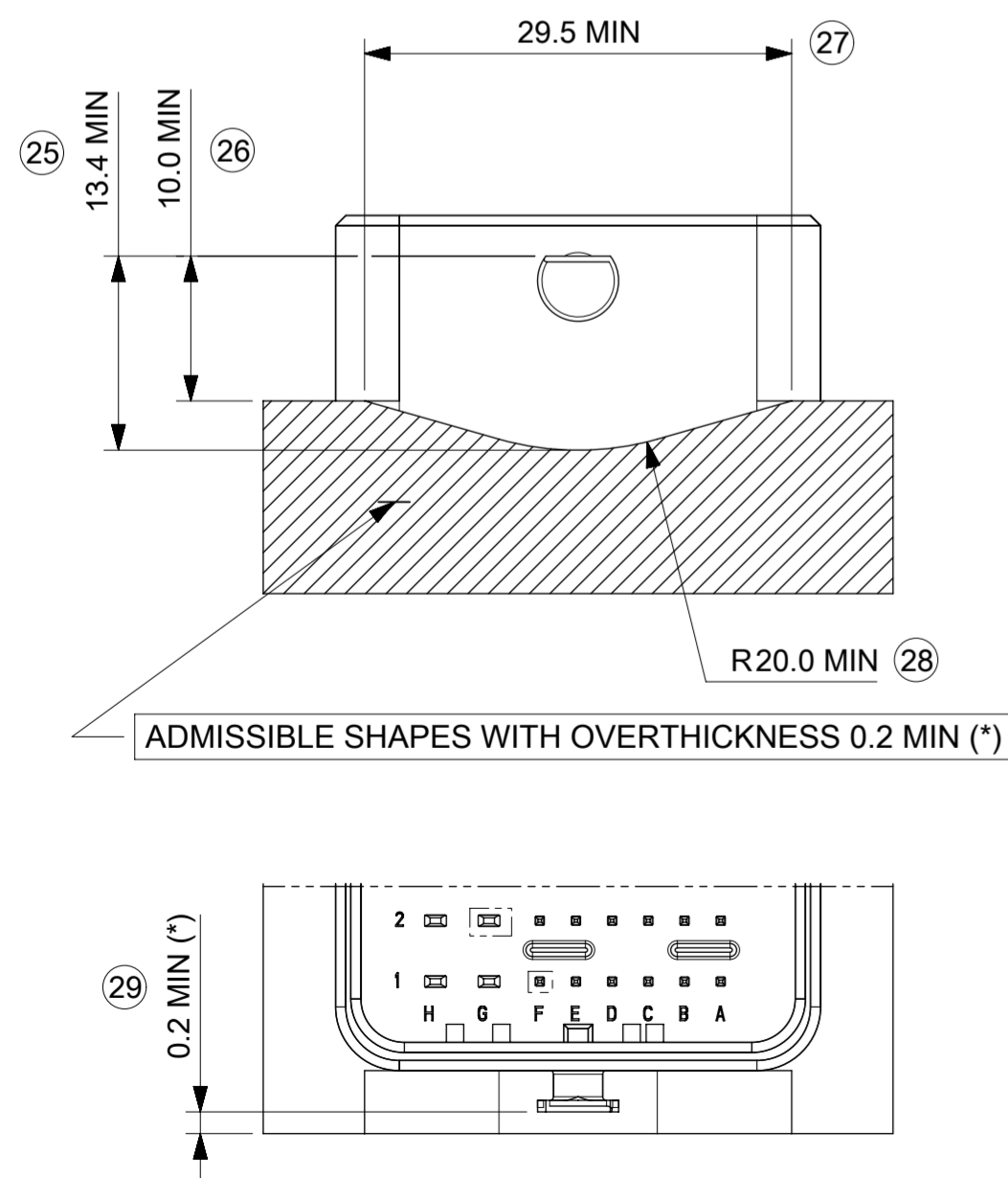


1 : SHAPES ALLOWED

LOCKING AXIS PROTECTION

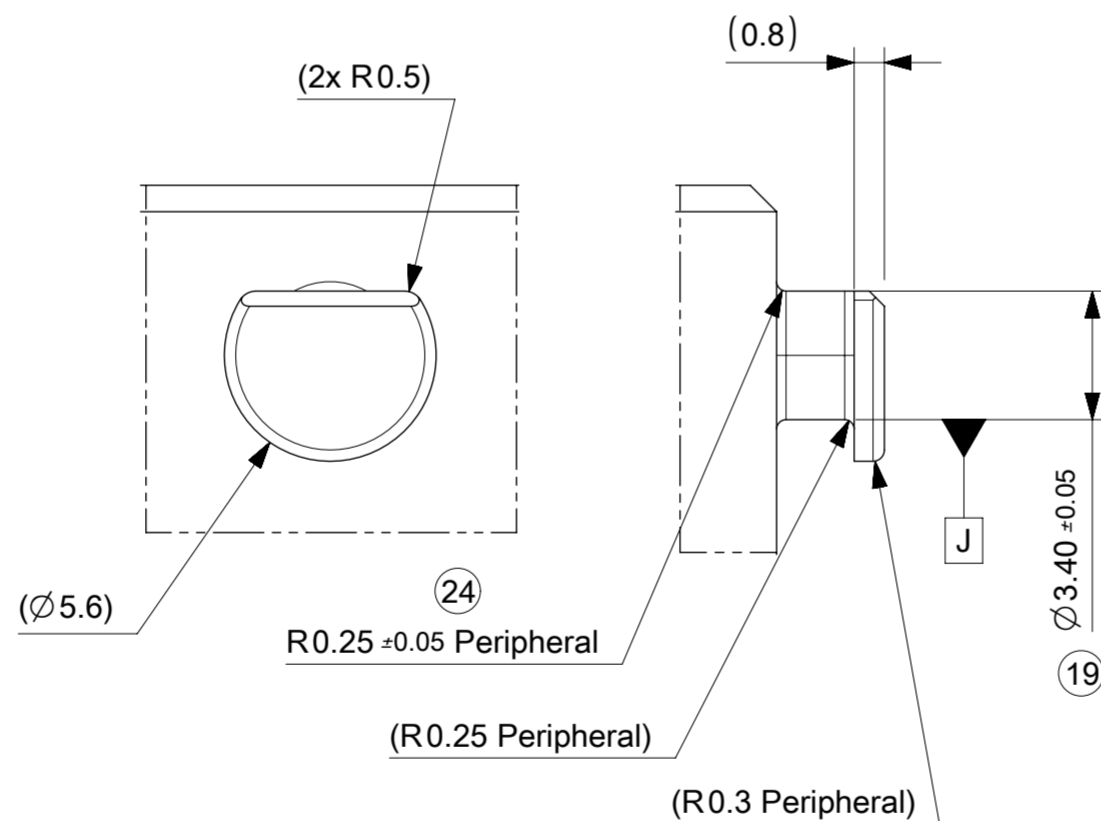
5:1

MANDATORY OVERTHICKNESS: dimension noted (*)
IF THE LOCKING AXIS ARE OUT OF
EQUIPMENT OVERALL DIMENSIONS.



LOCKING AXIS DEFINITION

5:1



THIS DRAWING CONTAINS INFORMATION THAT IS PROPRIETARY TO MOLEX ELECTRONIC TECHNOLOGIES, LLC AND SHOULD NOT BE USED WITHOUT WRITTEN PERMISSION

DIMENSION UNITS		SCALE		CURRENT REV DESC: NX RE-MASTERING			
mm		1:1					
GENERAL TOLERANCES (UNLESS SPECIFIED)							
ANGULAR TOL		± 2.0°		EC NO: 603689			
4 PLACES		± 0.1		DRWN: GMANIVANNAN 2018/07/17			
3 PLACES		± 0.1		CHK'D: OPLESSIS 2018/08/31			
2 PLACES		± 0.1		APPR: SLAFAURE 2018/09/03			
1 PLACE		± 0.1		INITIAL REVISION:			
0 PLACES		±		DRWN: GDESBRUERES 2008/10/02			
				APPR: OPLESSIS 2008/10/06			
DRAFT WHERE APPLICABLE MUST REMAIN WITHIN DIMENSIONS		FIRST ANGLE PROJECTION		DRAWING		SERIES	
		A2-SIZE		98644		MATERIAL NUMBER	
				N/A		CUSTOMER	
				GENERAL MARKET		SHEET NUMBER	
				2 OF 3			

molex

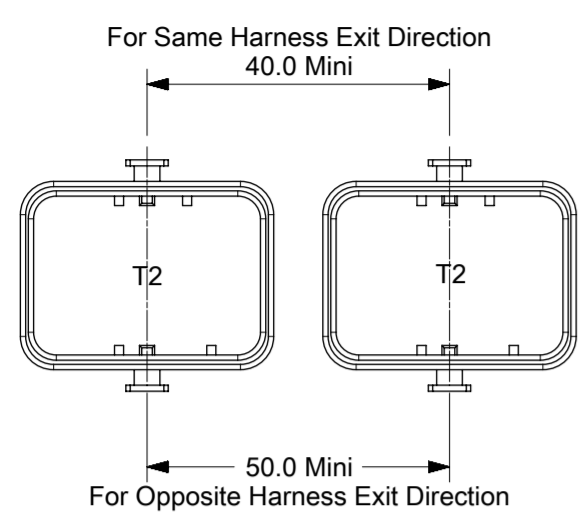
32 & 48CKT CMC INTERFACE

PRODUCT CUSTOMER DRAWING

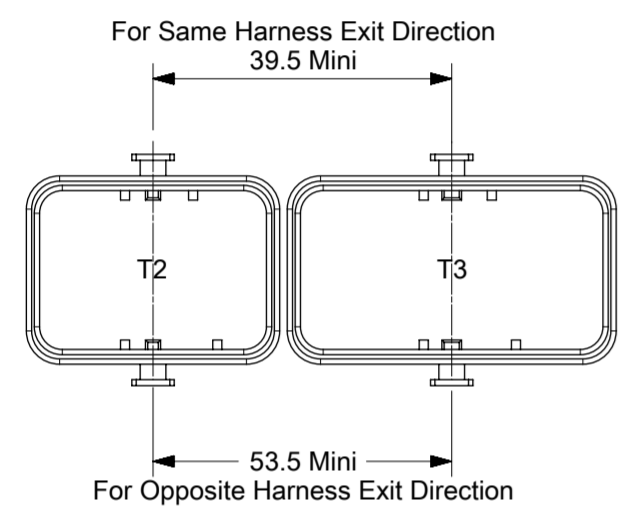
DOCUMENT NUMBER	DOC TYPE	DOC PART	REVISION
SD-98644-006	PSD	001	B1

DOCUMENT STATUS	P1	RELEASE DATE	2018/09/03	08:17:38
-----------------	----	--------------	------------	----------

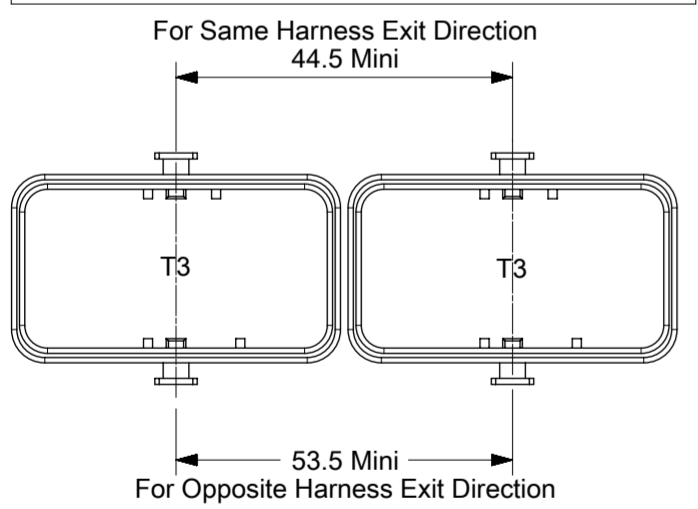
LAYOUT FOR TWO INTERFACES T2 (32W)



LAYOUT FOR TWO INTERFACES T2 (32W) AND T3 (48W)



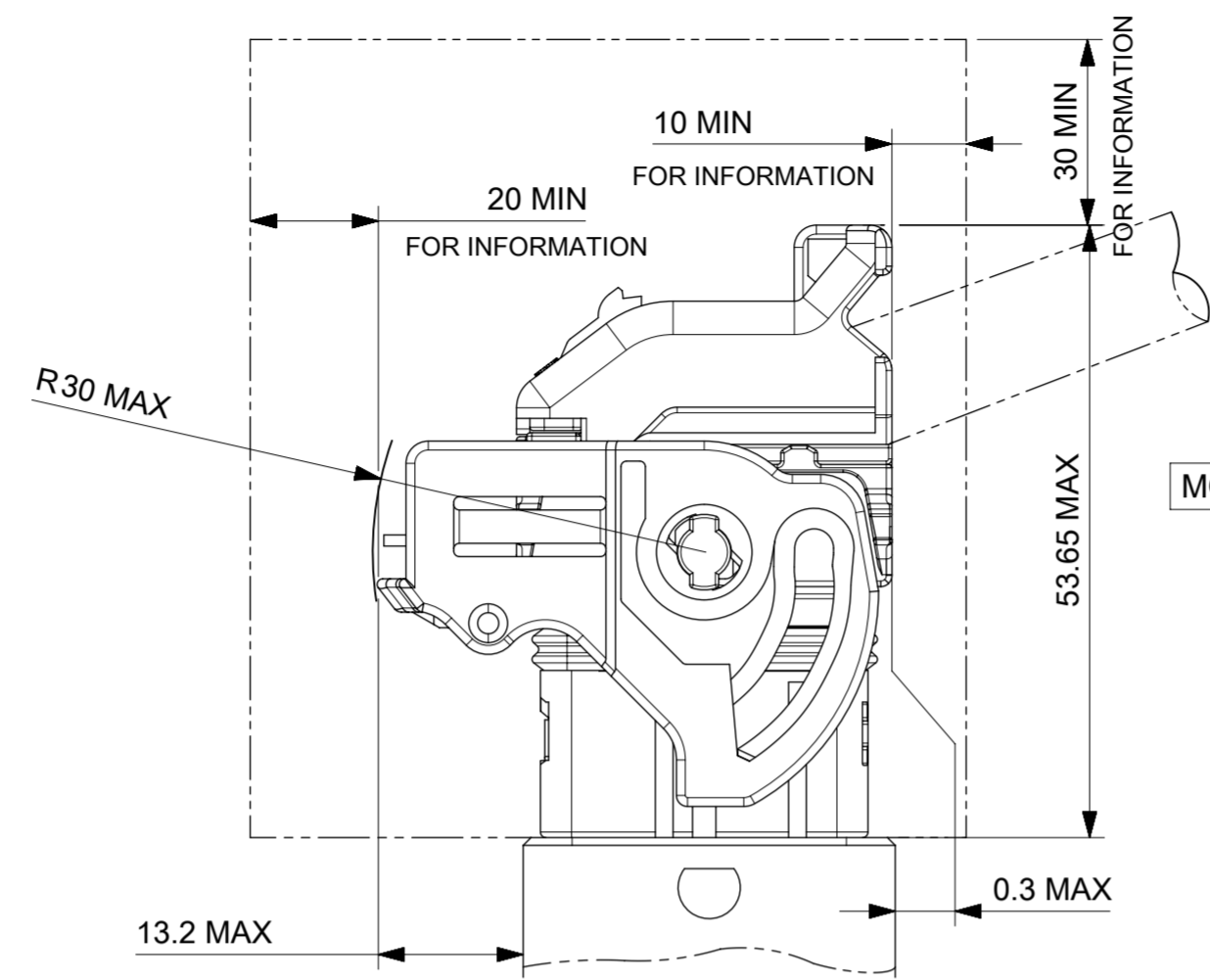
LAYOUT FOR TWO INTERFACES T3 (48W)



MULTI - HEADERS LAYOUT

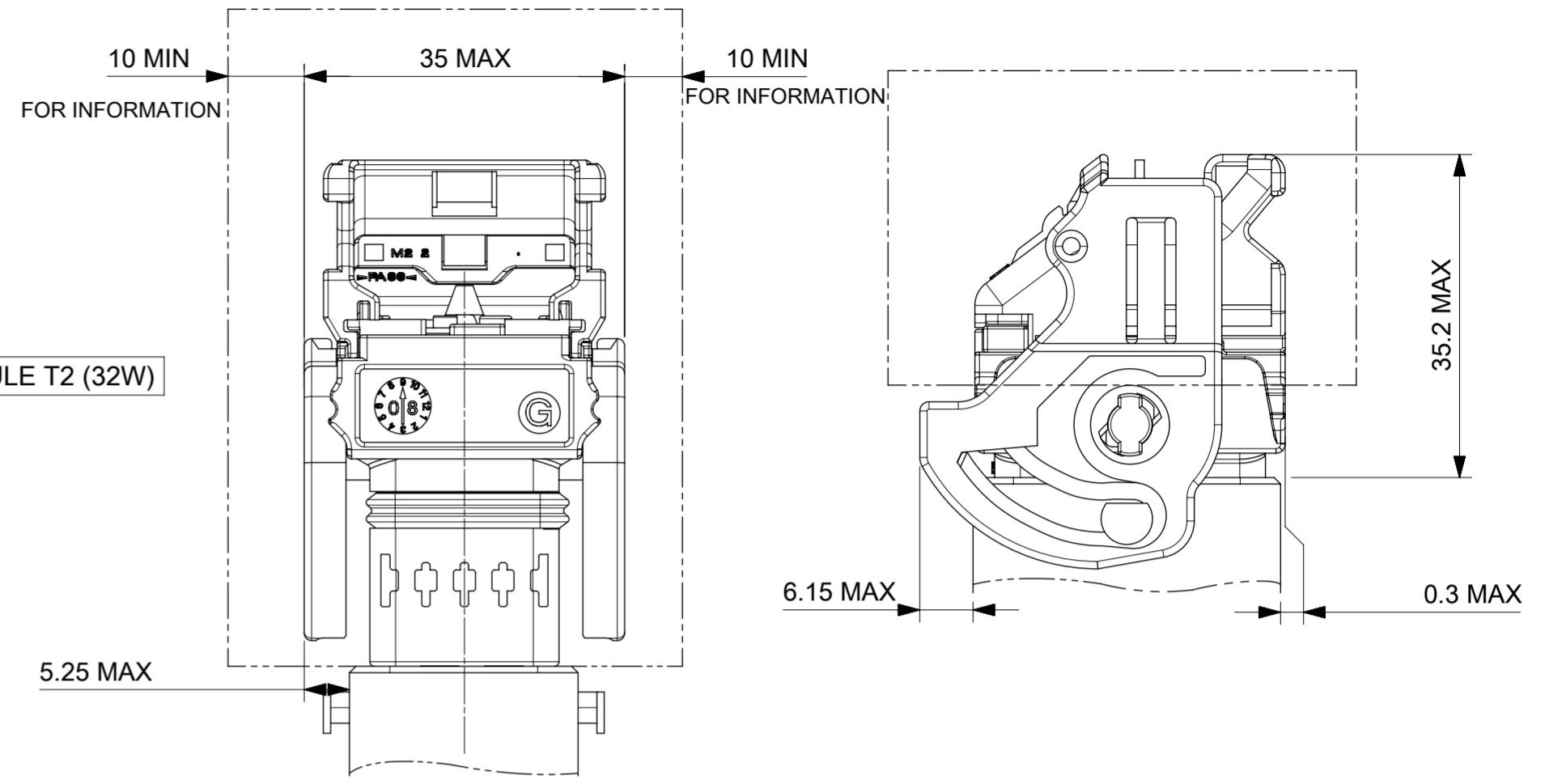
CONNECTOR ON HEADER - OVERALL DIMENSIONS

UNLOCKED CONNECTOR - OVERALL DIMENSIONS

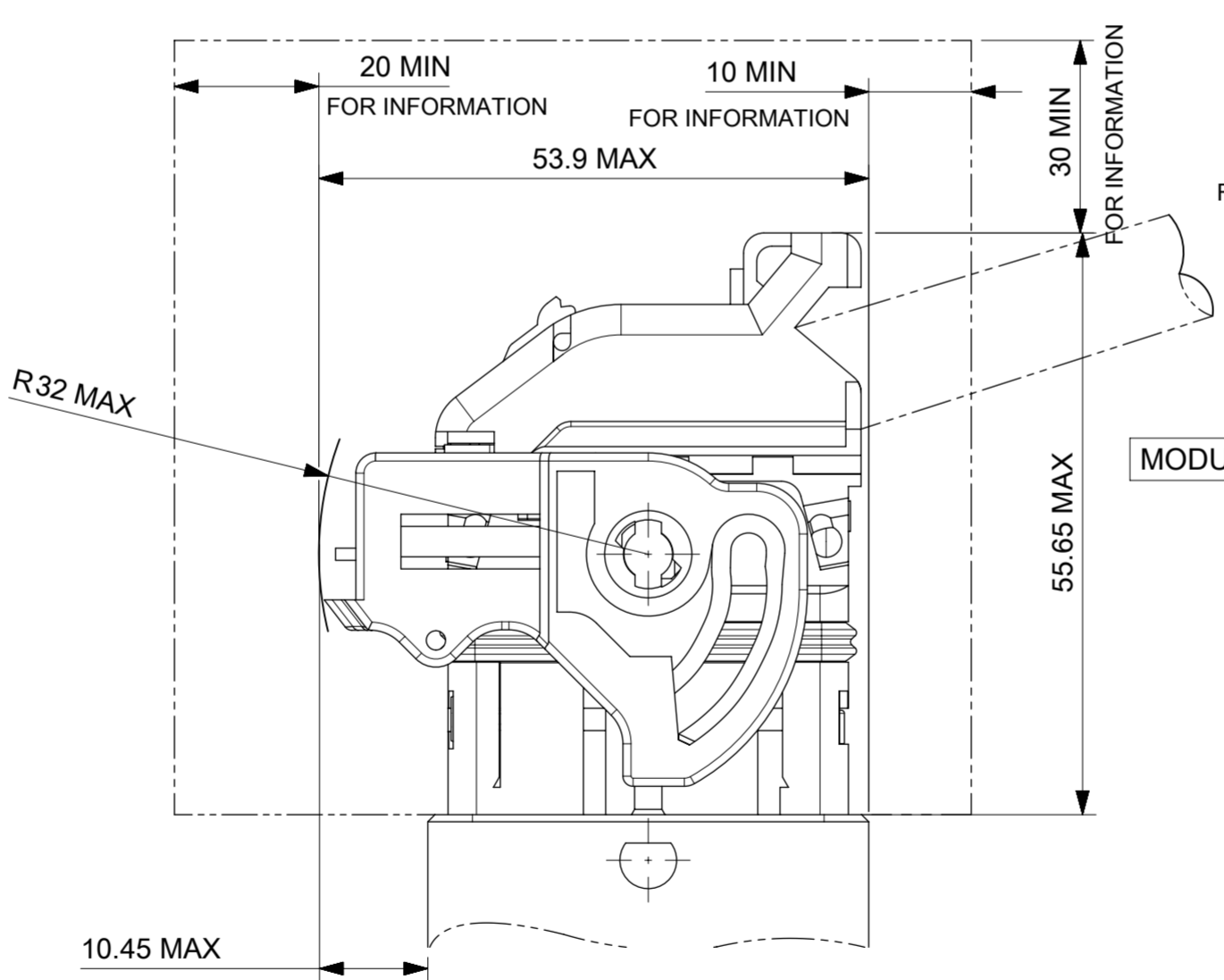


MODULE T2 (32W)

LOCKED CONNECTOR - OVERALL DIMENSIONS

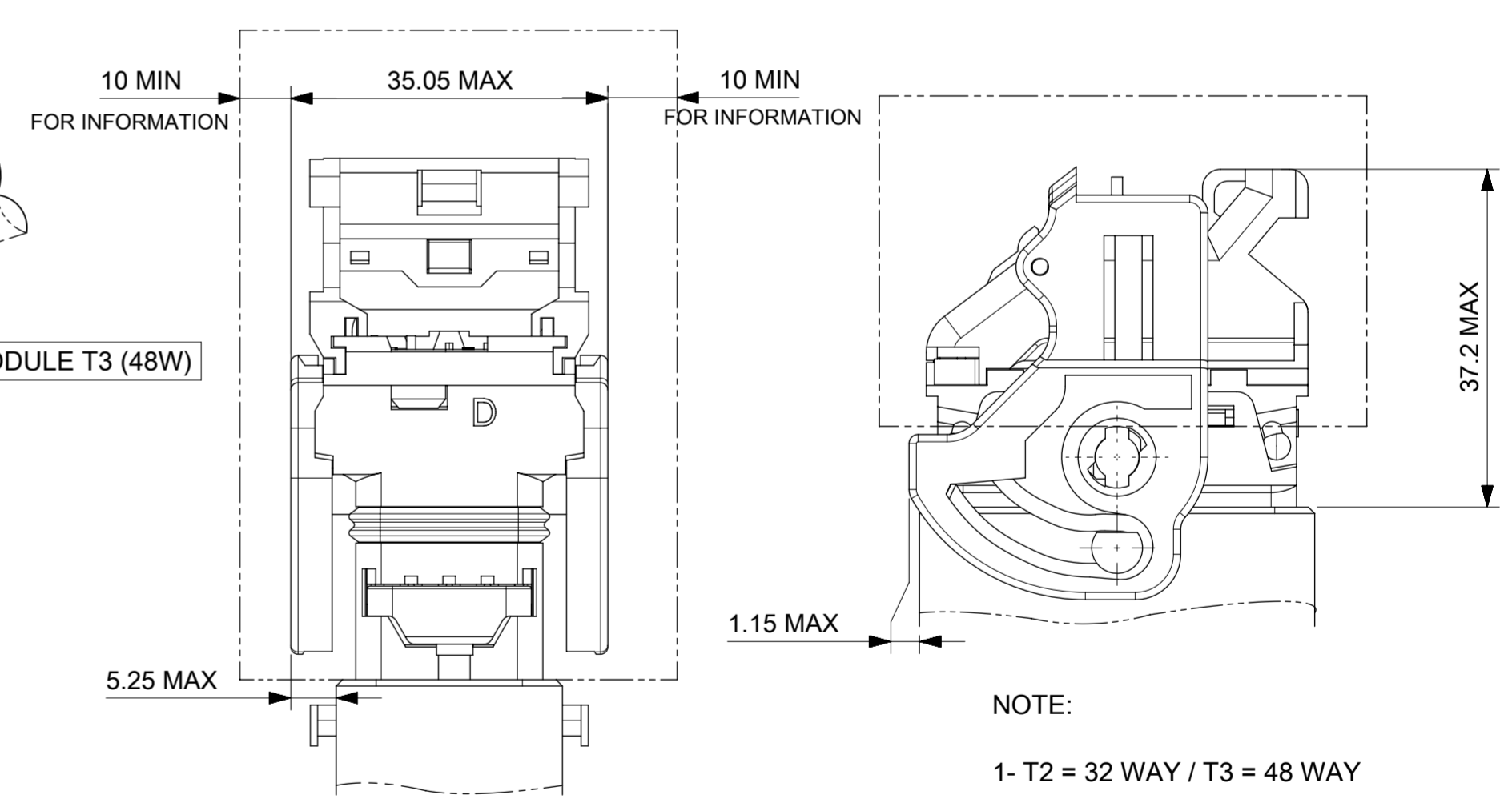


UNLOCKED CONNECTOR - OVERALL DIMENSIONS

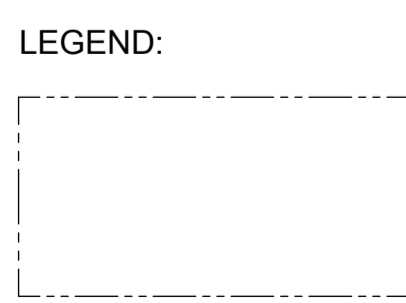


MODULE T3 (48W)

LOCKED CONNECTOR - OVERALL DIMENSIONS



NOTE:
1- T2 = 32 WAY / T3 = 48 WAY



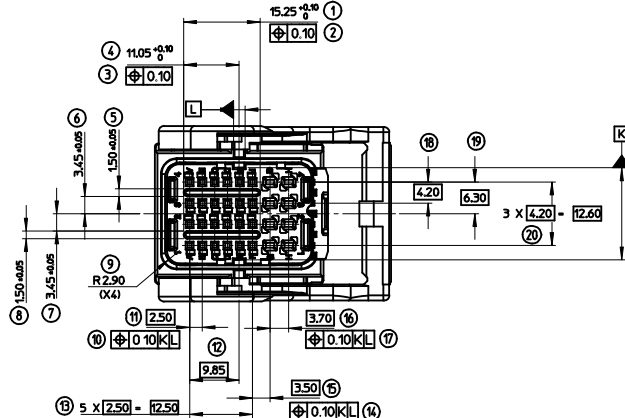
LEGEND:
FREE VOLUME FOR MANUAL LOCKING AND UNLOCKING
DIMENSIONS GIVEN FOR INFORMATION ONLY BE
CONFIRMED BASED UPON VEHICLE CONFIGURATION.

THIS DRAWING CONTAINS INFORMATION THAT IS PROPRIETARY TO MOLEX ELECTRONIC TECHNOLOGIES, LLC AND SHOULD NOT BE USED WITHOUT WRITTEN PERMISSION

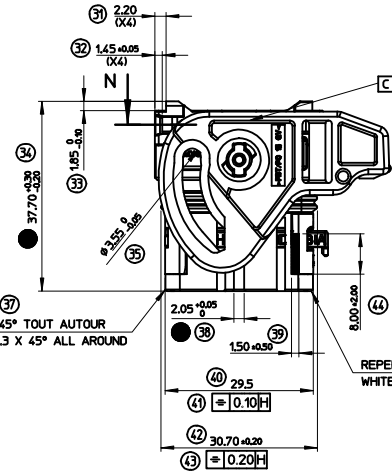
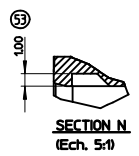
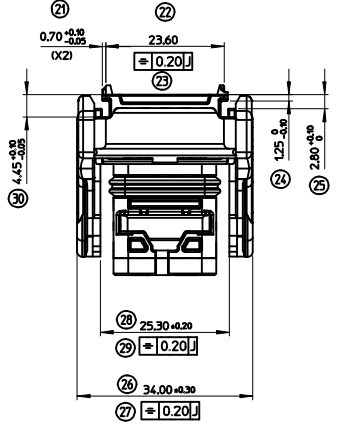
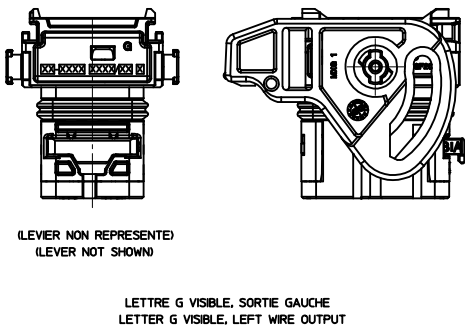
DIMENSION UNITS	SCALE	CURRENT REV DESC: NX RE-MASTERING	
mm	1:1		
GENERAL TOLERANCES (UNLESS SPECIFIED)			
ANGULAR TOL	± 2.0°	EC NO:	603689
4 PLACES	± 0.1	DRWN:	SLAFAURE 2018/07/17
3 PLACES	± 0.1	CHK'D:	OPLESSIS 2018/08/31
2 PLACES	± 0.1	APPR:	SLAFAURE 2018/09/03
1 PLACE	± 0.1	INITIAL REVISION:	
0 PLACES	±	DRWN:	GDESBRUERES 2008/10/02
		APPR:	OPLESSIS 2008/10/06
DRAFT WHERE APPLICABLE MUST REMAIN WITHIN DIMENSIONS	FIRST ANGLE PROJECTION	DRAWING	SERIES
		A2-SIZE	98644

molex			
32 & 48CKT CMC INTERFACE			
PRODUCT CUSTOMER DRAWING			
DOCUMENT NUMBER	DOC TYPE	DOC PART	REVISION
SD-98644-006	PSD	001	B1
MATERIAL NUMBER	CUSTOMER	SHEET NUMBER	
N/A	GENERAL MARKET	3 OF 3	

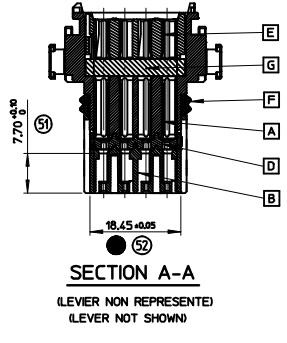
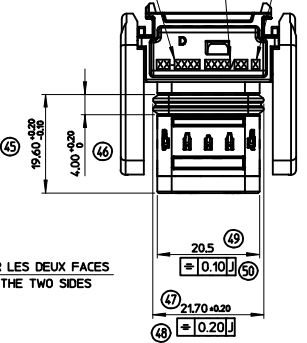
INDICATION DIMENSIONS S.P.C DENOTES S.P.C DIMENSIONS
INDICATION DIMENSIONS CRITIQUES DENOTES CRITICAL DIMENSIONS
INDICATION DIMENSIONS FONCTIONNELLES DENOTES FUNCTIONAL DIMENSIONS
QUANTITE PAR FEUILLE INDIVIDUELLE QUANTITY PER INDIVIDUAL SHEET
 □ = 0 ● = 0 ● = 3



PORTE-CLIPS 32 VOIES SORTIE DROITE FEMALE MODULE 32 WAY RIGHT WIRE OUTPUT		REF. MOLEX / MOLEX P/N	COULEUR/COULEUR
0989442001	NOIR/BLACK		
0989442002	GRIS/GREY		
0989442003	MARRON/BROWN		
0989442004	VERT/VERT GREEN		
0989442005	BLEU/BLUE		
PORTE-CLIPS 32 VOIES SORTIE GAUCHE FEMALE MODULE 32 WAY LEFT WIRE OUTPUT		REF. MOLEX / MOLEX P/N	COULEUR/COULEUR
0989443001	NOIR/BLACK		
0989443002	GRIS/GREY		
0989443003	MARRON/BROWN		
0989443004	VERT/VERT GREEN		
0989443005	BLEU/BLUE		



REFERENCE MOLEX MOLEX PART NUMBER
 QUANTITE/ANNEE DE L'ASSEMBLAGE DAY IN YEAR/YEAR OF ASSEMBLY
 INDICE DE REVISION DU PLAN CLIENT CUSTOMER DRAWING REVISION LEVEL

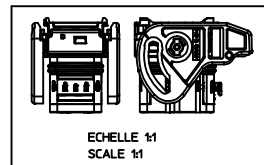


CH. 0.3 X 45° TOUT AROUND
 CHAMFER 0.3 X 45° ALL AROUND

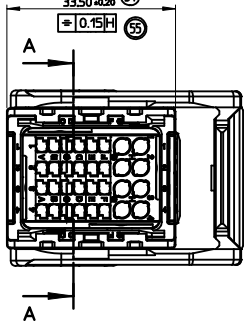
REPERE BLANC SUR LES DEUX FACES
 WHITE MARKING ON THE TWO SIDES

NOTES:

- LE PORTE-CLIPS ASSEMBLE REPRESENTE EST LA VERSION SORTIE DROITE CODAGE 1 FOR ILLUSTRATION PURPOSE THE FEMALE MODULE SHOWN IS THE RIGHT WIRE OUTPUT VERSION CODING 1
- IMPLANTATION DES CLIPS, ENCOMBREMENTS, DETROMPAGE SUIVANT INTERFACE CONNECTIQUE PSA STE 9629500099 ET RENAULT 7710 001 079 CLIPS LAYOUT, CODING FOLLOWING PSA INTERFACE CONNECTIQUE STE 9629500099 AND RENAULT 7710 001 079
- REFERENCE DES CONNEXIONS SUIVANT STE 9637276380 ET STE 9628421380 TERMINAL PART NUMBER FOLLOWING STE 9637276380 AND STE 9628421380
- PRODUIT CONFORME A LA SPECIFICATION PSA STE 9629568099 PRODUCT IN ACCORDANCE WITH PSA SPECIFICATION STE 9629568099
- CAHIER DE PRECONISATION : RAS-98644-005 APPLICATION SPECIFICATION : RAS-98644-005
- LE PORTE-CLIPS EQUIPE S'ASSEMBLE AVEC LE CAPOT REFERENCE : 0986491003 THE ASSEMBLED FEMALE MODULE IS ASSEMBLED WITH THE COVER PART NUMBER : 0986491003
- POIDS PIECE: 30.275 g PART WEIGHT: 30.275 g



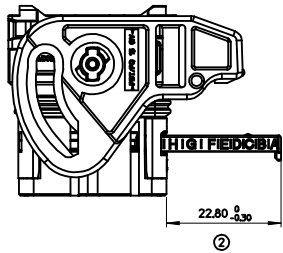
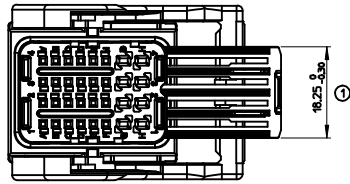
REF. MOLEX MOLEX PART NUMBER	REP.	DESIGNATION	MATIERE/MATERIAL	COULEUR/COULEUR
0986570001	G	JOINT GEL GROMMET GEL GROMMET SEAL	SILICONE	BLEU/BLUE
0986560001	F	JOINT INTERFACIAL PERIMETER SEAL	SILICONE	BLEU/BLUE
0986481001	E	GRILLE DE COMPRESSION REAR SEAL COVER	PBTP 20% GF.	BLEU/BLUE
0986471001	D	DOUBLE VERROUILLAGE SECONDARY LOCKING	PBTP 30% GF.	VERT/GREEN
0986461001	C	LEVER/LEVER	PBT/PC 15% GF.	GRIS/GREY
0986451005		BOTIER INFERIEUR BOTTOM HOUSING	PBTP 20% GF.	BLEU/BLUE
0986451004				VERT/GREEN
0986451003	B			MARRON/BROWN
0986451002				GRIS/GREY
0986451001				NOIR/BLACK
0986441001	A	BOTIER SUPERIEUR TOP HOUSING	PBTP 20% GF.	NOIR/BLACK



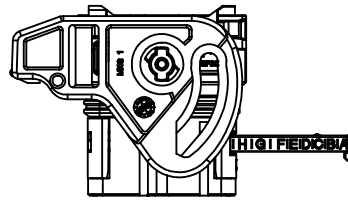
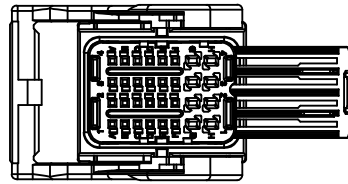
EC NO.: G2009-0313 DRW: PGRANICLZ009/06/18 CHKD: PDECHELEZ009/06/18 APPR: CBOLCHANZ009/06/18	GENERAL TOLERANCES (UNLESS SPECIFIED) DIMENSION STYLE: MM ONLY 4 PLACES ± 0.10 3 PLACES ± 0.10 2 PLACES ± 0.10 1 PLACE ± 0.15 ANGULAR ± 1°	SCALE 2:1 DESIGN UNITS METRIC DIMENSION STYLE MM ONLY	FIRST ANGLE PROJECTION REVISE ON CAD ONLY
	DRAFT WHERE APPLICABLE MUST REMAIN WITHIN DIMENSIONS	DRAWN BY PGR DATE 99/12/12 CHECKED BY PDE DATE 00/02/02 APPROVED BY CBO DATE 00/02/02	TITLE: PORTE-CLIPS 32 VOIES CMC FEMALE MODULE CMC 32 WAY SALES DRAWING MATERIAL NO.: SEE CHART SD-98944-010 DOCUMENT NO.: SHEET NO.: 1 OF 2
	MOLEX INCORPORATED	THIS DRAWING CONTAINS INFORMATION THAT IS PROPRIETARY TO MOLEX INCORPORATED AND SHOULD NOT BE USED WITHOUT WRITTEN PERMISSION	A1
	SHEET NO. 1 OF 2		

ENCOMBREMENT PORTE-CLIPS D.V. POSITION MONTAGE CLIP
FEMALE MODULE LAYOUT SECONDARY LOCKING POSITION FOR CLIP ASSEMBLY

PORTE-CLIPS SORTIE DROITE
FEMALE MODULE RIGHT WIRE OUTPUT

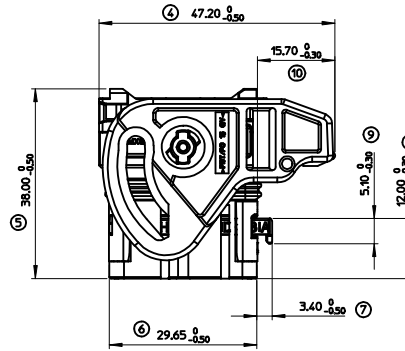
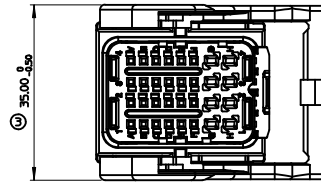


PORTE-CLIPS SORTIE GAUCHE
FEMALE MODULE LEFT WIRE OUTPUT

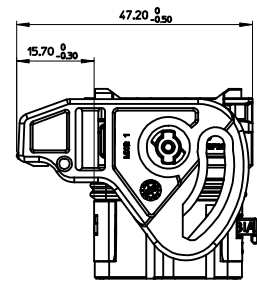
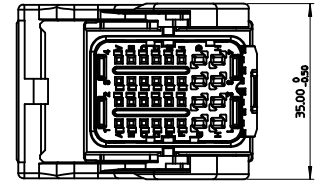


ENCOMBREMENT PORTE-CLIPS D.V. POSITION LIVRAISON
FEMALE MODULE LAYOUT SECONDARY LOCKING IN DELIVERY POSITION

PORTE-CLIPS SORTIE DROITE
FEMALE MODULE RIGHT WIRE OUTPUT

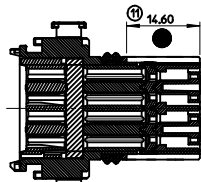
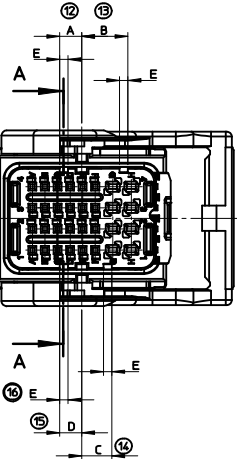


PORTE-CLIPS SORTIE GAUCHE
FEMALE MODULE LEFT WIRE OUTPUT



POSITION DES DETROMPAGE
CODING POSITION

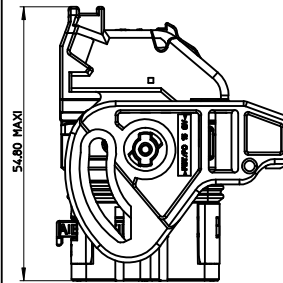
COULEUR/COLOUR	DETROMPAGE/CODING	A ^{+0.10} / ₀	B ^{+0.10} / ₀	C ^{+0.10} / ₀	D ^{+0.10} / ₀	E ^{+0.10} / ₀
NOIR/BLACK	1	4.40	9.15	5.95	4.40	1.65
GRIS/GREY	2	5.95	7.60	9.15	5.95	1.65
MARRON/BROWN	3	7.60	5.95	9.15	9.15	1.65
VERT/GREEN	4	9.15	7.60	4.40	4.40	1.65
BLEU/BLUE	5	7.60	4.40	5.95	5.95	1.65



SECTION A-A
(LEVER NON REPRESENTÉ)
(LEVER NOT SHOWN)

INDICATION DIMENSIONS S.P.C DENOTES S.P.C DIMENSIONS
 INDICATION DIMENSIONS CRITIQUES DENOTES CRITICAL DIMENSIONS
 INDICATION DIMENSIONS FONCTIONNELLES DENOTES FUNCTIONAL DIMENSIONS
 QUANTITE PAR FEUILLE INDIVIDUELLE
 QUANTITY PER INDIVIDUAL SHEET
 0 0 1

ENCOMBREMENT HORS-TOUT
OVERALL DIMENSION



CONTACTS
FEMALE TERMINAL

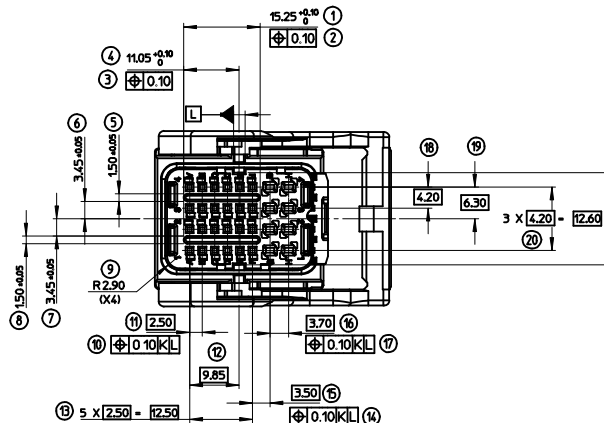
REPERE ALVEOLES CAVITIES NUMBER	CONTACTS FEMALE TERMINAL	REF. MOLEX MOLEX P/N	DIAMETRE ISOLANT FIL MINI / MAXI MIN / MAX WIRE INSULATION DIAMETER	
A1 à F1	CLIP 0,63 (0.35mm2 à 0.60mm2)	0986581211	Ø125 min / Ø190 max	
A2 à F2		0986581213		
A3 à F3		CLIP 0,63 (0.75mm2)	0986581212	Ø160 min / Ø190 max
A4 à F4			0989151029	Ø140 min / Ø215 max
G1 à G4	CLIP 1,5 (> 1mm2 à 2mm2)	0989151029	Ø225 min / Ø265 max	
H1 à H4		0989151039		

EC NO: G2009-0313 DRW: PGRANDL2009/06/18 CHK: DCEHELEZ09/06/18 APPR: CBOUCHANZ09/06/18	GENERAL TOLERANCES (UNLESS SPECIFIED)	SCALE 2:1	DESIGN UNITS METRIC	FIRST ANGLE PROJECTION	REVISE ON CAD ONLY
	DIMENSION STYLE MM ONLY	DRAWN BY PGR	DATE 99/12/12	TITLE PORTE-CLIPS 32 VOIES CMC FEMALE MODULE CMC 32 WAY SALES DRAWING	
	CHECKED BY PDE	DATE 00/02/02	MOLEX MOLEX INCORPORATED		SHEET NO. 2 OF 2
	APPROVED BY CBO	DATE 00/02/02	MATERIAL NO. SEE CHART	DOCUMENT NO. SD-98944-010	A1

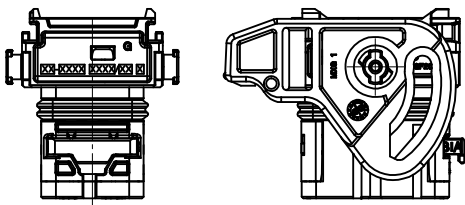
DRAFT WHERE APPLICABLE
MUST REMAIN
WITHIN DIMENSIONS

THIS DRAWING CONTAINS INFORMATION THAT IS PROPRIETARY TO MOLEX
INCORPORATED AND SHOULD NOT BE USED WITHOUT WRITTEN PERMISSION

INDICATION DIMENSIONS S.P.C DENOTES S.P.C DIMENSIONS
 INDICATION DIMENSIONS CRITIQUES DENOTES CRITICAL DIMENSIONS
 INDICATION DIMENSIONS FONCTIONNELLES DENOTES FUNCTIONAL DIMENSIONS
 QUANTITE PAR FEUILLE INDIVIDUELLE QUANTITY PER INDIVIDUAL SHEET
 X = 0 X = 0 X = 3

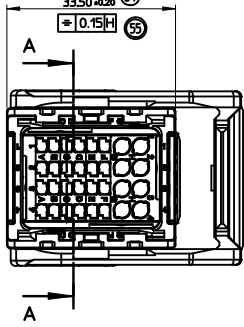
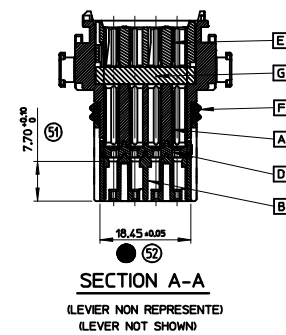
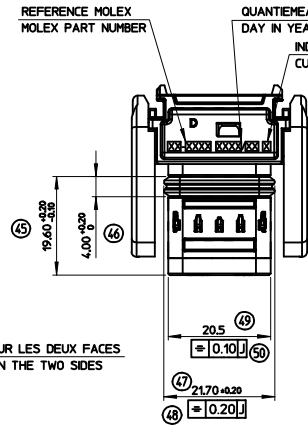
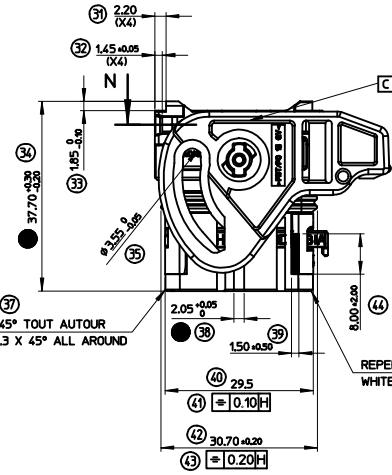
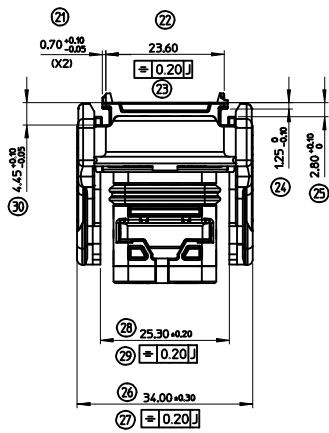


PORTE-CLIPS 32 VOIES SORTIE DROITE FEMALE MODULE 32 WAY RIGHT WIRE OUTPUT		COULEUR/COULEUR
REF. MOLEX / MOLEX P/N		
0989442001		NOIR/BLACK
0989442002		GRIS/GREY
0989442003		MARRON/BROWN
0989442004		VERT/GREEN
0989442005		BLEU/BLUE
PORTE-CLIPS 32 VOIES SORTIE GAUCHE FEMALE MODULE 32 WAY LEFT WIRE OUTPUT		COULEUR/COULEUR
REF. MOLEX / MOLEX P/N		
0989443001		NOIR/BLACK
0989443002		GRIS/GREY
0989443003		MARRON/BROWN
0989443004		VERT/GREEN
0989443005		BLEU/BLUE

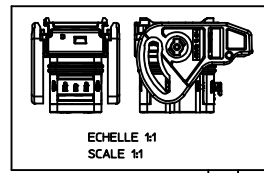


(LEVIER NON REPRESENTE)
(LEVER NOT SHOWN)

LETTRE G VISIBLE, SORTIE GAUCHE
LETTER G VISIBLE, LEFT WIRE OUTPUT



- NOTES:
- LE PORTE-CLIPS ASSEMBLE REPRESENTE EST LA VERSION SORTIE DROITE CODAGE 1
FOR ILLUSTRATION PURPOSE THE FEMALE MODULE SHOWN IS THE RIGHT WIRE OUTPUT VERSION CODING 1
 - IMPLANTATION DES CLIPS, ENCOMBREMENTS, DETROMPAGE SUIVANT INTERFACE CONNECTIQUE PSA STE 9629500099 ET RENAULT 7710 001 079
CLIPS LAYOUT, CODING FOLLOWING PSA INTERFACE CONNECTIQUE STE 9629500099 AND RENAULT 7710 001 079
 - REFERENCE DES CONNEXIONS SUIVANT STE 9637276380 ET STE 9628421380
TERMINAL PART NUMBER FOLLOWING STE 9637276380 AND STE 9628421380
 - PRODUIT CONFORME A LA SPECIFICATION PSA STE 9629568099
PRODUCT IN ACCORDANCE WITH PSA SPECIFICATION STE 9629568099
 - CAHIER DE PRECONISATION : RAS-98644-005
APPLICATION SPECIFICATION : RAS-98644-005
 - LE PORTE-CLIPS EQUIPE S'ASSEMBLE AVEC LE CAPOT REFERENCE : 0986491003
THE ASSEMBLED FEMALE MODULE IS ASSEMBLED WITH THE COVER PART NUMBER : 0986491003
 - POIDS PIECE: 30,275 g
PART WEIGHT: 30.275 g

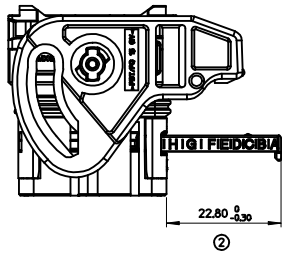
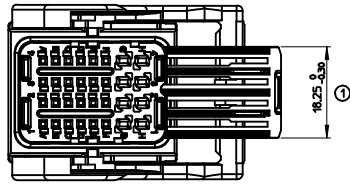


0986570001	G	JOINT GEL GROMMET GEL GROMMET SEAL	SILICONE	BLEU/BLUE
0986560001	F	JOINT INTERFACIAL PERIMETER SEAL	SILICONE	BLEU/BLUE
0986481001	E	GRILLE DE COMPRESSION REAR SEAL COVER	PBTP 20% GF.	BLEU/BLUE
0986471001	D	DOUBLE VERROUILLAGE SECONDARY LOCKING	PBTP 30% GF.	VERT/GREEN
0986461001	C	LEVIER/LEVER	PBT/PC 15% GF.	GRIS/GREY
0986451005	B	BOTIER INFERIEUR BOTTOM HOUSING	PBTP 20% GF.	BLEU/BLUE
0986451004				VERT/GREEN
0986451003				MARRON/BROWN
0986451002				GRIS/GREY
0986451001	A	BOTIER SUPERIEUR TOP HOUSING	PBTP 20% GF.	NOIR/BLACK
REF. MOLEX MOLEX PART NUMBER	REP.	DESIGNATION	MATIERE/MATERIAL	COULEUR/COULEUR

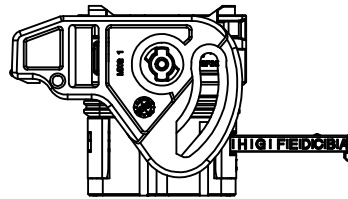
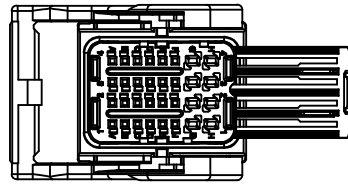
EC NO: G2009-0313 DRW: PGRANICLZ009/06/18 CHKD: PDECHELEZ009/06/18 APPR: CBOUCHANZ009/06/18	GENERAL TOLERANCES (UNLESS SPECIFIED)	SCALE 2:1	DESIGN UNITS METRIC	FIRST ANGLE PROJECTION	REVISE ON CAD ONLY	
	4 PLACES ± --- ± --- 3 PLACES ± --- ± --- 2 PLACES ± 0.10 ± --- 1 PLACE ± 0.15 ± --- ANGULAR ± 1°	DIMENSION STYLE MM ONLY DRAWN BY PGR DATE 99/12/12 CHECKED BY PDE DATE 00/02/02 APPROVED BY CBO DATE 00/02/02	TITLE	PORTE-CLIPS 32 VOIES CMC FEMALE MODULE CMC 32 WAY SALES DRAWING		
	DRAFT WHERE APPLICABLE MUST REMAIN WITHIN DIMENSIONS	MATERIAL NO. SEE CHART DOCUMENT NO. SD-98944-010 SHEET NO. 1 OF 2	MOLEX MOLEX INCORPORATED THIS DRAWING CONTAINS INFORMATION THAT IS PROPRIETARY TO MOLEX INCORPORATED AND SHOULD NOT BE USED WITHOUT WRITTEN PERMISSION			
	C2					A1

ENCOMBREMENT PORTE-CLIPS D.V. POSITION MONTAGE CLIP
FEMALE MODULE LAYOUT SECONDARY LOCKING POSITION FOR CLIP ASSEMBLY

PORTE-CLIPS SORTIE DROITE
FEMALE MODULE RIGHT WIRE OUTPUT

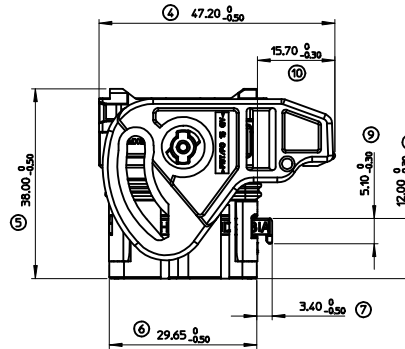
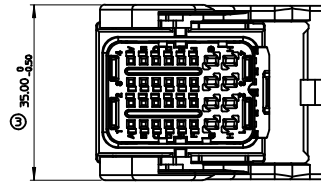


PORTE-CLIPS SORTIE GAUCHE
FEMALE MODULE LEFT WIRE OUTPUT

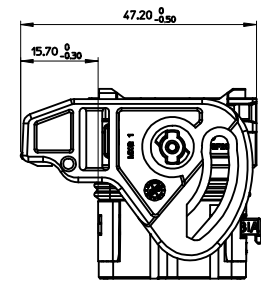
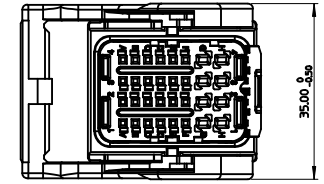


ENCOMBREMENT PORTE-CLIPS D.V. POSITION LIVRAISON
FEMALE MODULE LAYOUT SECONDARY LOCKING IN DELIVERY POSITION

PORTE-CLIPS SORTIE DROITE
FEMALE MODULE RIGHT WIRE OUTPUT

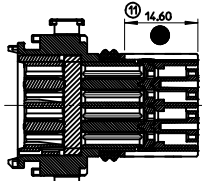
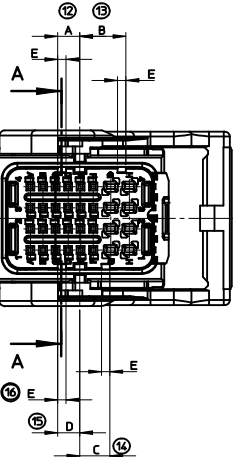


PORTE-CLIPS SORTIE GAUCHE
FEMALE MODULE LEFT WIRE OUTPUT



POSITION DES DETROMPAGE
CODING POSITION

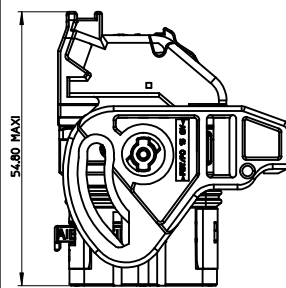
COULEUR/COLOUR	DETROMPAGE/CODING	A ^{+0.10} / ₀	B ^{+0.10} / ₀	C ^{+0.10} / ₀	D ^{+0.10} / ₀	E ^{+0.10} / ₀
NOIR/BLACK	1	4.40	9.15	5.95	4.40	1.65
GRIS/GREY	2	5.95	7.60	9.15	5.95	1.65
MARRON/BROWN	3	7.60	5.95	9.15	9.15	1.65
VERT/GREEN	4	9.15	7.60	4.40	4.40	1.65
BLEU/BLUE	5	7.60	4.40	5.95	5.95	1.65



SECTION A-A
(LEVER NON REPRESENTÉ)
(LEVER NOT SHOWN)

INDICATION DIMENSIONS S.P.C DENOTES S.P.C DIMENSIONS
 INDICATION DIMENSIONS CRITIQUES DENOTES CRITICAL DIMENSIONS
 INDICATION DIMENSIONS FONCTIONNELLES DENOTES FUNCTIONAL DIMENSIONS
 QUANTITE PAR FEUILLE INDIVIDUELLE
 QUANTITY PER INDIVIDUAL SHEET
 0 0 1

ENCOMBREMENT HORS-TOUT
OVERALL DIMENSION



CONTACTS
FEMALE TERMINAL

REPERE ALVEOLES CAVITIES NUMBER	CONTACTS FEMALE TERMINAL	REF. MOLEX MOLEX P/N	DIAMETRE ISOLANT FIL MINI / MAXI MIN / MAX WIRE INSULATION DIAMETER
A1 à F1	CLIP 0,63 (0.35mm2 à 0.60mm2)	0986581211	Ø125 min / Ø190 max
A2 à F2		0986581213	
A3 à F3		0986581212	
A4 à F4		0986581212	
G1 à G4	CLIP 15 (0.5mm2 à 1mm2)	0989151029	Ø140 min / Ø215 max
H1 à H4		0989151039	

EC NO: G2009-0313
 DRW: PGRANDL2009/06/18
 CHK: DCEHELEZ09/06/18
 APPR: CBOUCHANZ09/06/18

GENERAL TOLERANCES (UNLESS SPECIFIED)	SCALE 2:1	DESIGN UNITS METRIC	FIRST ANGLE PROJECTION	REVISE ON CAD ONLY
4 PLACES ± --- ± ---	mm INCH	DIMENSION STYLE MM ONLY	TITLE	PORTE-CLIPS 32 VOIES CMC FEMALE MODULE CMC 32 WAY SALES DRAWING
3 PLACES ± --- ± ---		DRAWN BY PGR	DATE 99/12/12	
2 PLACES ± 0.10 ± ---		CHECKED BY PDE	DATE 00/02/02	
1 PLACE ± 0.15 ± ---		APPROVED BY CBO	DATE 00/02/02	
ANGULAR ± 1 °				
DRAFT WHERE APPLICABLE MUST REMAIN WITHIN DIMENSIONS		MATERIAL NO. SEE CHART SD-98944-010		
		DOCUMENT NO. SD-98944-010		SHEET NO. 2 OF 2
THIS DRAWING CONTAINS INFORMATION THAT IS PROPRIETARY TO MOLEX INCORPORATED AND SHOULD NOT BE USED WITHOUT WRITTEN PERMISSION				