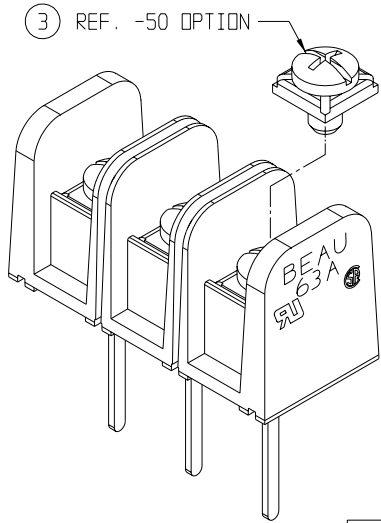
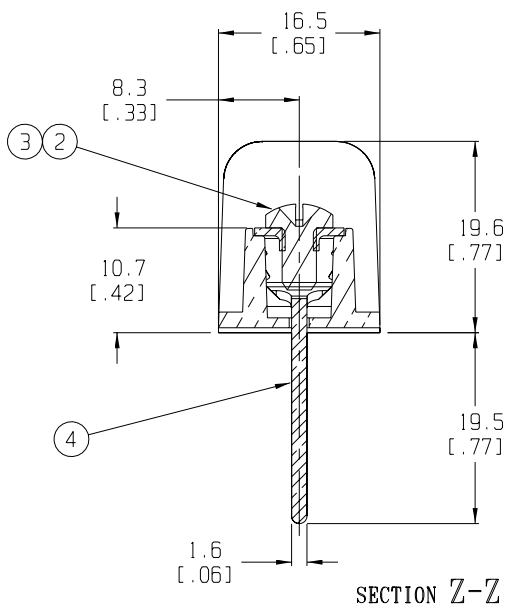
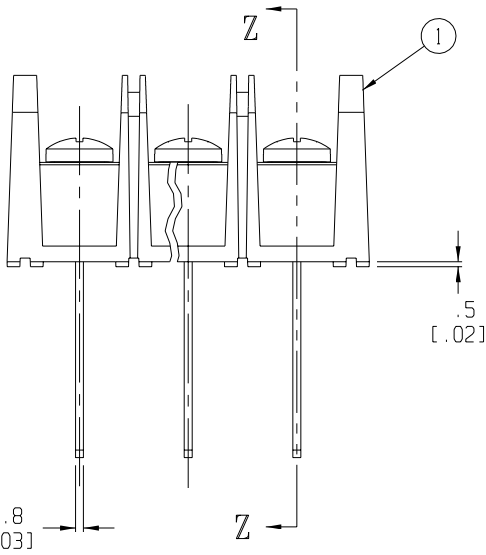


NOTES:

1. MATERIAL: SEE TABLE
2. FINISHES: SEE TABLE
3. PRODUCT SPECIFICATION: NOT REQUIRED
4. PACKAGING: NOT REQUIRED
5. MATES WITH: NONE
6. INCH DIMS ARE SHOWN IN PARENTHESIS (XXX)
7. "XX" REFERS TO QTY. OF CIRCUITS

MATERIAL NUMBER (STD.)	MATERIAL NUMBER (-50)	NO. OF CIRCUITS	A	B
386372102	386372402	2	25.9 (1.02)	11.13 (.438)
386372103	386372403	3	37.1 (1.46)	22.22 (.875)
386372104	386372404	4	48.3 (1.90)	33.35 (1.313)
386372105	386372405	5	59.2 (2.33)	44.45 (1.750)
386372106	386372406	6	70.4 (2.77)	55.57 (2.188)
386372107	386372407	7	81.5 (3.21)	66.67 (2.625)
386372108	386372408	8	92.7 (3.65)	77.80 (3.063)
386372109	386372409	9	103.6 (4.08)	88.90 (3.500)
386372110	386372410	10	114.8 (4.52)	100.03 (3.938)
386372111	386372411	11	125.9 (4.96)	111.13 (4.375)
386372112	386372412	12	137.2 (5.40)	122.25 (4.813)
386372113	386372413	13	148.1 (5.83)	133.35 (5.250)
386372114	386372414	14	159.3 (6.27)	144.45 (5.687)
386372115	386372415	15	170.4 (6.71)	155.58 (6.125)
386372116	386372416	16	181.6 (7.15)	166.70 (6.563)



ITEM	QTY.	DESCRIPTION	MATERIAL	FINISH
4	XX	TERMINAL, WIRE WRAP, EXTRA LG.	BRASS	TIN PLATE
3	XX	PAN HD. SCREW & WASHER, 6-32	BRASS	BRT.ZINC PLATE
2	XX	BINDING HD. SCREW, 6-32	STEEL	BRT.ZINC PLATE
1	1	BARRIER TERMINAL STRIP	PVC	BLACK

ECO 11339  
RELEASE  
R. STONE

EC NO.  
DRWN:  
CHK:  
APPR.

DESCRIPTION

REV

QUALITY SYMBOLS

MAJOR

CRITICAL

SPC

GENERAL TOLERANCES:  
(UNLESS SPECIFIED)

	mm	INCH
4 PLACES		±.0015
3 PLACES	±.038	±.005
2 PLACES	±.13	±.01
1 PLACE	±.3	

ANGULAR: ±2°

DRAFT WHERE APPLICABLE MUST REMAIN WITHIN DIMENSIONS

SCALE 2:1

DESIGN UNITS  mm  INCH

THIRD ANGLE PROJECTION

DRAWN BY & DATE R.STONE 3-26-03

CHECKED BY & DATE

APPROVED BY & DATE

CAD FILENAME 63A7XX-C-81-001

TITLE: 63A SERIES BTS, 600V, WIRE WRAP NO MTG. ENDS, EXTRA LG.

MATERIAL NO. SEE CHART

DRAWING NO. SD-38637-004

SHEET NO. 1 OF 1

SIZE B

PROJECT NO. E-656	I	-
DIMENSIONS:	SHT	REV
<input checked="" type="checkbox"/> mm <input type="checkbox"/> INCH		REVISE ON CAD ONLY