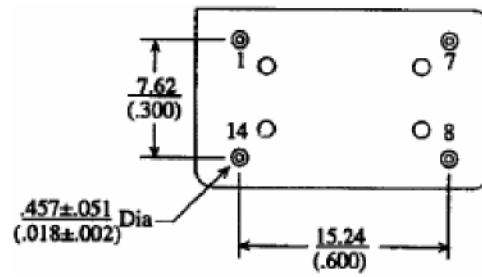
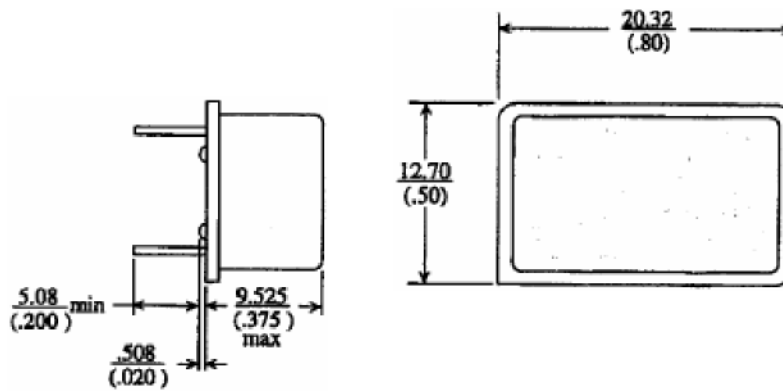


VTA7 Series

Frequency Range:	1.25 MHz to 100 MHz
Input Voltage:	A = 5.0v B = 3.3v C = 3.0v D = 2.8v
Output Logic:	TTL / CMOS
Pulling Range:	0 = TCXO, No Control Voltage 1 = ± 5 ppm 2 = ± 8 ppm 3 = ± 10 ppm
Frequency Stability:	1 = ± 1 ppm B = ± 1.5 ppm 2 = ± 2 ppm C = ± 2.5 ppm 3 = ± 3 ppm D = ± 3.5 ppm 4 = ± 4 ppm 5 = ± 5 ppm
Temperature Range:	A = 0 to 55° B = -10 to 60° C = -20 to 70° D = -30 to 75° E = -40 to 85°
Stability vs. Supply:	± 0.2 ppm max.
Aging (typical):	< 1.0ppm/year
Current:	35 mA max.
Phase Noise: (Typical)	-100dbc/hz @100Hz -125dbc/hz @1 kHz -140dbc/hz @100kHz

Rev1: 04/28/04



mm
(in.)

Pin 1: Voltage Control, Pin 7: Case Ground, Pin 8: Output, Pin 14: Supply