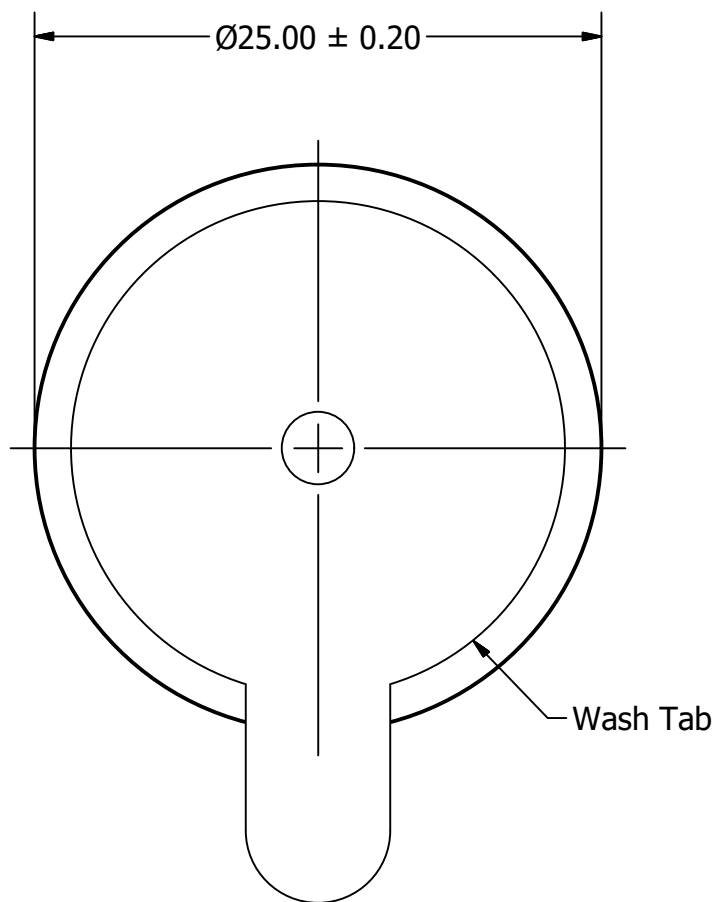


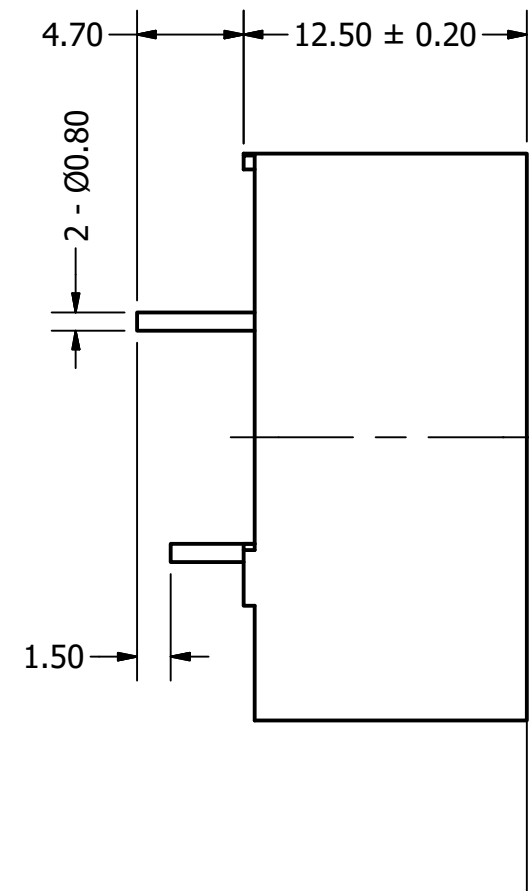
Part Number:	<b>TE251512-1</b>	
DESCRIPTION:	<b>Electro-Mechanical Transducer</b>	
DRAWN	CJ	11/11/2016
CHECKED	P.D	11/11/2016
APPROVED	J.S	11/11/2016

This document contains data proprietary to DB Unlimited. Any use or reproduction, in any form, without prior written permission of DB Unlimited is prohibited. All terms and conditions can be found at [www.dbunlimitedco.com](http://www.dbunlimitedco.com)

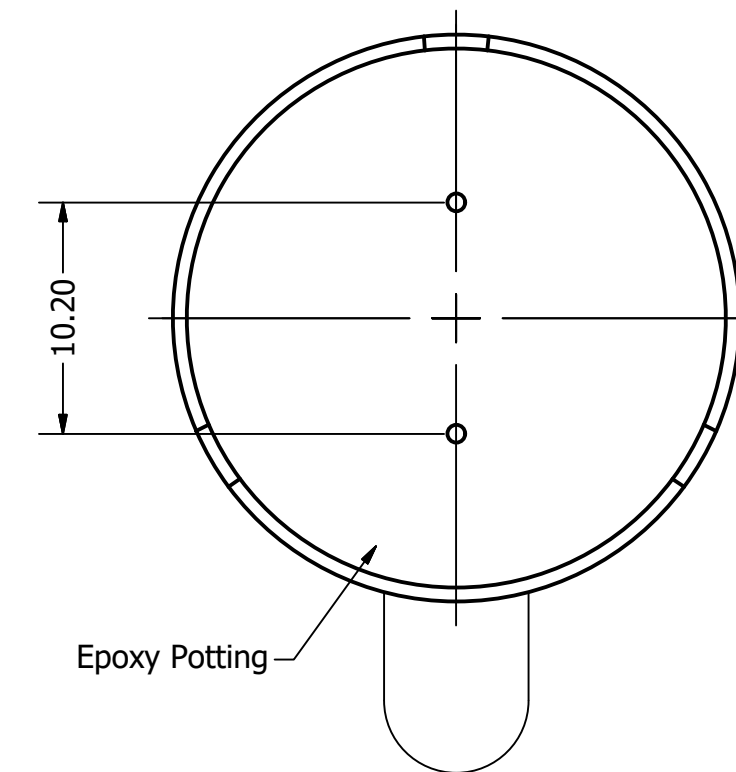
Top View



Side View



Bottom View



Items	Specifications	Conditions	REVISION HISTORY			
Sound Pressure Level	85 ± 5	dB (@ 10cm)	REV	DESCRIPTION	DATE	APPROVED
Resonant Frequency	1,800	Hz		Released from Engineering	10/21/2013	J.S.
Rated Voltage	12	V	1	Updated to new template	11/11/2016	J.S.
Voltage Range	9 ~ 16	V	2	Corrected SPL, resonant frequency, voltage range, max current, storage temp, and operating temp	5/18/2017	C.E.
Coil Resistance	120 ± 15	Ω	NOTES			
Max. Rated Current	70	mA	1) All dimensions are in mm unless otherwise noted			
Storage Temperature	-40 ~ +90	°C	2) All tolerances are ± 0.5 mm unless otherwise noted			
Operating Temperature	-40 ~ +85	°C	3) All parts meet RoHS			
Connection Method	PC Pins		4) Subject to change or redrawn without notice			
Mount Type	Thru Hole					
Housing Material	NORYL					
Weight	10	g				