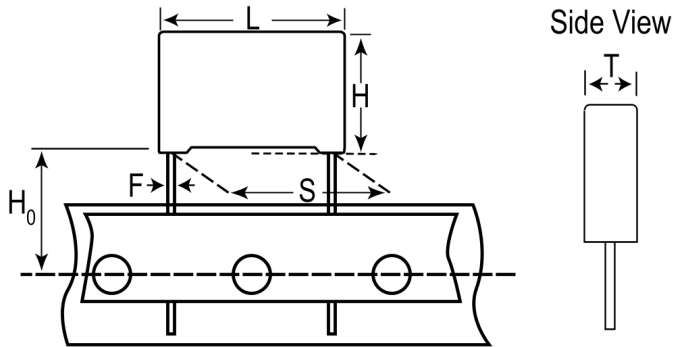


## R75UN2470CK30J

Aliases (75UN2470CK30J)

R75, Film, Metallized Polypropylene, Automotive Grade, 0.047 uF, 5%, 2000 VDC, 85°C, Lead Spacing = 22.5mm



Click [here](#) for the 3D model.

### Dimensions

L	26.5mm +0.3/-0.5mm
H	18.5mm +0.1/-0.5mm
T	10mm +0.2/-0.5mm
S	22.5mm +/-0.4mm
H0	18.5mm +/-0.5mm
F	0.8mm +/-0.05mm

### Packaging Specifications

Packaging	T&R, Large
Packaging Quantity	350

### General Information

Series	R75
Dielectric	Metallized Polypropylene
Style	Radial
Features	Automotive Grade, Pulse
RoHS	Yes
Lead	Wire Leads
Qualifications	AEC-Q200
AEC-Q200	Yes
Miscellaneous	Above 85C DC And AC Voltage Derating Is 1.25%/C.

### Specifications

Capacitance	0.047 uF
Capacitance Tolerance	5%
Voltage AC	700 VAC
Voltage DC	2000 VDC
Temperature Range	-55/+105°C
Rated Temperature	85°C
Dissipation Factor	0.04% 1kHz, 0.06% 10kHz, 0.25% 100kHz
Insulation Resistance	100 GOhms
Max dV/dt	3500 V/us
Resistance	16.9 mOhms (100kHz)
Ripple Current	5.74 Amps (100kHz 85C), 188 Amps (Peak)
Inductance	18 nH