

DS2485 Evaluation Kit

Evaluates: DS2485

General Description

The DS2485 evaluation (EV) kit provides the hardware and software necessary to exercise the features of the DS2485. The EV kit's main hardware consists of a DS9481P-300 USB-to-1-Wire[®] adapter and two DS9121BQ socket boards. Both the DS2485 and DS28E07 devices are included for evaluation. The software runs on Windows[®] 10, Windows 8, and Windows 7 operating systems and provides a graphical user interface (GUI) to exercise the features of the DS2485.

Features

- Provides the Ability to Exercise All Functional Commands
- Quickly Create, Save, and Load Custom 1-Wire Scripts
- Customizable Timings Allow for Various 1-Wire Configurations such as Long Lines
- Flexible Timings Ensure Support for Existing and Future Devices
- Alterable I²C Address Ensures a Conflict-Free Environment
- Easily Discover Connected 1-Wire Devices with Built-in Search ROM Accelerator
- GPIO Allows External Control or Signaling
- Fully Compliant with USB Specification v2.0

DS2485 EV Kit Contents

QTY	DESCRIPTION
1	DS9481P-300 USB-to-1-Wire Adapter
2	DS9121BQ Socket Board
5	DS2485Q+U
5	DS28E07Q+U
1	USB Type-A to Micro-USB Type-B Cable

Ordering Information appears at end of data sheet.

1-Wire is a registered trademark of Maxim Integrated Products, Inc.
Windows is a registered trademark of Microsoft Corporation.

Quick Start

Required Equipment

- DS2485 EV kit with accompanying software and USB driver
- PC with Windows 10, Windows 8, or Windows 7 operating systems
- System with spare USB 2.0 or higher port

Software and Hardware Installation and Setup

- 1) Ensure that there are no other USB devices plugged in before installing the software (keyboard, mouse, USB drives, and printers do not apply).
- 2) Navigate to the DS2485 product page and download the EV kit software zip file.
- 3) Fully unzip the EV kit software.
NOTE: Running the setup from within the zip window without fully extracting it may cause installation issues. Make sure that the files are unzipped to a folder before proceeding.
- 4) Navigate to the USB driver folder.
- 5) Right-click on install.bat and then choose **Run as administrator**.
- 6) Click **Install** when prompted to install the USB device driver.
- 7) Install the jumpers as described in [Table 1](#) and reference [Figure 1](#) for their locations.
- 8) Insert a DS2485 IC into one of the DS9121BQ boards and connect it to the DS9481P-300 as shown in [Figure 2](#).
IMPORTANT: The pin 1 indicator is on the PCB's silkscreen and is located on the lower left-hand corner. Do not use the dimple inside the socket as the pin 1 indicator.
- 9) Insert a DS28E07 IC into the remaining DS9121BQ board and connect it to J1 of the DS2485's DS9121BQ board as shown in [Figure 2](#).
- 10) The board containing the DS2485 must be directly connected to the DS9481P-300 for the system to work properly.

Table 1. DS9121BQ Socket Board Jumper Settings

REFERENCE DESIGNATOR	JUMPER SETTING	NOTES
JB1, JB3, and JB4	Installed	DS2485 board
JB2 and JB5	Not installed	DS2485 board
JB1, JB2, JB3, and JB4	Not installed	DS28E07 board
JB5	Installed	DS28E07 board

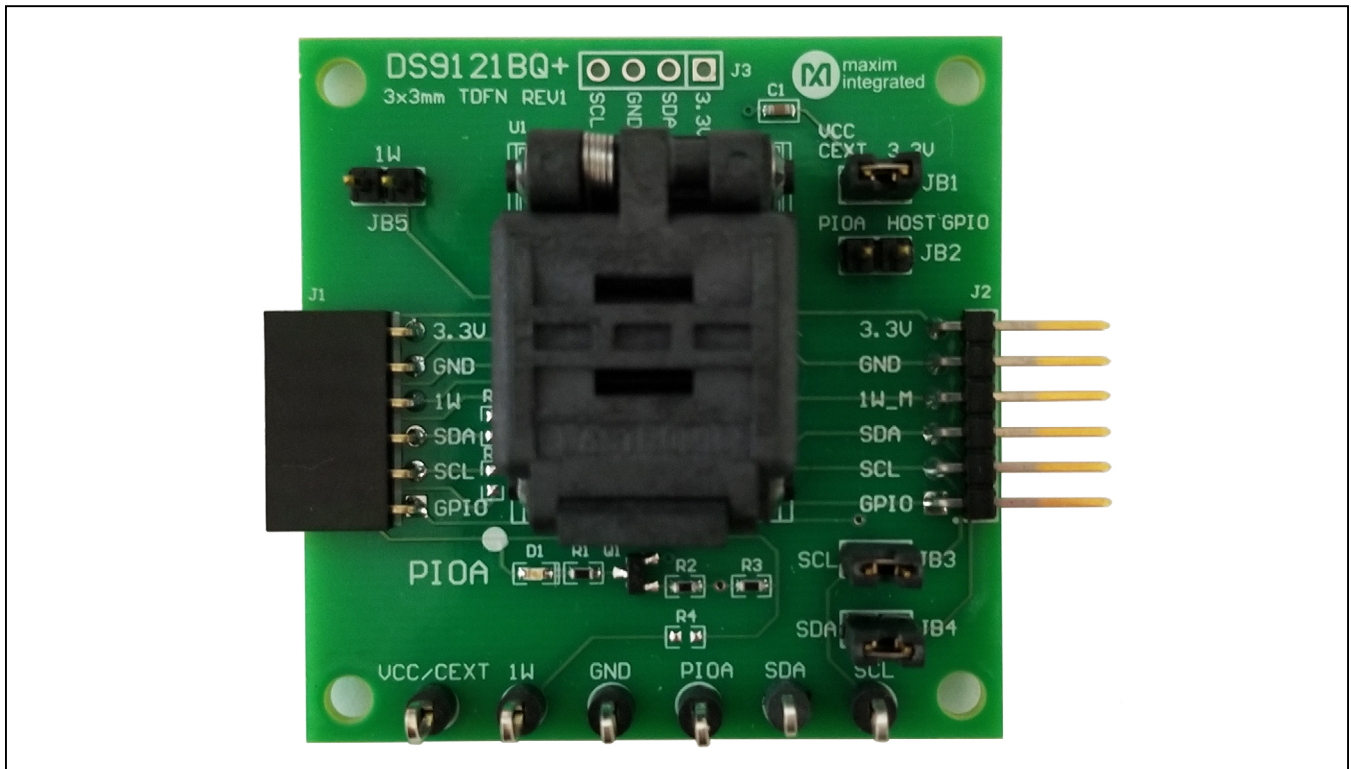


Figure 1. DS9121BQ Socket Board

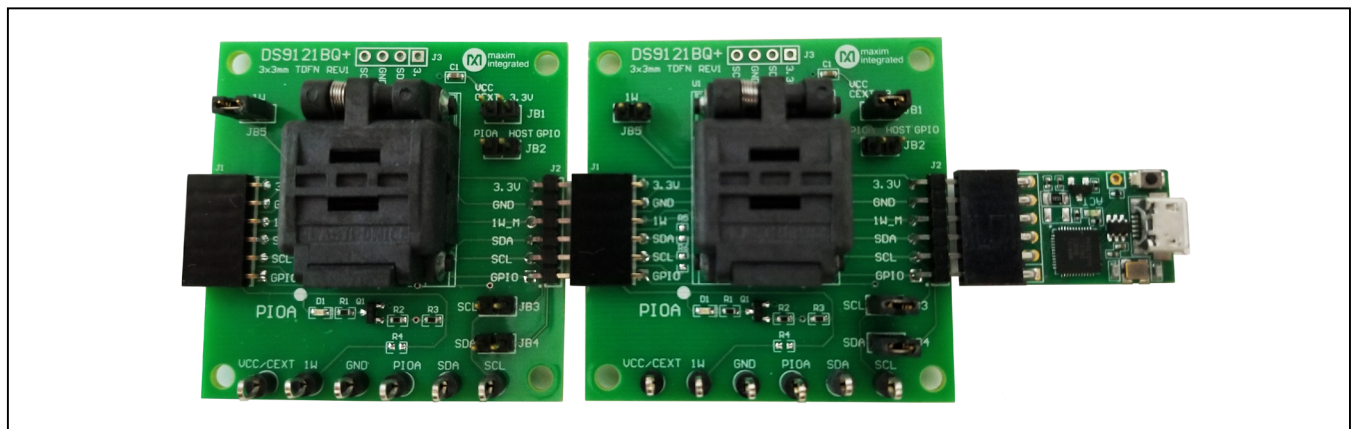


Figure 2. Board Connectivity

- 11) Connect the USB cable to the DS9481P-300 adapter and plug it into a USB port.
- 12) Windows detects the hardware and automatically installs the USB driver.
- 13) Double-click on the Setup.exe file to install the DS2485 EV kit software.
- 14) The EV kit software will automatically start after installation completes (Figure 3).
- 15) Do not run setup.exe to launch the program because it will install a second copy. Instead, use the DS2485 EV kit shortcut from the Windows' Start menu for subsequent launches.

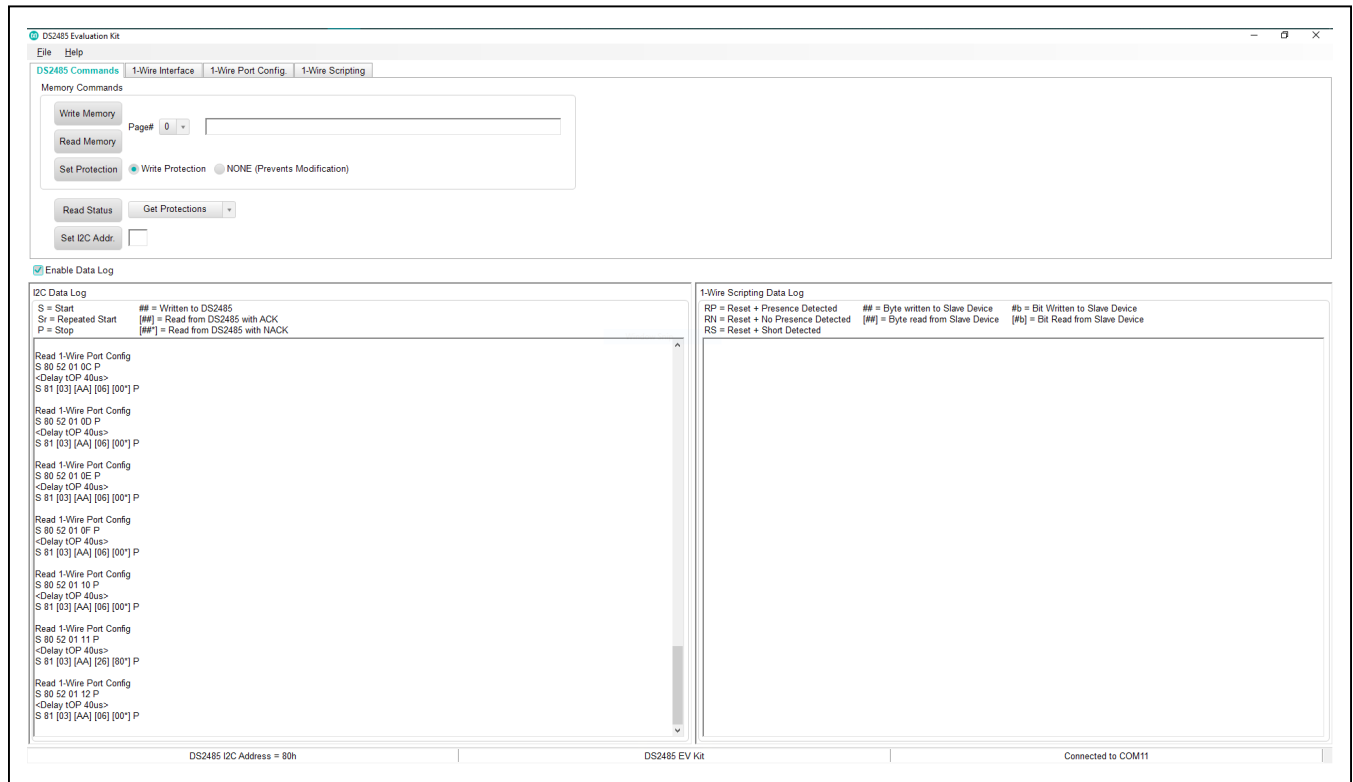


Figure 3. DS2485 Evaluation Kit Software

DS2485 EV Kit Supported Functions

The DS2485 EV kit program supports every command outlined in the device's data sheet with functionality

divided across the various tabs in the application. [Table 2](#) provides a brief description for the operations found on each tab.

Table 2. Menu Tabs

TAB NAME	DESCRIPTION
DS2485 Commands	Provides read and write access to the DS2485's memory pages, protection settings, and Read Status command, and allows customization of its I ² C address.
1-Wire Interface	Showcases the use of the integrated Search ROM accelerator, Write/Read Block functions, and Full Command Sequence used for authenticator devices.
1-Wire Port Config	Allows for customized 1-Wire timings for standard and overdrive speeds and provides access to the various registers for configuring 1-Wire pullup, thresholds, slew rate, and other registers. This tab also contains the CRC-16 computation engine, as well as the ability to perform a Master Reset.
1-Wire Scripting	Supports the sequencing of all fundamental 1-Wire commands to develop communication sequences for any device. Script commands can easily be constructed, executed, and saved for later use.

Ordering Information

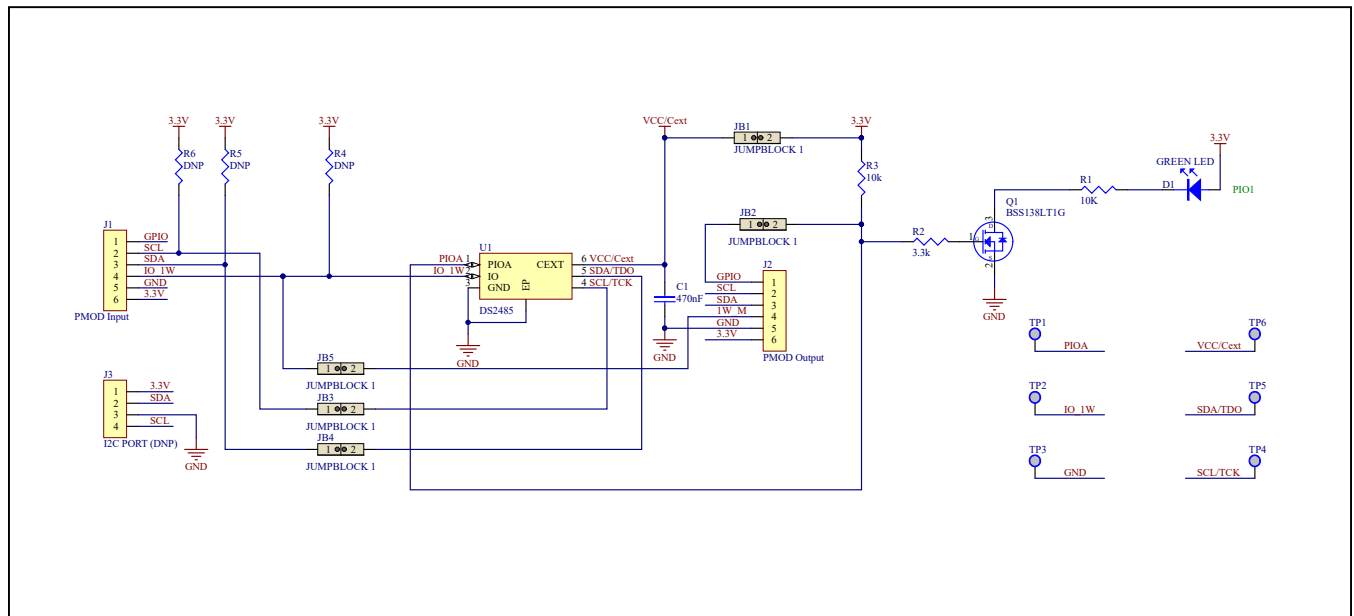
PART	TYPE
DS2485EVKIT#	EV Kit

#Denotes RoHS compliant

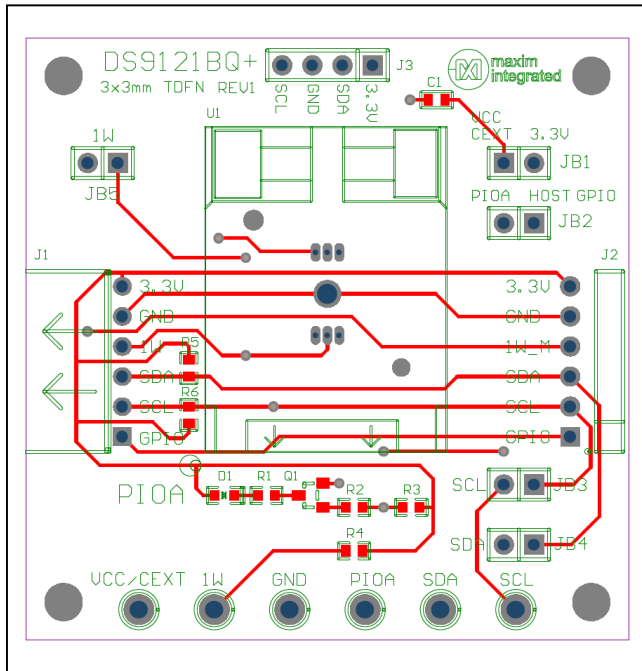
DS2485 EV Kit Bill of Materials

DESIGNATOR	QTY	DESCRIPTION	MANUFACTURER	PART NUMBER
J1	1	CONN FEMALE 6POS .100" R/A GOLD	Sullins Connector Solutions	PPPC061LGBN-RC
J2	1	CONN HEADER 6 POS RA 2.54	Würth Electronics Inc.	61300611021
TP1-TP6	6	TEST POINT PC MULTI PURPOSE BLK	Keystone Electronics	5011
U1	1	SOCKET+, IC TDFN, 3mm, 3x2, CLAMSHELL	PLASTRONICS	06QN10T23030
C1	1	CAP CER 0.47µF 16V X7R 0603	KEMET	C0603C474K4RACTU
D1	1	LED GREEN CLEAR 0603 SMD	Dialight	5988081107F
JB1-JB5	5	CONN HEADER 2 POS 2.54	Würth Electronics Inc.	61300211121
Q1	1	MOSFET N-CH 50V 200MA SOT23	ON Semiconductor	BSS138LT1G
R1, R3	2	RES SMD, 10kΩ, 0.1%, 1/10W 0603	Bourns Inc.	CRT0603-BY-10R0ELF
R2	1	RES SMD, 3.3kΩ, 1%, 0603	Yageo	RC0402JR-071K5L
R4, R5, R6	3	DNP (do not populate)	—	—

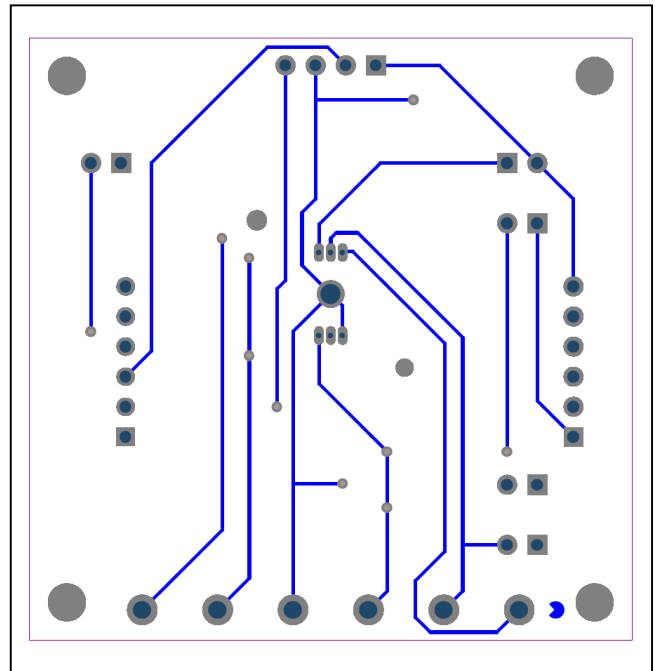
DS2485 EV Kit Schematic Diagram



DS9121BQ EV Kit PCB Layout Diagrams



DS9121BQ Layout Diagram—Top



DS9121BQ Layout Diagram—Bottom

Revision History

REVISION NUMBER	REVISION DATE	DESCRIPTION	PAGES CHANGED
0	5/21	Initial release	—

For pricing, delivery, and ordering information, please visit Maxim Integrated's online storefront at <https://www.maximintegrated.com/en/storefront/storefront.html>.

Maxim Integrated cannot assume responsibility for use of any circuitry other than circuitry entirely embodied in a Maxim Integrated product. No circuit patent licenses are implied. Maxim Integrated reserves the right to change the circuitry and specifications without notice at any time.