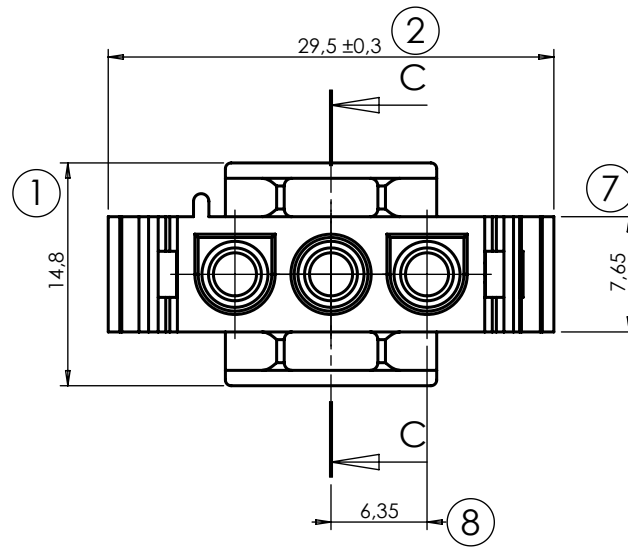
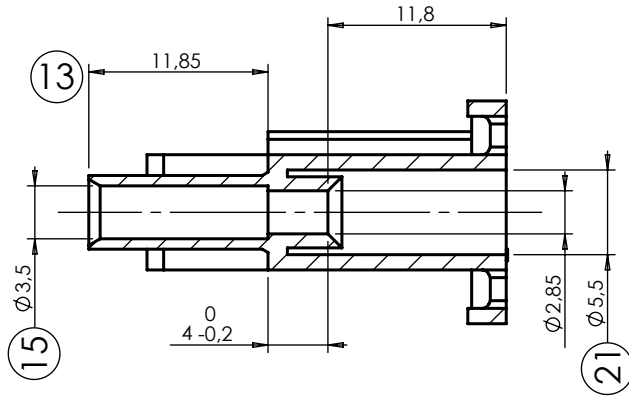
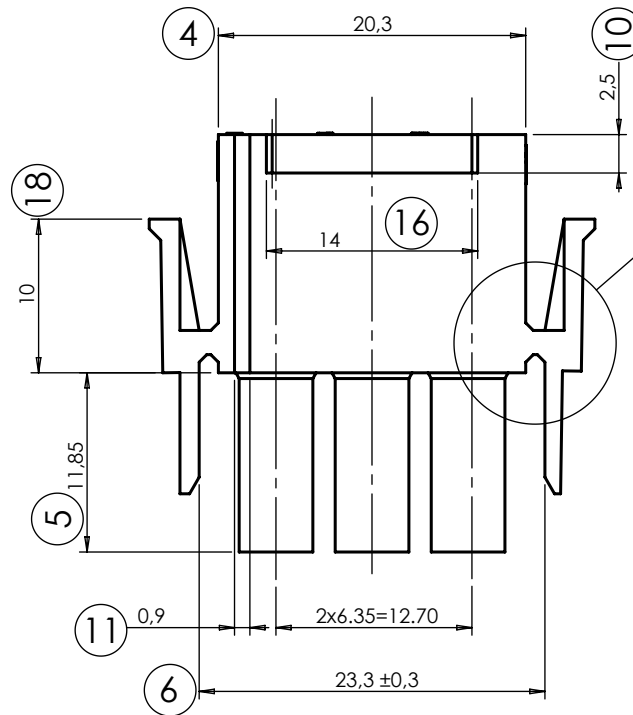
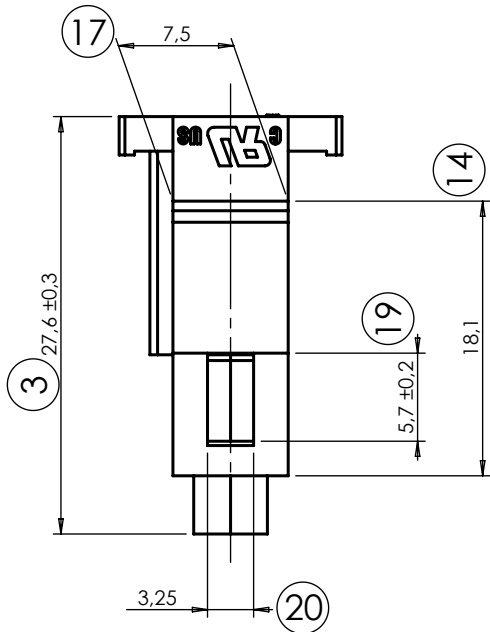
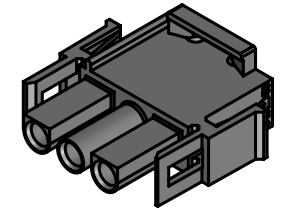
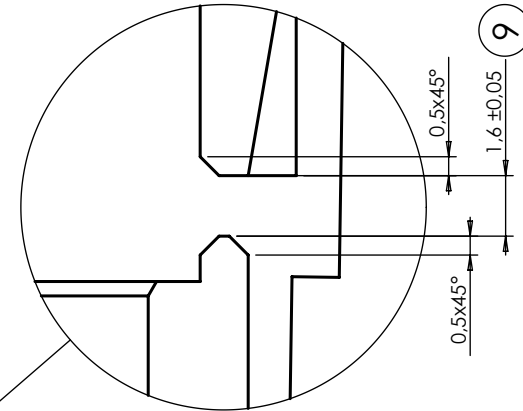
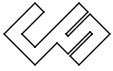
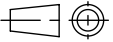


SEZIONE C-C



DETTAGLIO G
SCALA 5:1



6	Updated tolerance limits	01-08-2016
5	Modificato diametri da Ø3.75 a Ø3.50 (Vedi sezione "C-C")	06-02-2015
4	Incrementato spessore gancio da 1.30 mm a 1.60 mm (Dettaglio "G")	07-11-2014
3	Added UL & CSA symbols	09-11-2011
2	Updated raw materials table and title box	23-02-2011
1	Updated tolerance limits	02-12-1999
INDEX	MODIFICATION	DATE
 <p>CS S.r.l. 20063 CERNUSCO S/N - VIA COMO, 11 TEL +39.02.9210.7404 - FAX +39.02.9210.0217 http://www.csconnectors.com - e-mail: info@csconnectors.com</p>		
CHECKED BY Stefano Scaglioni		DATE 23-02-2011
DRAWN BY Stefano Querzoli		DATE 23-02-2011
CAD REFER Y:\dis\cs\lk\03vie\m\modifica_07-11-2014\		SIZE A4
		SCALE 2:1
		INDEX 0 15-11-1997
BASE CODE	DESCRIPTION	
CS-LK03M	3 poles plug housing for LK series terminals Ø2.12 mm	

	CS-LK03M	PA66 UL94 V-2
	CS-LK03MV0	PA6/66 UL94 V-0
	CS-LK03MSTY	PA46 UL94 V-2
	CS-LK03MV0750NF	PA66 UL94 V-0 GWIT 775
	CS-LK03M-G	PA6 UL94 V-2 GWIT 775
	PART NUMBER	MATERIAL

DIMENSIONS WITHOUT TOLERANCES		
A ±2°	0 - 6	±0.1
	6 - 30	±0.2
	> 30	±0.3