

RJ45, 2x1 Multi Port, 10/100/1G Base-T Magnetics Module

ARJM21 Series

Request Samples



Check Inventory



17.2 x 28.7 x 25.5 mm
RoHS/RoHS II Compliant
MSL Level = 1

Features

- IEEE 802.3 compliant and UL certified
- High performance integrated magnetics for EMI suppression
- Suitable for CAT5 and CAT6 UTP cabling
- RoHS peak wave solder temperature rating 265°C
- Extended operating temperature -40 to 85°C option

Applications

- Multiport 10/100/1G Base-T LAN
- Network Interface Cards
- High Density Data Center Switches
- NAS / Expander storage
- Data Center Servers, Routers
- Media converters

Electrical Specifications

Parameters	Minimum	Typical	Maximum	Units	Notes
Turn Ratio ($\pm 3\%$)	1CT:1CT				100kHz, 0.1V
Inductance	350			μH	100kHz, 0.1V, 8mADC
DC Resistance			1.2	Ω	
Hipot	1500			V _{rms}	1mA Max Complies with IEEE 802.3
Operating Temperature	-40		+85	°C	See options
Storage Temperature	-40		+85	°C	
100 Base-T					
Insertion Loss	-1.0			dB	0.-100MHz
Return Loss			-20	dB	1-30MHz
			-15		30-60MHz
			-10		60-80MHz
Crosstalk			-30	dB	1-100MHz
CMRR			-30	dB	1-100MHz
1000 Base-T					
Insertion Loss	-1.1			dB	0.5-100MHz
Return Loss			-18	dB	0.5-40MHz
			$-12+20\log(f/80)^\dagger$		40.1-100MHz
Crosstalk			-35	dB	0.5-40MHz
			$-33+20\log(f/50)^\dagger$		40.1-100MHz
CMRR			-30	dB	0.5-100MHz

\dagger f represents the test frequency specified in MHz

ARJM24 Series is RoHS/RoHS II Compliant

MSL level: 1

UL Certification Number: E503350



5101 Hidden Creek Ln Spicewood TX 78669
Phone: 512-371-6159 | Fax: 512-351-8858
For terms and conditions of sales, please visit:
www.abracon.com

REVISED: 01-21-21

ABRACON IS
ISO9001-2015
CERTIFIED

RJ45, 2x1 Multi Port, 10/100/1G Base-T Magnetics Module

ARJM21 Series

Request Samples

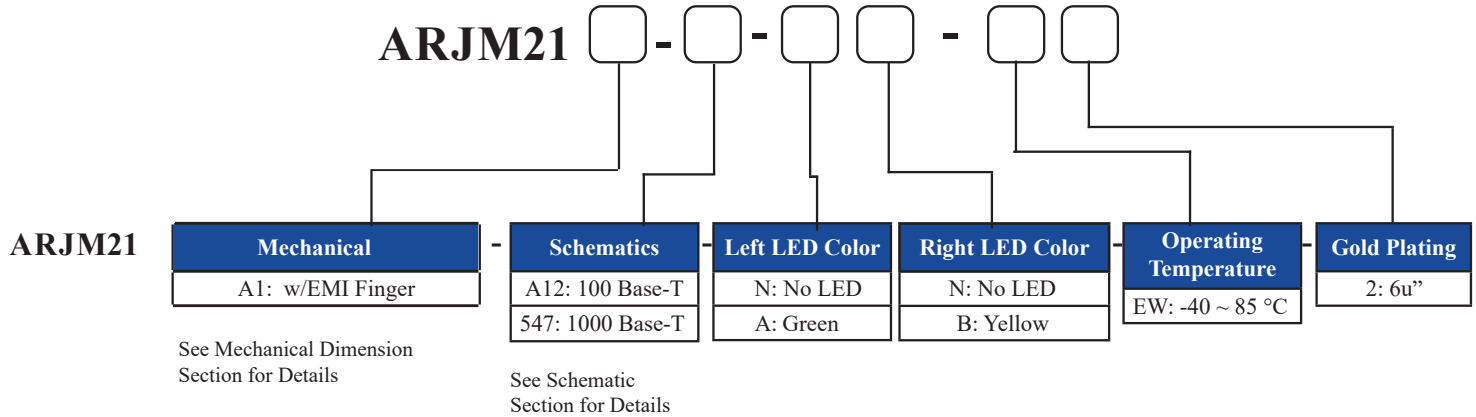


Check Inventory



17.2 x 28.7 x 25.5 mm
RoHS/RoHS II Compliant
MSL Level = 1

Part Number Identification



Available Part Numbers

Part Number	Speed	Tab Direction	LED (Left:Right)	Operating Temperature	Solder Method	Gold Plating
ARJM21A1-547-AB-EW2	1000 Base-T	Up/Down	G : Y	0°C ~ 70°C	Wave	6μ"
ARJM21A1-A12-NN-EW2	10/100 Base-T	Up/Down	none	-40°C ~ 85°C	Wave	6μ"

Materials

- Housing:**
 Material: PBT, UL94V-0
 Standard Color: Black
- Contact Pin:**
 Material: Phosphor Bronze
 Plating (1): Nickel
 Plating (2): 100%Sn
- Insert:**
 Material: PBT, UL94V-0

 Contact Material: Phosphor Bronze
 Plating (1): Nickel
 Plating (2): Gold, 6u"
- LED:**
 Material: Diffused Epoxy Lens, 0.5x0.5mm
 Carbon Steel wireframe leads
- Metal Shell:**
 Material: Brass
 Plating (1): Nickel

Note: Abracon LLC will not alter any material composition, without prior written notification.



5101 Hidden Creek Ln Spicewood TX 78669
 Phone: 512-371-6159 | Fax: 512-351-8858
 For terms and conditions of sales, please visit:
www.abracon.com

REVISED: 01-21-21

ABRACON IS
 ISO9001-2015
 CERTIFIED

RJ45, 2x1 Multi Port, 10/100/1G Base-T Magnetics Module

ARJM21 Series

Request Samples



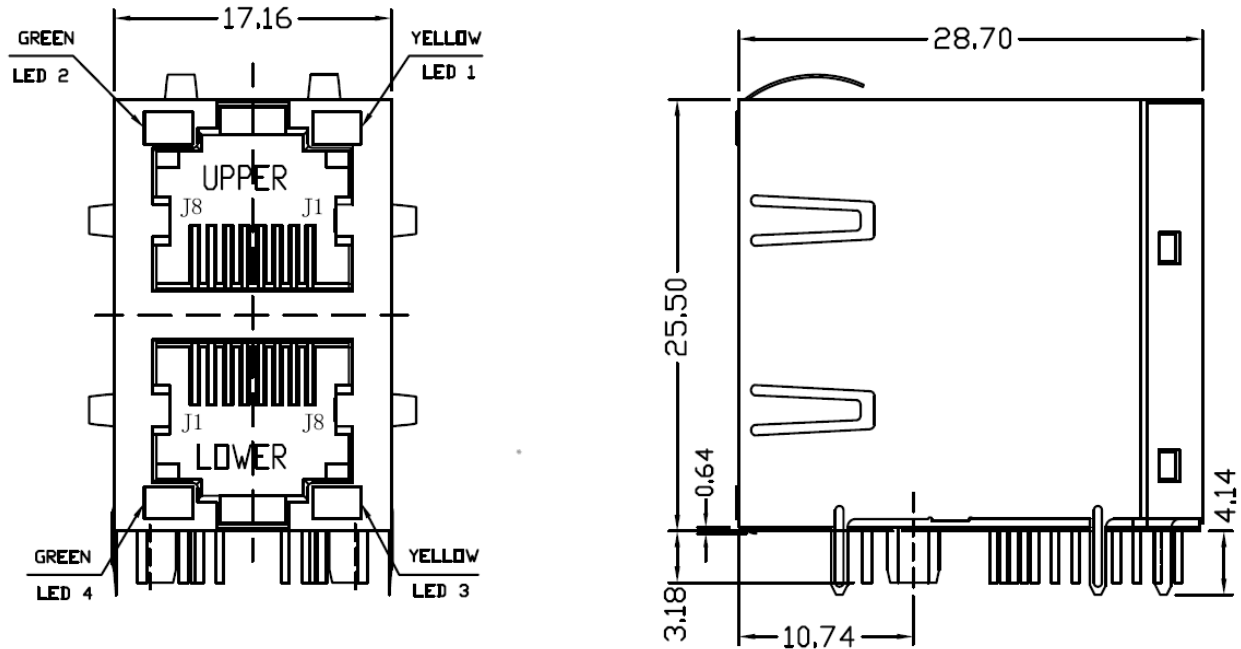
Check Inventory



17.2 x 28.7 x 25.5 mm
RoHS/RoHS II Compliant
MSL Level = 1

Mechanical Specifications

A1: 2 x 1, w/ EMI Fingers



Dimensions are in mm. Unless otherwise noted, tolerance is ± 0.25 mm.

RJ45, 2x1 Multi Port, 10/100/1G Base-T Magnetics Module

ARJM21 Series

Request Samples



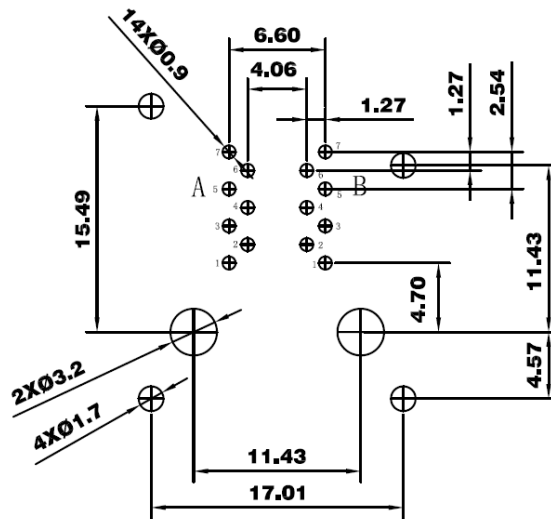
Check Inventory



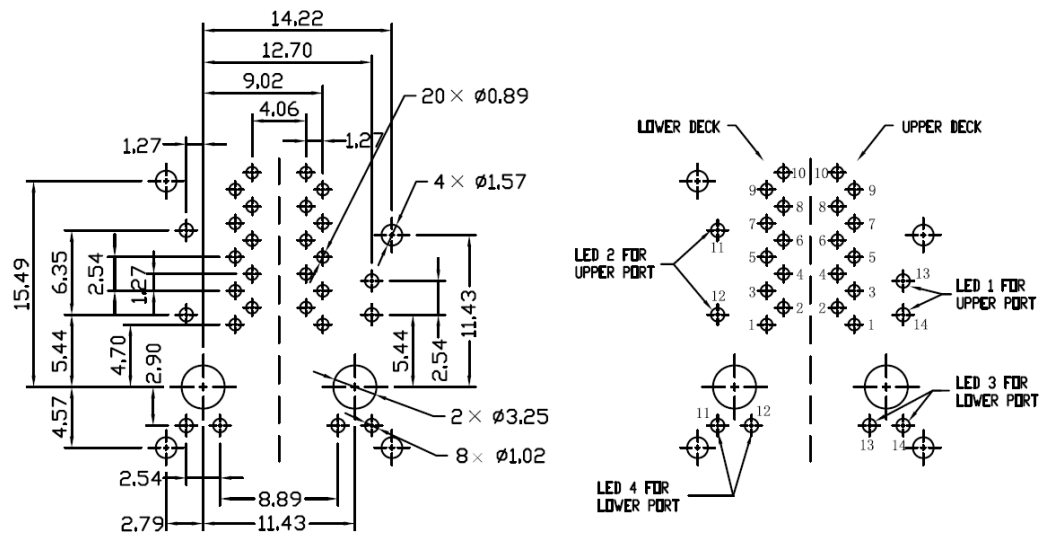
17.2 x 28.7 x 25.5 mm
RoHS/RoHS II Compliant
 MSL Level = 1

Recommended Layout

10/100 Base-T



1000 Base-T



Dimensions are in mm. Unless otherwise noted, tolerance is ± 0.25 mm.



5101 Hidden Creek Ln Spicewood TX 78669
 Phone: 512-371-6159 | Fax: 512-351-8858
 For terms and conditions of sales, please visit:
www.abracon.com

REVISED: 01-21-21

ABRACON IS
 ISO9001-2015
 CERTIFIED

RJ45, 2x1 Multi Port, 10/100/1G Base-T Magnetics Module

ARJM21 Series

Request Samples



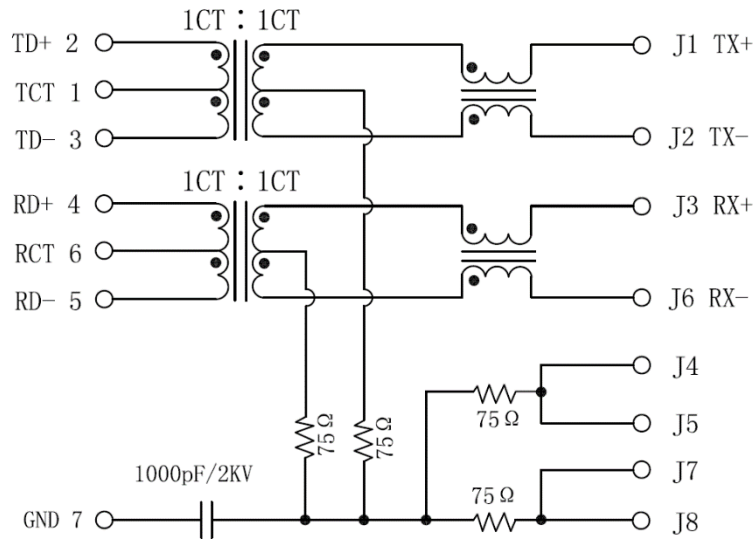
Check Inventory



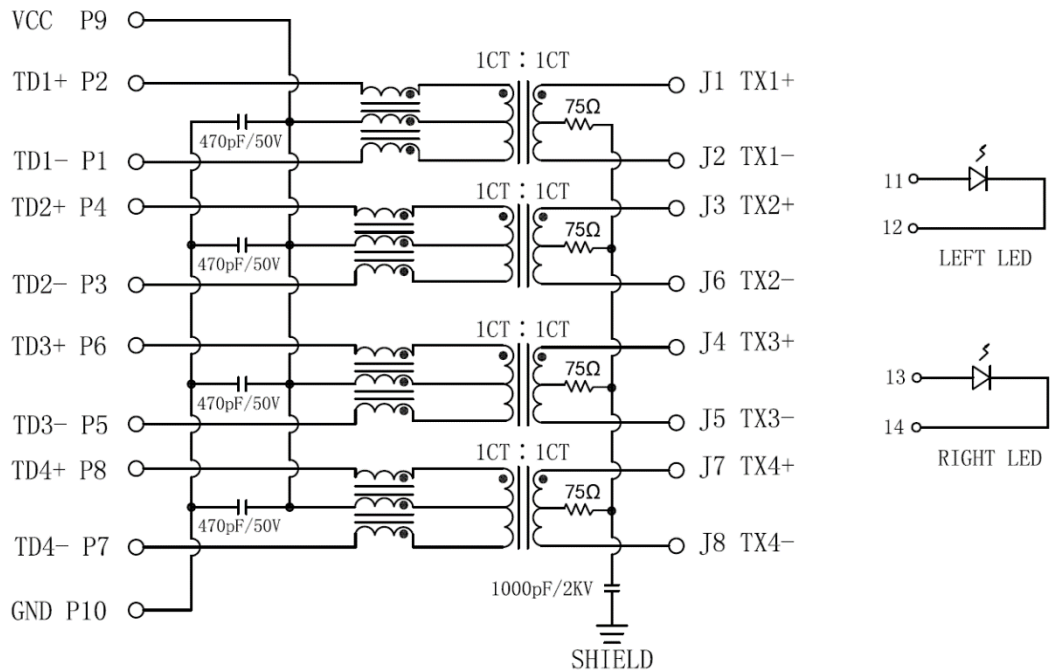
17.2 x 28.7 x 25.5 mm
 RoHS/RoHS II Compliant
 MSL Level = 1

Schematic

A12 (10/100 Base-T)



547 (1000 Base-T)



5101 Hidden Creek Ln Spicewood TX 78669
 Phone: 512-371-6159 | Fax: 512-351-8858
 For terms and conditions of sales, please visit:
www.abracon.com

REVISED: 01-21-21

ABRACON IS
 ISO9001-2015
 CERTIFIED

RJ45, 2x1 Multi Port, 10/100/1G Base-T Magnetics Module

ARJM21 Series

Request Samples



Check Inventory



17.2 x 28.7 x 25.5 mm
RoHS/RoHS II Compliant
MSL Level = 1

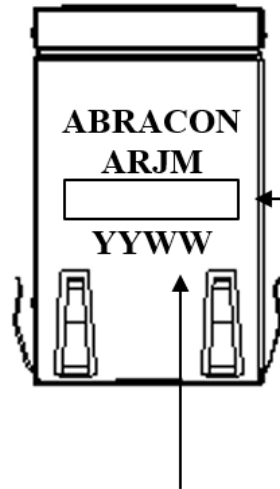
LED SPECIFICATION. @20mA Forward Current

AB option (Left: Green – Right: Yellow)

Color	Green	Yellow
Wavelength	565nm Typ	585nm Typ
Forward Voltage	2.2V Typ	2.1V Typ

NN option (no LEDs)

Part Marking



Part number

XXXX-XXX-XX-XXX

e.g. 21A1-A12-NN-EW2

YY: Year: E.g. 21 for 2021

WW: Week: E.g. 05 for
the 5th week of the year.

Marking Method = Laser Marking



5101 Hidden Creek Ln Spicewood TX 78669
Phone: 512-371-6159 | Fax: 512-351-8858
For terms and conditions of sales, please visit:
www.abracon.com

REVISED: 01-21-21

ABRACON IS
ISO9001-2015
CERTIFIED

RJ45, 2x1 Multi Port, 10/100/1G Base-T Magnetics Module

ARJM21 Series

Request Samples

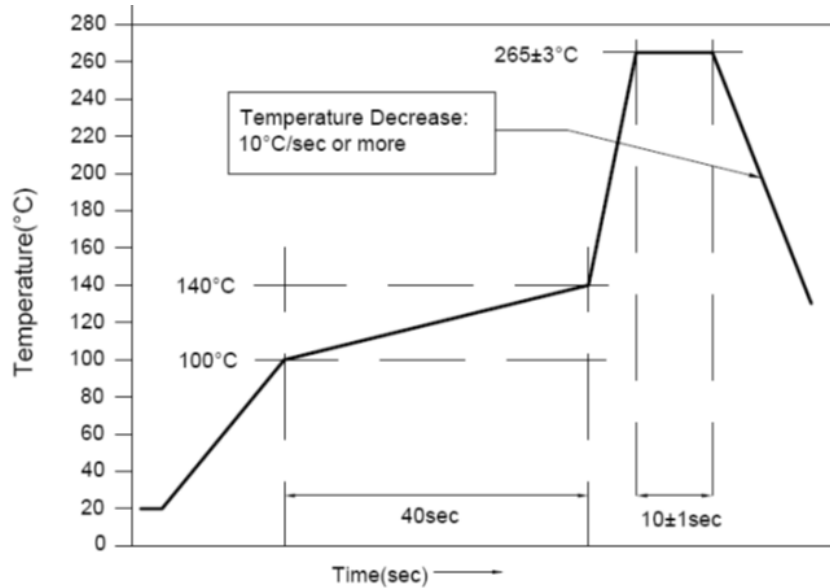


Check Inventory



17.2 x 28.7 x 25.5 mm
RoHS/RoHS II Compliant
MSL Level = 1

Wave Profile



Packaging

Series	Approximate Weight / Pc	Approximate Weight / Carton	Qty / Carton (pcs)	Tray / Carton	MOQ (pcs)	Carton Dimensions (LxWxH)
ARJM21	13.50 g	5370 g	320	8	320	340 x 215 x 275mm

ATTENTION: Abracon LLC's products are COTS – Commercial-Off-The-Shelf products; suitable for Commercial, Industrial and, where designated, Automotive Applications. Abracon's products are not specifically designed for Military, Aviation, Aerospace, Life-dependent Medical applications or any application requiring high reliability where component failure could result in loss of life and/or property. For applications requiring high reliability and/or presenting an extreme operating environment, written consent and authorization from Abracon LLC is required. Please contact Abracon LLC for more information.



5101 Hidden Creek Ln Spicewood TX 78669
Phone: 512-371-6159 | Fax: 512-351-8858
For terms and conditions of sales, please visit:
www.abracon.com

REVISED: 01-21-21

ABRACON IS
ISO9001-2015
CERTIFIED