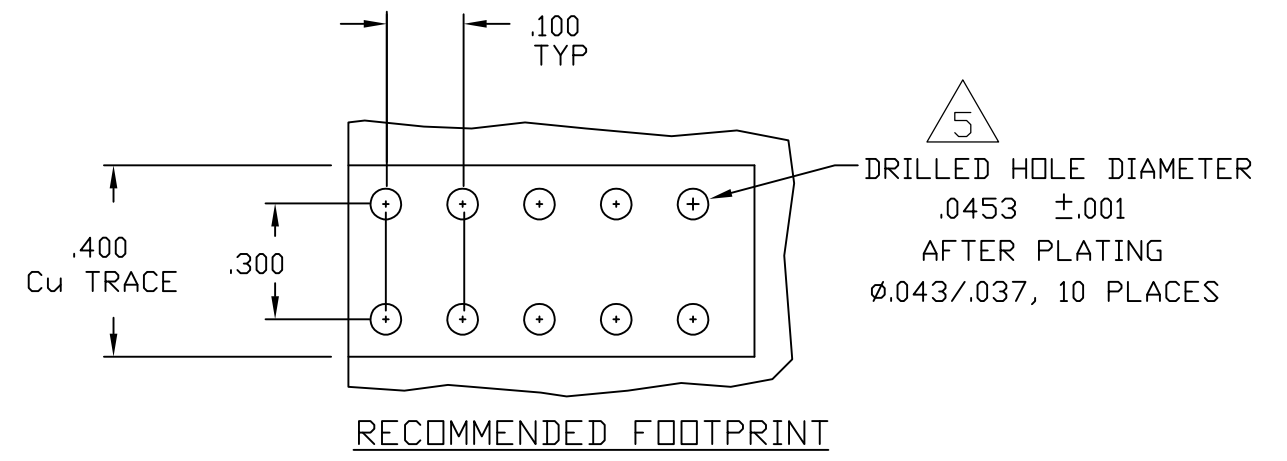
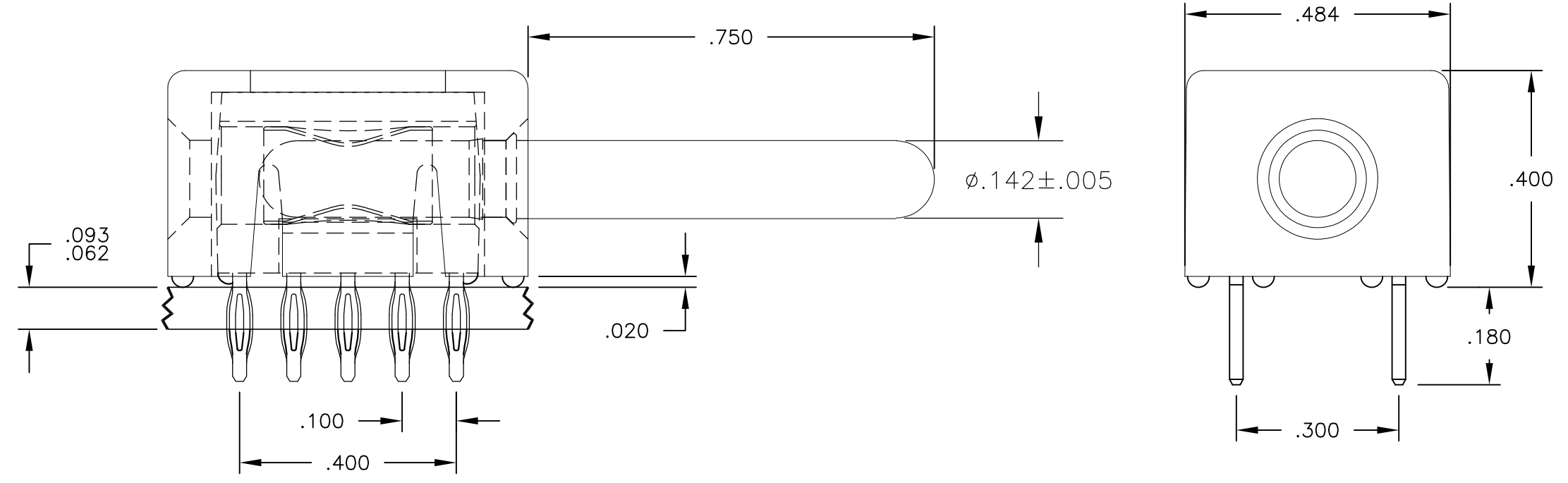


THIS DRAWING IS UNPUBLISHED. RELEASED FOR PUBLICATION
 © COPYRIGHT - TE Connectivity ALL RIGHTS RESERVED.

REVISIONS					
P	LTR	DESCRIPTION	DATE	DWN	APVD
	C1	REVISED PER ECR-17-008430	12JUN2017	RS	SZ



- 7 FINISH FOR COMPLIANT PIN: .00020 MIN THK. SILVER OVER .000040 MIN THK. NICKEL.
- 6 FINISH FOR COMPLIANT PIN: .000040 MIN THK. TIN OVER .000050 MIN THK. NICKEL.
- 5 FOR APPLICATIONS UTILIZING AN IMMERSION SILVER PLATED PCB, CONTACT TYCO ENGINEERING.
- 4. FINISH:
 - INSULATOR - AS MOLDED COLOR BLACK
 - MODULE - SILVER PLATED .0002 MIN THK. OVER NICKEL .000040 MIN THK.
 - CROWN - GOLD PLATED .000030 MIN THK. OVER NICKEL .000040 MIN THK.
 - PIN CONTACT - SILVER PLATED .00020 MIN THK. OVER NICKEL .000040 MIN THK.

- 3. MATERIAL:
 - INSULATOR - POLYESTER, GLASS FILLED, UL 94 V-0
 - MODULE - ZINC ALLOY
 - CROWN - COPPER ALLOY
 - PIN CONTACT - BRASS
 - COMPLIANT PIN - PHOSPHOR BRONZE

- 2. ITEMS PROVIDED TO THIS SPECIFICATION SHALL BE IDENTIFIED ON CONTAINER WITH THE FOLLOWING INFORMATION PART NUMBER AND DATE CODE OF MANUFACTURE.
- 1. PART NUMBER CHANGES AND/OR DESIGN CHANGES AFFECTING ITEM INTERCHANGEABILITY REQUIRE PRIOR TYCO APPROVAL AND AUTHORIZATION BY REVISION TO THIS DRAWING.

6	6643443-2
7	6643443-1
DESCRIPTION	PART NUMBER

THIS DRAWING IS A CONTROLLED DOCUMENT.		DWN R.GRZYBOWSKI 21AUG06	TE Connectivity		
DIMENSIONS: INCHES		CHK S.FLICKINGER 21AUG06			
TOLERANCES UNLESS OTHERWISE SPECIFIED:		APVD S.FLICKINGER 21AUG06	NAME ICCON PIN, PARALLEL, COMPLIANT PIN NONLOCKING, 10 PIN FOOTPRINT		
0 PLC ± - 1 PLC ± - 2 PLC ± .02 [.3] 3 PLC ± .010 [.25] 4 PLC ± - ANGLES ± .5		PRODUCT SPEC 108-128033	SIZE A3		
MATERIAL -		FINISH -	APPLICATION SPEC 114-13298	CAGE CODE 00779	DRAWING NO G-6643443
CUSTOMER DRAWING			WEIGHT 0	RESTRICTED TO -	SCALE 4:1
			SHEET 1 OF 1	REV C1	