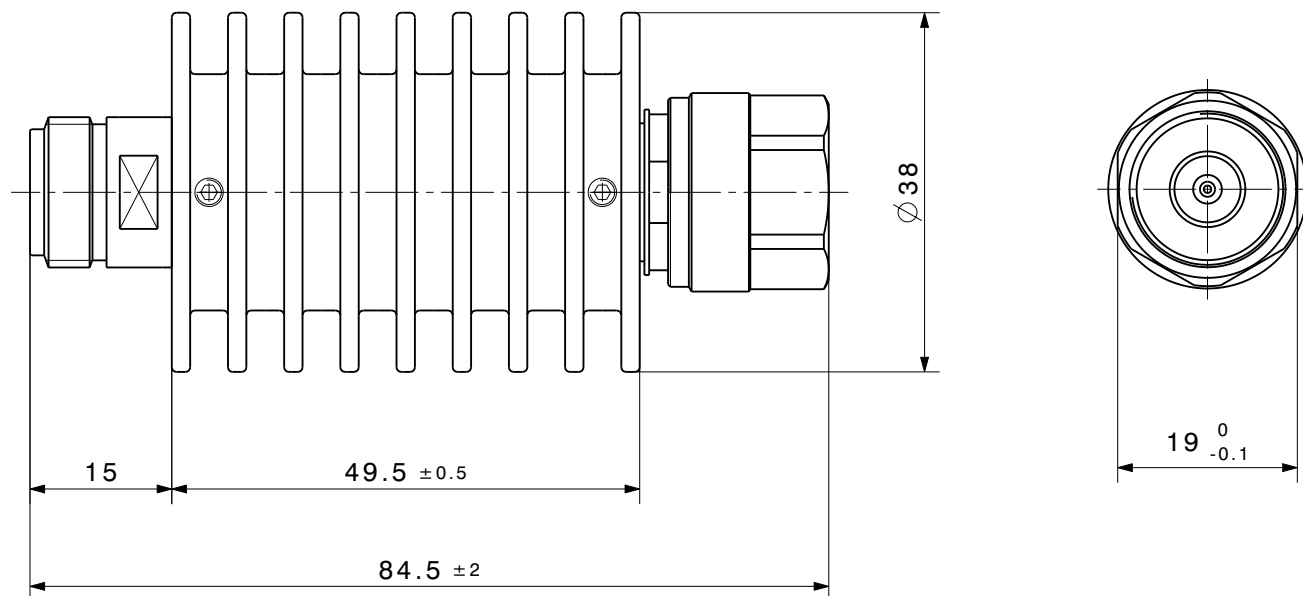


Types:

5930_N-50-025

5920_N-50-025

5910_N-50-025



Type:

All dimensions after treatment in millimeter (mm)

Assembly drawing

Released date: 27.10.2022

alternative ID

3D-ID PRO-01168089 A Sheet: 1 / 1

HUBER+SUHNER

description
Attenuator

ID Release
DOU-01168090 A