

**ebm-papst St. Georgen GmbH & Co. KG**

Hermann-Papst-Str. 1
 D-78112 St. Georgen
 Phone +49 (0) 7724 81-0
 Fax +49 (0) 7724 81-1309
 info2@de.ebmpapst.com
 www.ebmpapst.com

Nominal data

| Type | 4412 FG | |
|--------------------------|-------------------|-----------|
| Nominal voltage | VDC | 12 |
| Nominal voltage range | VDC | 8 .. 12.6 |
| Speed (rpm) | min ⁻¹ | 2900 |
| Power consumption | W | 5.3 |
| Min. ambient temperature | °C | -20 |
| Max. ambient temperature | °C | 60 |
| Air flow | m ³ /h | 170 |
| Sound power level | B | 5.3 |
| Sound pressure level | dB(A) | 43 |

ml = Max. load · me = Max. efficiency · fa = Free air · cs = Customer specification · ce = Customer equipment
 Subject to change

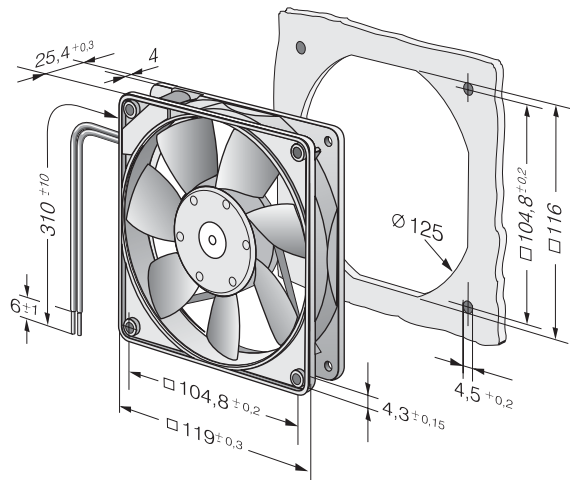


Technical description

| | |
|--|--|
| Housing material | Glass-fiber reinforced PBT plastic |
| Impeller material | Glass-fiber reinforced PA plastic |
| Weight | 0.170 kg |
| Dimensions | 119 x 119 x 25 mm |
| Airflow direction | Exhaust over struts |
| Direction of rotation | Counterclockwise, viewed toward rotor |
| Storage | Sintec sleeve bearing |
| Service life L10 at 40 °C | 60000 h |
| Service life L10 at maximum temperature | 37500 h |
| Cable | Leads AWG 24, TR 64, stripped and tin-plated. |
| Motor protection | Protection against reverse polarity and blocked rotor. |
| Locked-rotor protection | Locked-rotor and overload protection |
| Approval | VDE, CSA, UL, CE |



Product drawing



Curves: Air performance

