

2404KL (60[□]x 10^L)

NMB

NMBTC.COM / 248.919.2250

General Specifications

Motor Protection:

Auto Restart/Polarity Protection

Insulation Resistance: 10M Ω or over with a DC500V Megger

Dielectric Withstand Voltage: AC 700V 1s

Allowable Ambient Temperature Range:

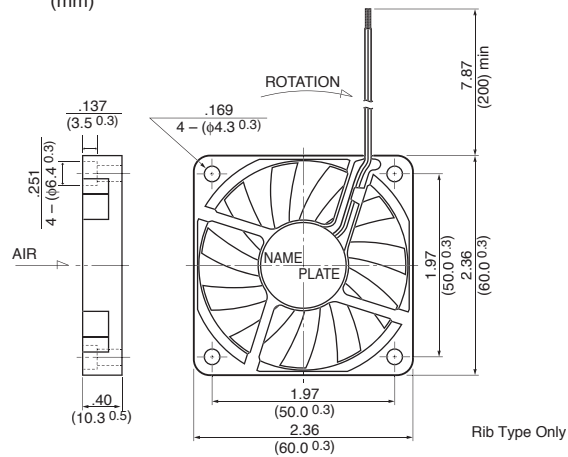
B50 Class: -10°C ~ +60°C (Operating)

B30, B40 Class: -10°C ~ +70°C (Operating)

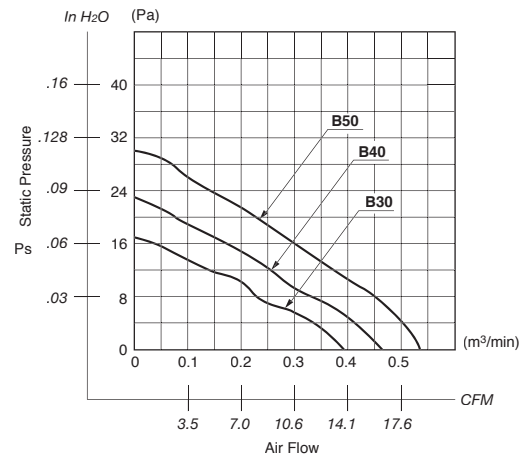
All Class: -40°C ~ +70°C (Storage)
(non-condensing environment)

Outline

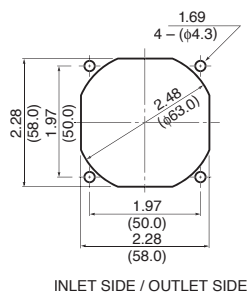
Units: $\frac{\text{inch}}{\text{mm}}$



Characteristic Curves



Panel Cut-outs



Material

- Casing : Plastic (Black) 94V-0
- Impeller : Plastic (Black) 94V-0
- Bearing : Ball Bearing
- Lead Wire: UL1061, AWG26, +Red, -Black

Specifications

| MODEL | Product No. | Rated Voltage | Operating Voltage | Current | Input Power | Speed | Max. Air Flow | | Max. Static Pressure | | Noise | Mass |
|-----------------|-------------|---------------|-------------------|-------------------|-------------------|------------------------------------|-------------------|-------------------------------------|----------------------|--------------------|--------------------|------|
| | | (V) | (V) | (A) ^{*1} | (W) ^{*1} | (min ⁻¹) ^{*1} | CFM ^{*1} | (m ³ /min) ^{*1} | in H ₂ O | (Pa) ^{*1} | (dB) ^{*1} | (g) |
| 2404KL-04W-B30- | X00 | 12 | 10.2 ~ 13.8 | 0.10 | 1.20 | 3600 | 13.7 | 0.39 | .07 | 16.7 | 29.0 | 25 |
| 2404KL-04W-B40- | X00 | 12 | 10.2 ~ 13.8 | 0.20 | 2.40 | 4200 | 16.2 | 0.46 | .09 | 23.0 | 33.0 | 25 |
| 2404KL-04W-B50- | X00 | 12 | 10.2 ~ 13.8 | 0.27 | 3.24 | 4800 | 19.0 | 0.54 | .12 | 30.1 | 36.0 | 25 |

Rotation: Clockwise

Airflow Outlet: Air Out Over Struts

*1: Average Values in Free Air