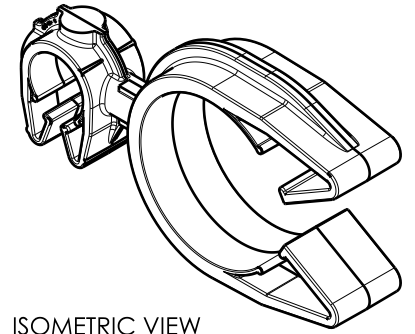
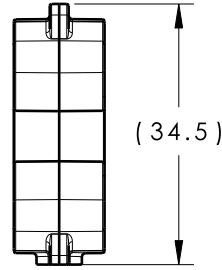
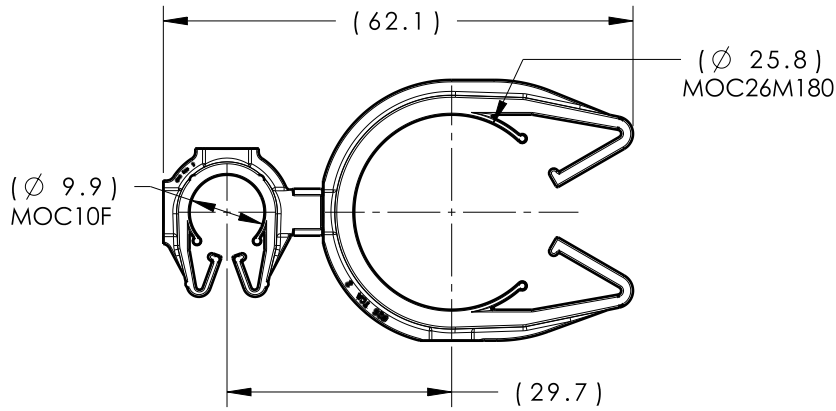
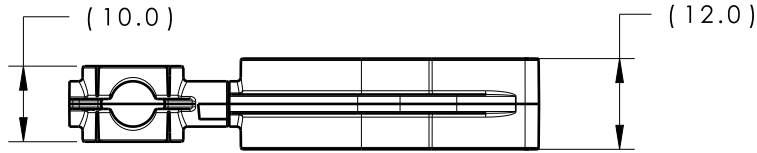
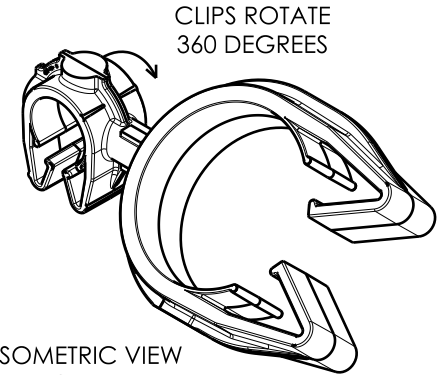


| Revision Level | | | Revision Record | Changed | Date | Approved | Date |
|----------------|----------------|------|-----------------|---------|---------|----------|---------|
| Drawing | State | Part | | | | | |
| 00.0 | Design Release | - | SEE ECN# 014503 | TAT | 6/28/18 | EJH | 6/28/18 |



ISOMETRIC VIEW



CLIPS ROTATE 360 DEGREES

ISOMETRIC VIEW ROTATED

| TYPE | MOC10F | MOC26M180 |
|----------------|---------------|---------------|
| HARNESS | 10.0MM-11.5MM | 23.0MM-28.5MM |
| HOSE | 9.5MM-11.5MM | 23.0MM-28.5MM |
| HARD PIPE/TUBE | 10.0MM-11.5MM | 25.9MM-29.0MM |

*RECOMMENDED SIZES MAY DIFFER DEPENDING ON THE APPLICATION, PRODUCT REQUIREMENTS AND MATERIALS USED

PATENT PENDING 29/582,271

| GLOBAL PART DESCRIPTION | MOC10F** | | | MOC26M180** | | |
|--------------------------------|-----------------|-------------|-------|-----------------|-------------|-------|
| | DRAWING | MATERIAL | COLOR | DRAWING | MATERIAL | COLOR |
| MOC10FMOC26M180-PA66HIRHSUV-BK | 16-0318-000-CSU | PA66HIRHSUV | BLACK | 16-0325-000-CSU | PA66HIRHSUV | BLACK |

| | | | | | | | | | | | |
|---|-------------------------------------|--|--|------------|------------------------|---------|-----------------|--------------------------------|--|----------------|---------|
| Material SEE CHART COLOR: SEE CHART | Units | millimeters | The copyright of this drawing is reserved by HellermannTyton. It is issued on condition that it is not reproduced, copied or disclosed to a third party, either wholly or in part, without the consent of HellermannTyton. | Drawn | TAT | 6/27/18 | Article/Type-No | MOC10FMOC26M180 | | Scale | 1:1 |
| | Tolerance defined on each dimension | Approved | | EJH | 6/27/18 | Title | | 10MM MOC COUPLED TO A 26MM MOC | | Project Number | 16-0330 |
| | |  | | Drawing-No | PRODUCTION : Phase | | Format | AH | | | |
| | | | | | 16-0330-382-CSU | | Sheet | 1/1 | | | |

North America
Email: corp@htamericas.com
Web: www.hellermann.tyton.com