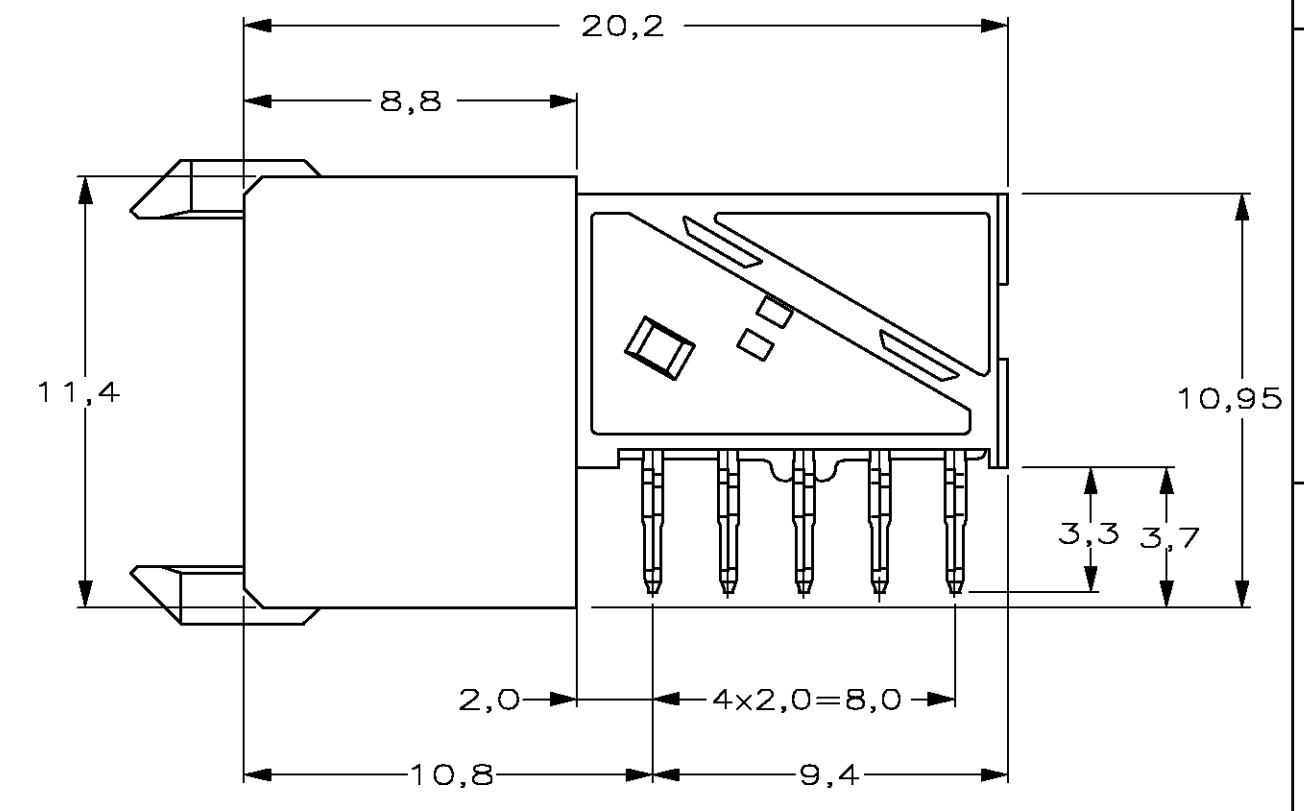
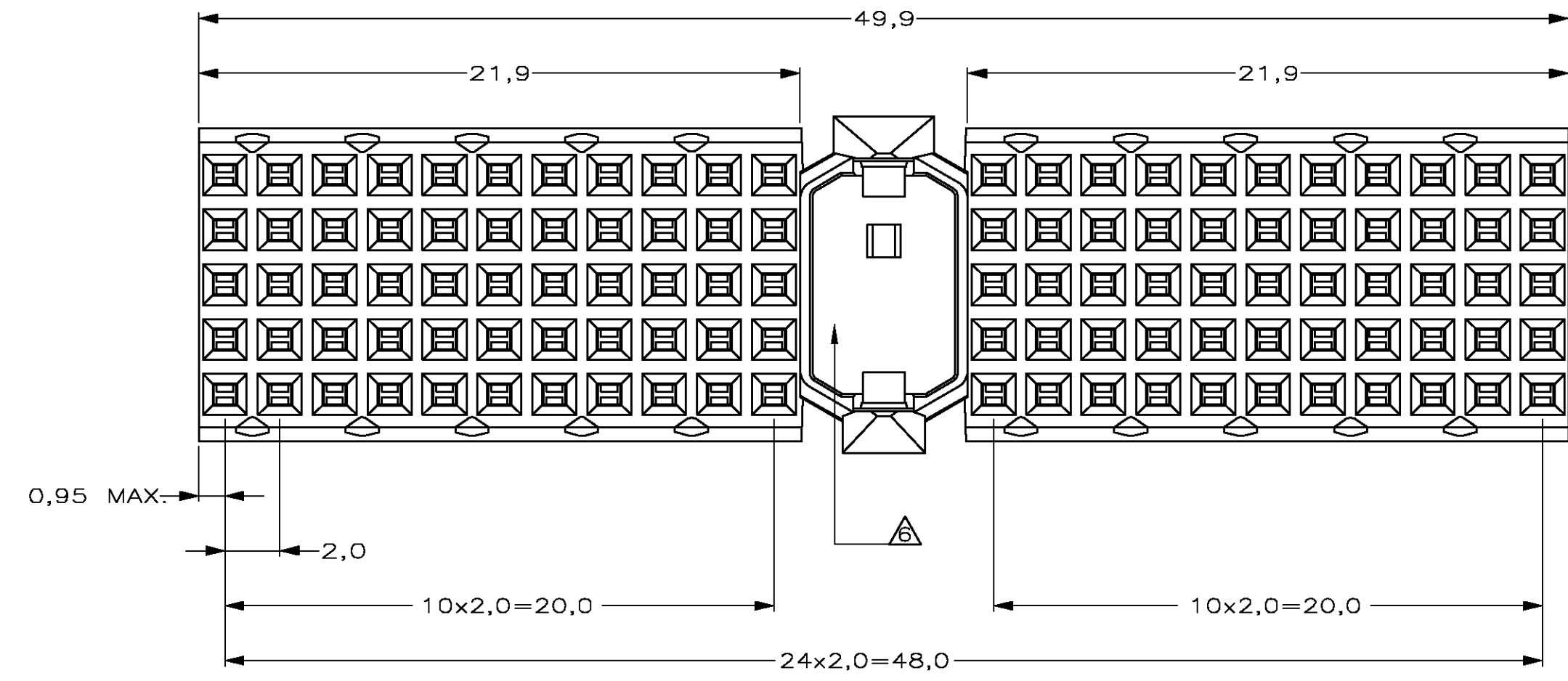
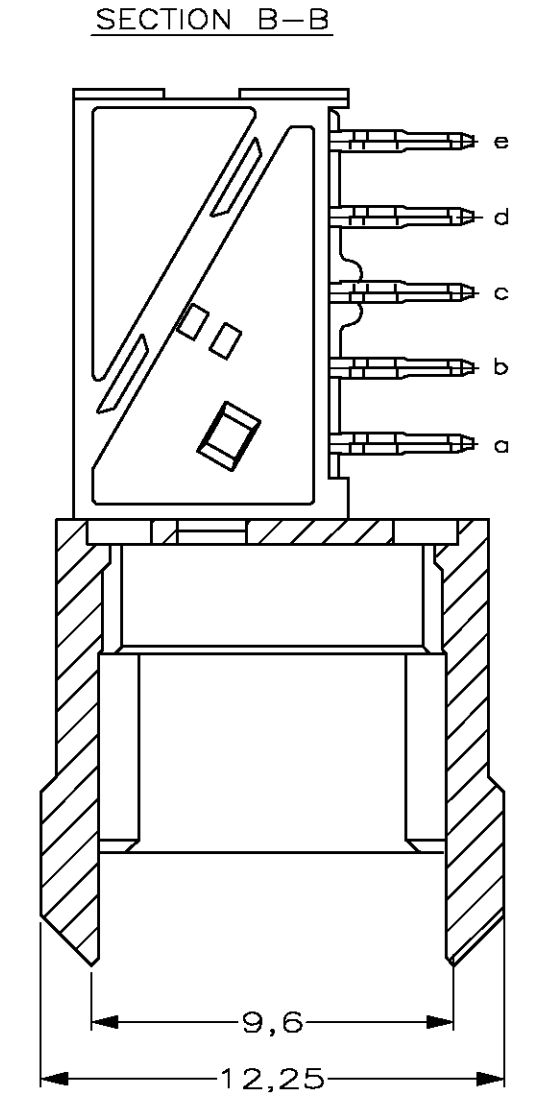
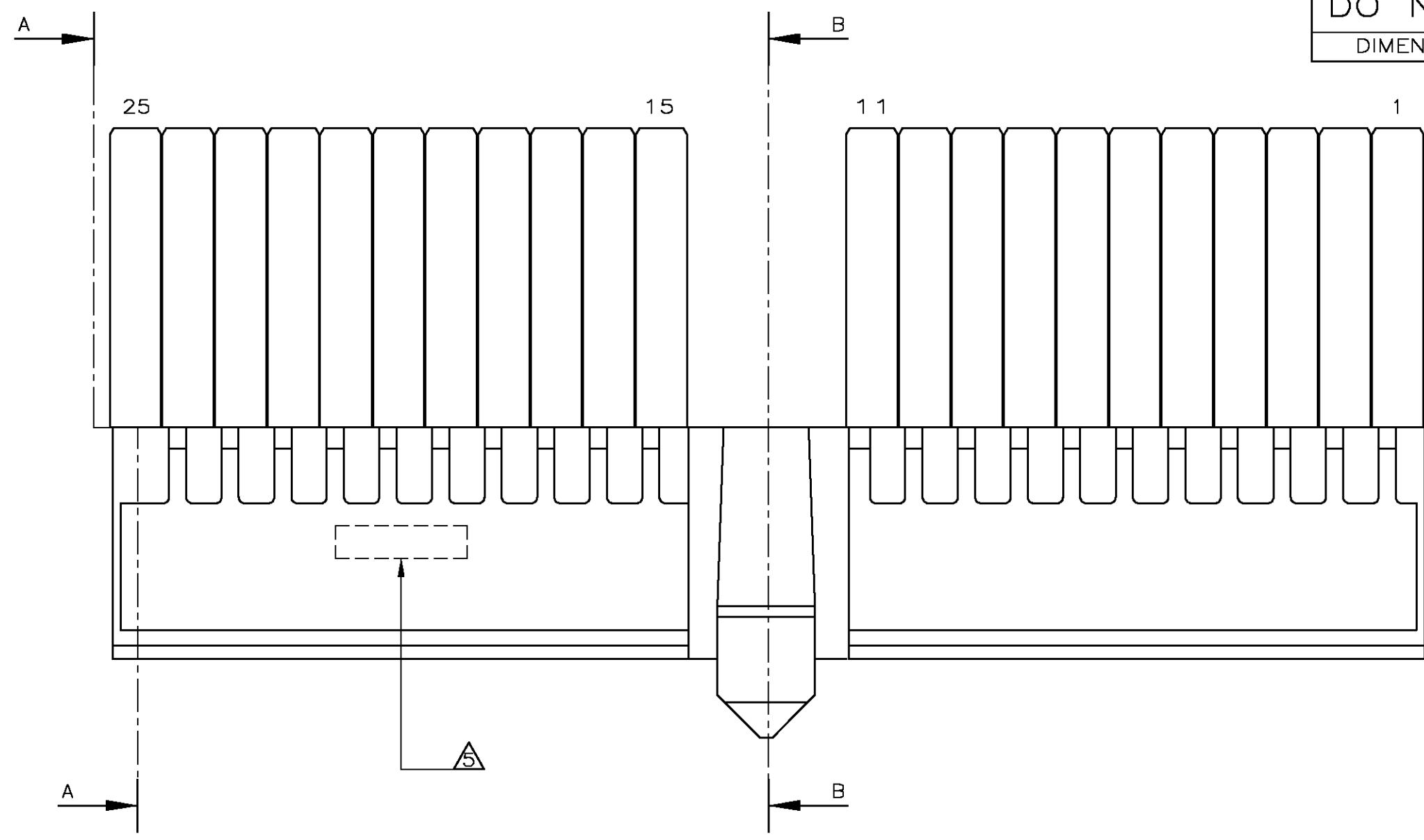
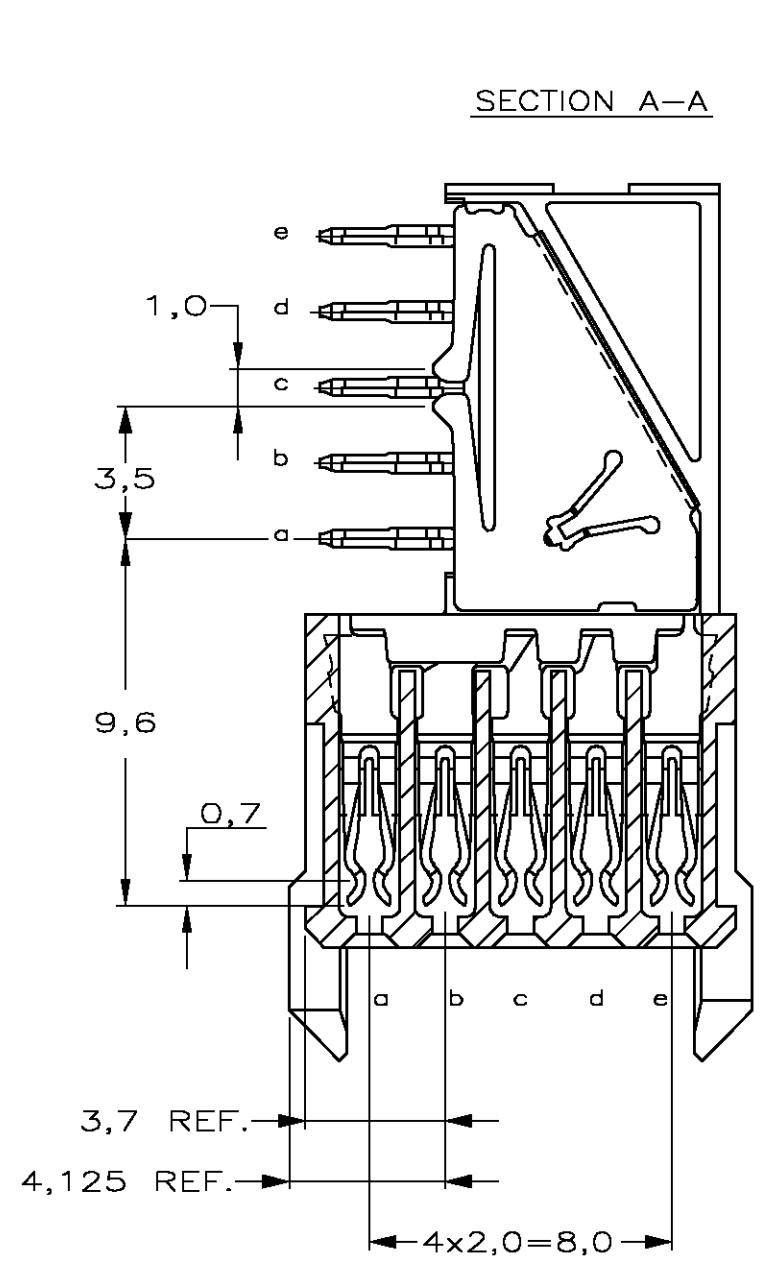


DO NOT SCALE
DIMENSIONS IN mm

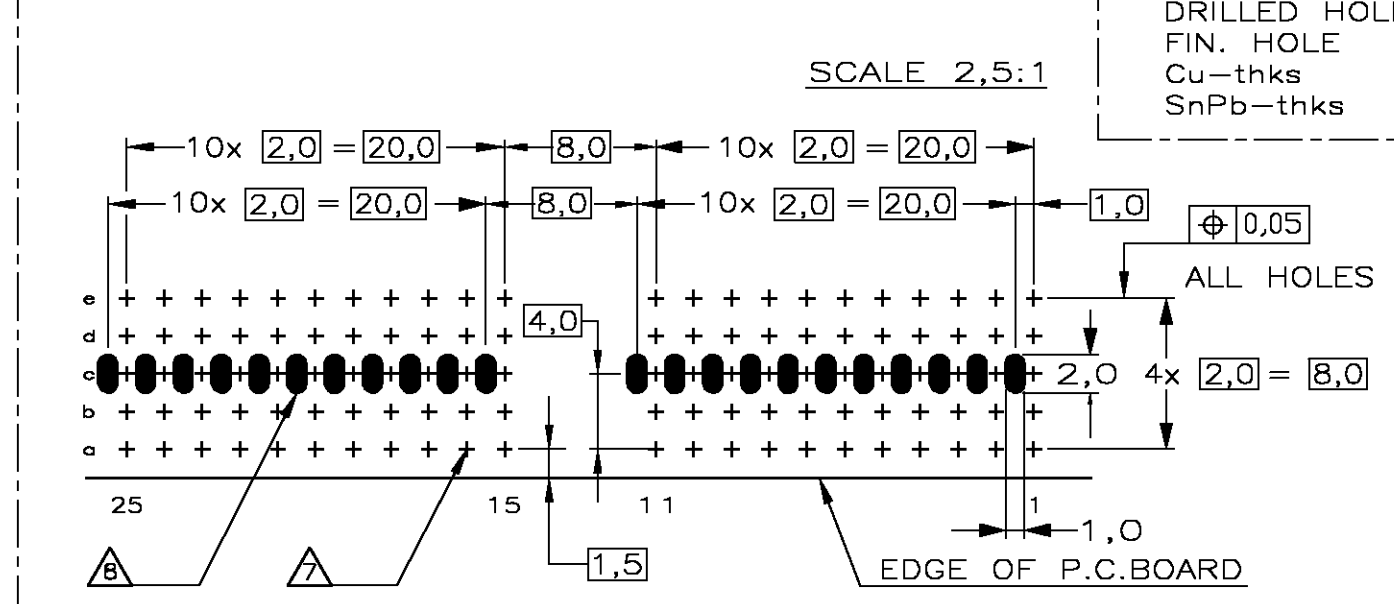
METRIC

THIRD ANGLE
PROJECTION



- NOTES:**
- ⚠ PLATING CONTACT AREA: 0,76µm Au MIN. OVER 1,27µm Ni MIN
ACTION PIN, 0,5µm SnPb MIN. OVER 1,27µm Ni MIN
REDUCED CROSS-TALK SHIELD, 0,5µm SnPb MIN.
 - ⚠ PLATING CONTACT AREA: 2,0µm Au MIN. OVER 1,27µm Ni MIN
ACTION PIN, 0,5µm SnPb MIN. OVER 1,27µm Ni MIN
REDUCED CROSS-TALK SHIELD, 0,5µm SnPb MIN.
 - ⚠ PLATING CONTACT AREA: 1,27µm Au MIN. OVER 1,27µm Ni MIN
ACTION PIN, 0,5µm SnPb MIN. OVER 1,27µm Ni MIN
REDUCED CROSS-TALK SHIELD, 0,5µm SnPb MIN.
 - ⚠ MATERIAL :
CONTACT; PHOSPHORBRONZE
REDUCED CROSS-TALK SHIELD; PHOSPHORBRONZE
HOUSING; GLASSFILLED POLYESTER (GRAY)
 - ⚠ CONNECTOR PRINTED WITH PARTNUMBER AND DATECODE
THE MARKING CAN APPEAR ON THE FRONT SIDE OR ON THE BACK SIDE.
 - ⚠ AREA RESERVED FOR KEYING PART (BASIC P.N.100526)
 - ⚠ PLATED-THROUGH HOLES AT 2x2mm SQUARE GRID
TOTAL 110 HOLES.
 - ⚠ PLATED SPOT ONLY ON COMPONENT SIDE, FORMING ONE CONTACT
WITH PLATED THROUGH HOLES OF ROW C
 - 9 FITS ONLY WITH INTEGRATED GROUND RETURN
UPPERSHIELD 338107-2 AND LOWERSHIELD 338108-2.

RECOMMENDED P.C.B. HOLE LAY-OUT
COMPONENT SIDE AS SHOWN



P.C.B. HOLE DIM. ACTION PIN

DRILLED HOLE	:0,7	±0,025 mm
FIN. HOLE	:0,55 TO 0,65	mm
Cu-thks	:0,025 TO 0,050	mm
SnPb-thks	:0,004 TO 0,010	mm

FINISH	MATERIAL	PARTNUMBER
⚠	⚠	100623-4
⚠	⚠	100623-3
⚠	⚠	100623-1

REV.	DESCRIPTION	BY	DATE
H	SR10-0216-01	DKB	29-MAY-01
G	EH-0137-97	EM	11-FEB-97
F	EH-0439-95	JvdK	07-APR-95
E	EH-0378-93	JvdK	05-JAN-95
D	EH-0378-93	PVT	21-02-94
C	EH-0378-93	WV	17-06-93
LTR.	REVISION RECORD	DR.	CHK.
DR.:	E. MEHLMANN	CHK.:	W.v.d.HEIJDEN
DATE:	11-FEB-97	DATE:	11-FEB-97
APP.:	B. MOOIJ	DATE:	-

CUSTOMER DRAWING FOR REFERENCE ONLY WILL NOT BE UPDATED

© COPYRIGHT 19 - BY AMP-HOLLAND B.V.
ALL INTERNATIONAL RIGHTS RESERVED. AMP PRODUCTS MAY BE COVERED BY U.S. AND FOREIGN AND/OR PATENTS PENDING.
THIS DRAWING IS UNPUBLISHED
RELEASED FOR PUBLICATION

Tyco Electronics Tyco Electronics Corp.
Oostkamp, Belgium.

NAME: Z-PACK 2mm H.M. TYPE A
110 POS. FEMALE CONNECTOR
WITH REDUCED CROSS-TALK SHIELD

DWG.No.	REV.LTR.	SHEET
C-100623	H	1 OF 1