

30.5	29.3	25.65	24.5	54104-5096	54104 - 5039	50
28.5	27.3	23.65	22.5	54104-4696	54104 - 4639	46
28.0	26.8	23.15	22.0	54104-4596	54104 - 4539	45
25.5	24.3	20.65	19.5	54104-4096	54104 - 4039	40
24.5	23.3	19.65	18.5	54104-3896	54104 - 3839	38
23.5	22.3	18.65	17.5	54104-3696	54104 - 3639	36
23.0	21.8	18.15	17.0	54104-3596	54104 - 3539	35
22.5	21.3	17.65	16.5	54104-3496	54104 - 3439	34
22.0	20.8	17.15	16.0	54104-3396	54104 - 3339	33
21.5	20.3	16.65	15.5	54104-3296	54104 - 3239	32
20.5	19.3	15.65	14.5	54104-3096	54104 - 3039	30
D	C	B	A	EMBOSSED TAPE	MATERIAL NO.	CIRCUIT
				ORDER No. オーダー番号		

金具
FITTING NAIL

GENERAL TOLERANCES (UNLESS SPECIFIED)

10 ^{UNDER}	±0.2
10 ^{OVER} 30 ^{UNDER}	±0.25
30 ^{OVER}	±0.3
ANGULAR	±3°

THIS DRAWING CONTAINS INFORMATION THAT IS PROPRIETARY TO MOLEX ELECTRONIC TECHNOLOGIES, LLC AND SHOULD NOT BE USED WITHOUT WRITTEN PERMISSION

DIMENSION UNITS: mm SCALE: NTS

GENERAL TOLERANCES (UNLESS SPECIFIED): ANGULAR TOL ± °

4 PLACES ± °
3 PLACES ± °
2 PLACES ± °
1 PLACE ± °
0 PLACES ± °

DRAFT WHERE APPLICABLE MUST REMAIN WITHIN DIMENSIONS

THIRD ANGLE PROJECTION

DRAWING: A3-SIZE

SERIES: 54104

EC NO: 719890
DRWN: NARENC
CHK'D: SMARUYAMA
APPR: YNAITO

INITIAL REVISION:
DRWN: YSAKIYAMA
APPR: MSASAO

2022/08/22
2022/09/05
2022/09/05

2004/01/27
2004/01/29

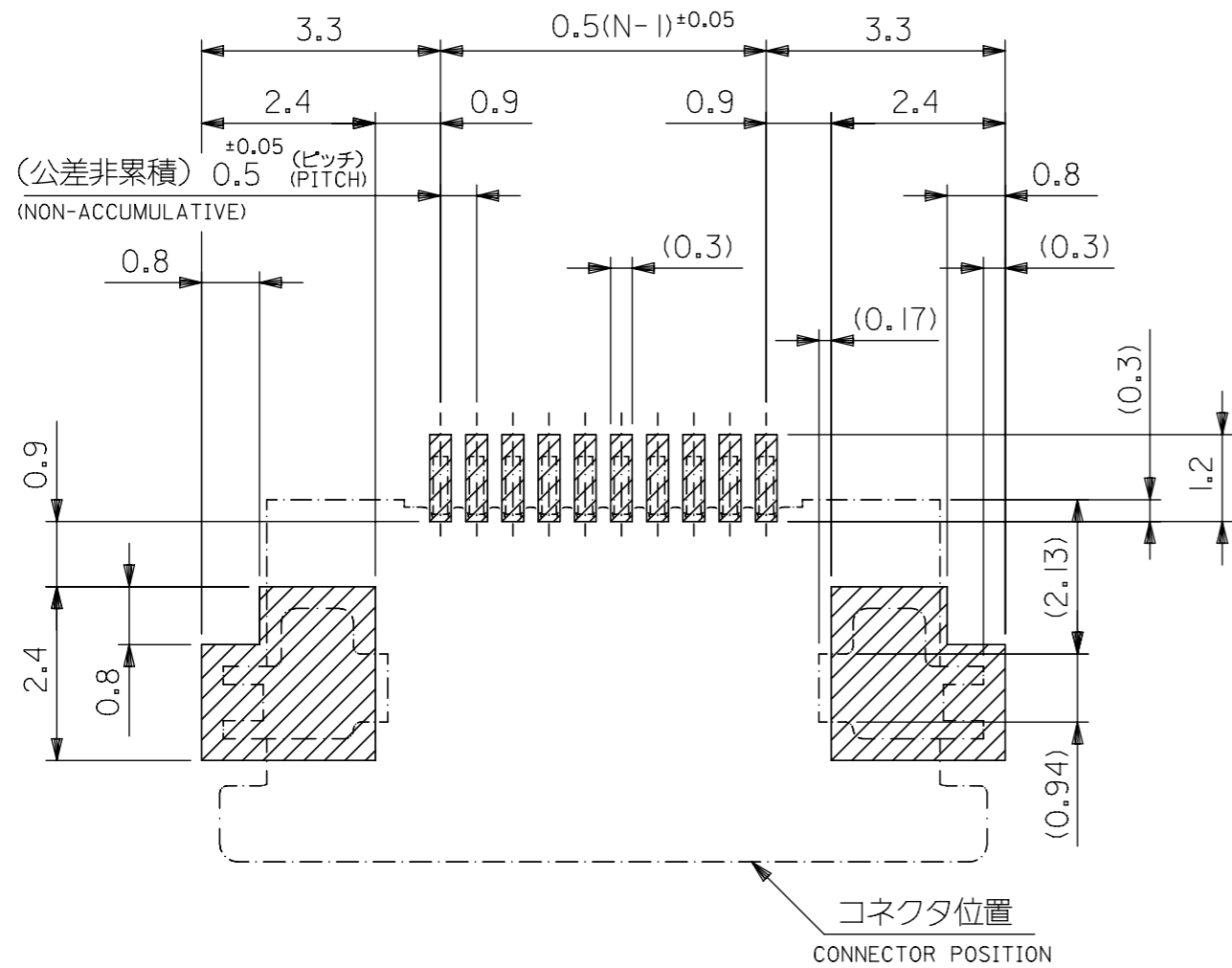
molex

0.5 FPC CONN ZIF HSG
ASSY FOR SMT RA UPR CONT -LEAD FREE-

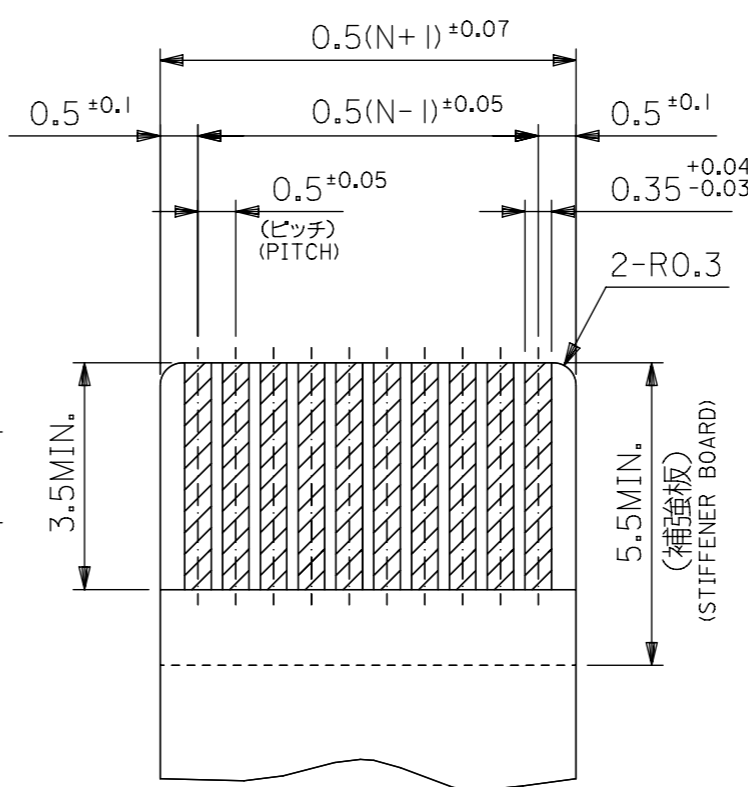
PRODUCT CUSTOMER DRAWING

DOCUMENT NUMBER: SD-54104-071
DOC TYPE: PSD
DOC PART: 001
REVISION: B

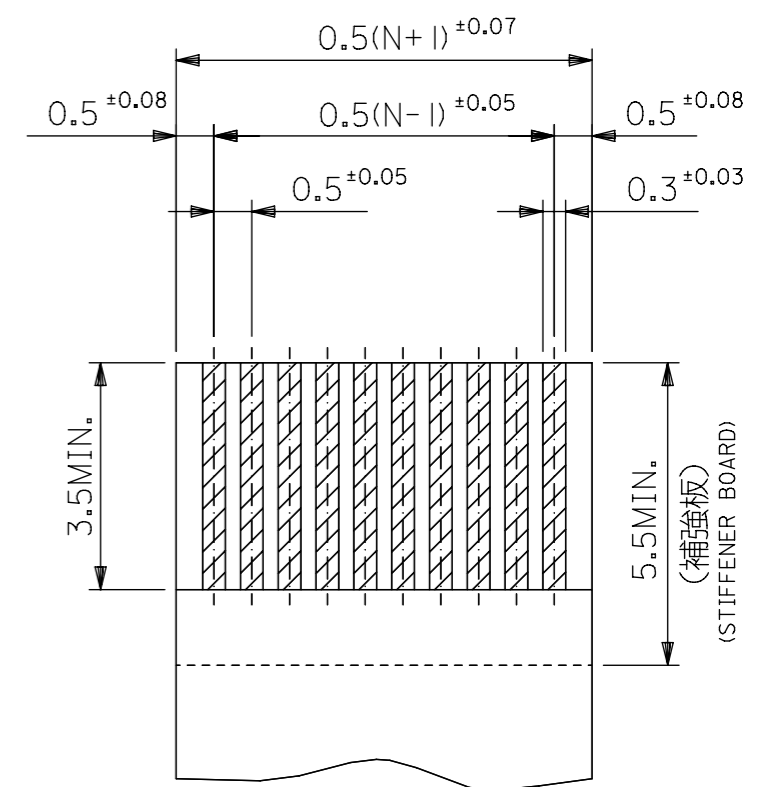
MATERIAL NUMBER: SEE TABLE
CUSTOMER: GENERAL MARKET
SHEET NUMBER: 1 OF 2



参考基板レイアウト
RECOMMENDED P.C.BOARD
PATTERN DIMENSION (REF.)
(マウント面)
(MOUNTING SIDE)



適合FPC推奨寸法
APPLICABLE FPC
RECOMMENDED DIMENSION
(仕上がり厚さ: 0.3±0.03)
(THICKNESS: 0.3±0.03)



適合FFC推奨寸法
APPLICABLE FFC
RECOMMENDED DIMENSION
(仕上がり厚さ: 0.3±0.03)
(THICKNESS: 0.3±0.03)

注記 NOTES

- I. 使用材料 MATERIAL
- ハウジング HOUSING : 46ナイロン, UL94V-0, 46NYLON
 - アクチュエータ ACTUATOR : PPS, UL94V-0
 - ターミナル TERMINAL : リン青銅, ニッケル下地 錫ビスマスメッキ (t=0.2) PHOS-BRONZE, TIN-BISMUTH OVER NICKEL PLATING.(t=0.2)
 - 金具 FITTING NAIL : リン青銅, ニッケル下地 錫メッキ (t=0.2) PHOS-BRONZE, TIN OVER NICKEL PLATING.(t=0.2)

2. エンボステープ梱包時は、アクチュエータがロックした状態とする。
IN THE PACKAGE, ACTUATOR OF PART NO.54104-***39 SHOULD BE LOCKED.
- ⚠️ ソルダータール半田付け面のズレ量、及び金具半田付け面のズレ量は、基準面 **H** に対し上方向 0.1 MAX. 下方向 0.15 MAX. とし、相互のバラツキ量は、0.1 MAX. とする。
MISALIGNMENT OF SOLDER TAILS AND FITTING NAILS FROM UPPER DIRECTION: 0.1 MAX. , LOWER DIRECTION: 0.15 MAX. OFFSET BETWEEN UPPER AND LOWER 0.1 MAX. **H**
- ⚠️ 偶数極に適用。
APPLY FOR EVEN CIRCUIT.
- ⚠️ パターンはくり止め用金具
FITTING NAIL FOR PREVENTION OF PEELING OF P.C.B. PATTERN.
6. 本製品は 54104-***37 の鉛フリー品である。
THIS PRODUCT IS LEAD FREE OF 54104-***37.

FPC/FFCについて

打抜き方向は導体側から補強板側を推奨いたします。
導体部については軟銅箔35マイクロメートルまたは50マイクロメートルメッキ厚 3~9マイクロメートル錫または半田メッキ (電気メッキ)
RECOMMENDED PUNCHER DIRECTION:
FROM CONDUCTOR SIDE TO STIFFENER BOARD SIDE.
RECOMMENDED CONDUCTOR SPEC.:
THICKNESS OF SOFT COPPER FOIL:
35 micrometer or 50 micrometer
TIN OR SOLDER PLATING:
3~9 micrometer (ELECTRICAL PLATING)

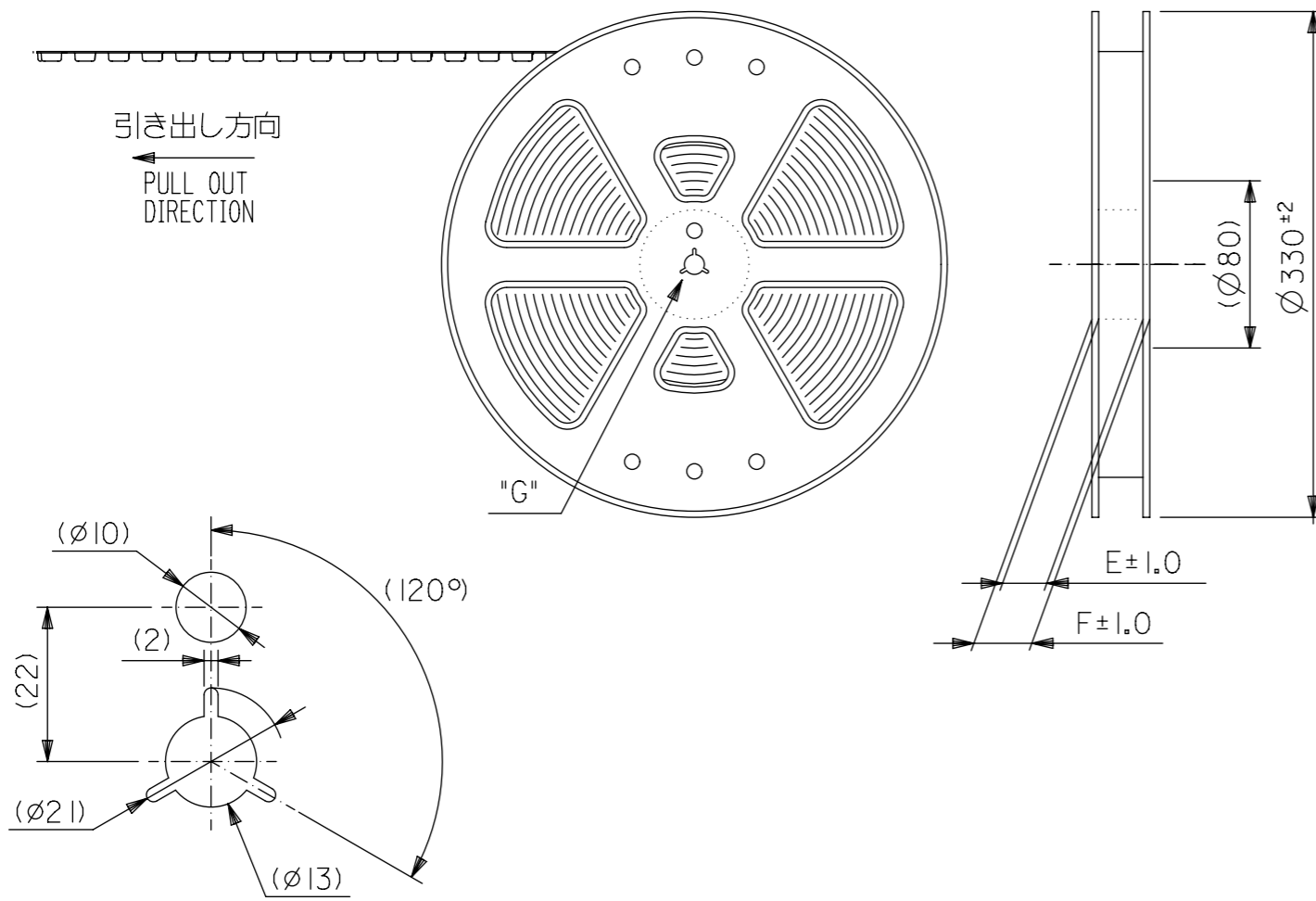
FPCについて

補強フィルム材質はポリイミドを推奨致します。
接着剤は熱硬化接着剤を推奨致します。
RECOMMENDED MATERIAL:
STIFFENER FILM : POLYIMIDE
BONDING AGENT : THERMOSETTING BONDING AGENT

54104-***39 MODEL NO.

THIS DRAWING CONTAINS INFORMATION THAT IS PROPRIETARY TO MOLEX ELECTRONIC TECHNOLOGIES, LLC AND SHOULD NOT BE USED WITHOUT WRITTEN PERMISSION		CURRENT REV DESC:		molex	
DIMENSION UNITS	SCALE				
mm	NTS			0.5 FPC CONN ZIF HSG ASSY FOR SMT RA UPR CONT -LEAD FREE-	
GENERAL TOLERANCES (UNLESS SPECIFIED)		GENERAL TOLERANCES (UNLESS SPECIFIED)		PRODUCT CUSTOMER DRAWING	
ANGULAR TOL ± °		ANGULAR TOL ± °		DOCUMENT NUMBER	
4 PLACES ±		4 PLACES ±		SD-54104-071	
3 PLACES ±		3 PLACES ±		DOC TYPE	
2 PLACES ±		2 PLACES ±		PSD	
1 PLACE ±		1 PLACE ±		DOC PART	
0 PLACES ±		0 PLACES ±		001	
DRAFT WHERE APPLICABLE MUST REMAIN WITHIN DIMENSIONS		THIRD ANGLE PROJECTION		REVISION	
		DRAWING		B	
		SERIES		SHEET NUMBER	
		A3-SIZE		2 OF 2	
		54104			
		MATERIAL NUMBER		CUSTOMER	
		SEE TABLE		GENERAL MARKET	

GENERAL TOLERANCES (UNLESS SPECIFIED)	
10 ^{UNDER}	±0.2
10 ^{OVER} 30 ^{UNDER}	±0.25
30 ^{OVER}	±0.3
ANGULAR	±3°



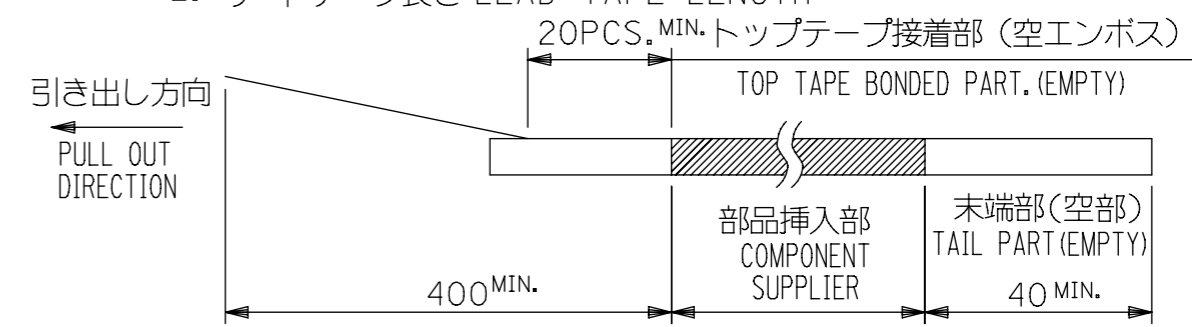
DETAIL "G"

4. 材料 (MATERIAL)
 キャリアテープ (CARRIER TAPE) : ポリプロピレン (POLYPROPYLENE)
 トップテープ (TOPTAPE) : PET, PE, PEF
 リール (REEL) : ポリスチレン (PS) <リサイクル材を含む>
 POLYSTYRENE (PS) <RECYCLE MATERIAL CONTAINED>

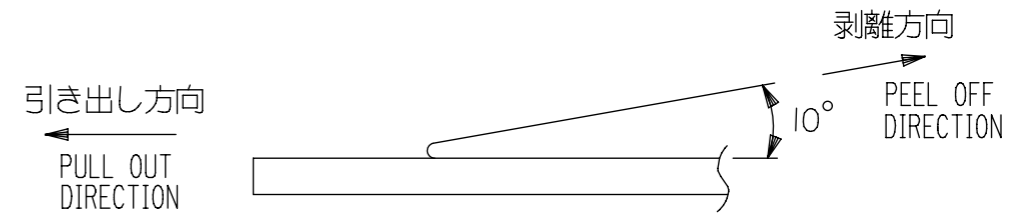
5. 本製品は 54104-***92 の鉛フリー品である。
 THIS PRODUCT IS LEAD FREE OF 54104-***92.

NOTES

- 梱包数量 : 1500個/リール
 NUMBER OF CONNECTORS : 1500PCS/REEL
- リードテープ長さ LEAD TAPE LENGTH



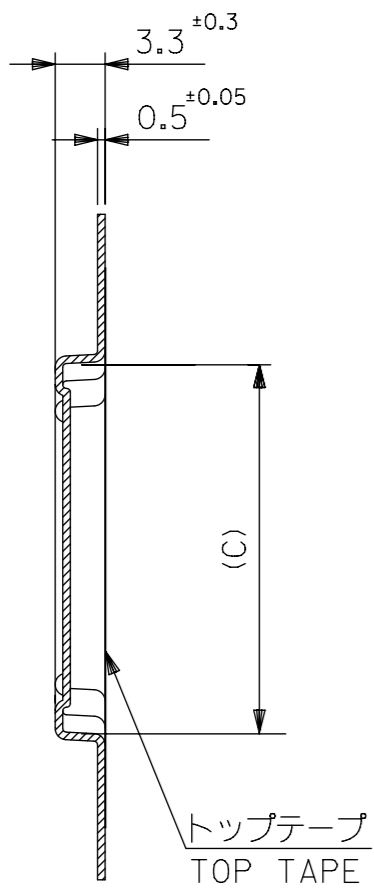
- トップテープの剥離強度 : 0.1 ~ 1.3N {10 ~ 130gf}
 (剥離方向は下図参照)
 尚、本規格値は出荷時に適用。(但し、輸送時に剥離が発生しないこと。)
 PEELING OFF FORCE OF TOP TAPE : 0.1 ~ 1.3N {10 ~ 130gf}
 (PEELING DIRECTION AS SHOWN IN FOLLOWING FIG.)
 THIS REQUIREMENT SHOULD BE APPLIED AT SHIPMENT.
 PEEL OFF SHOULD NOT BE ALLOWED, DURING TRANSPORTATION.



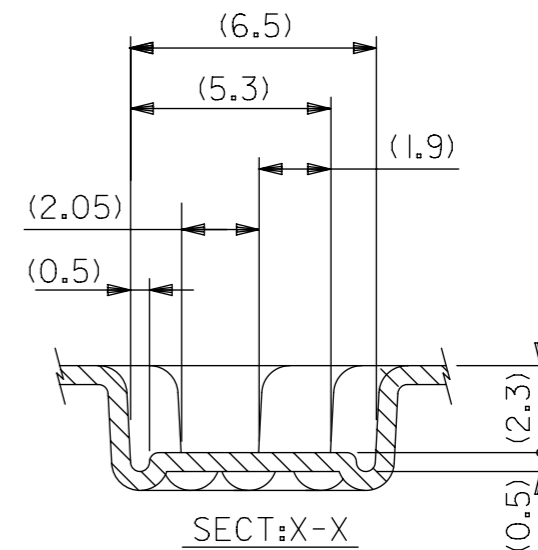
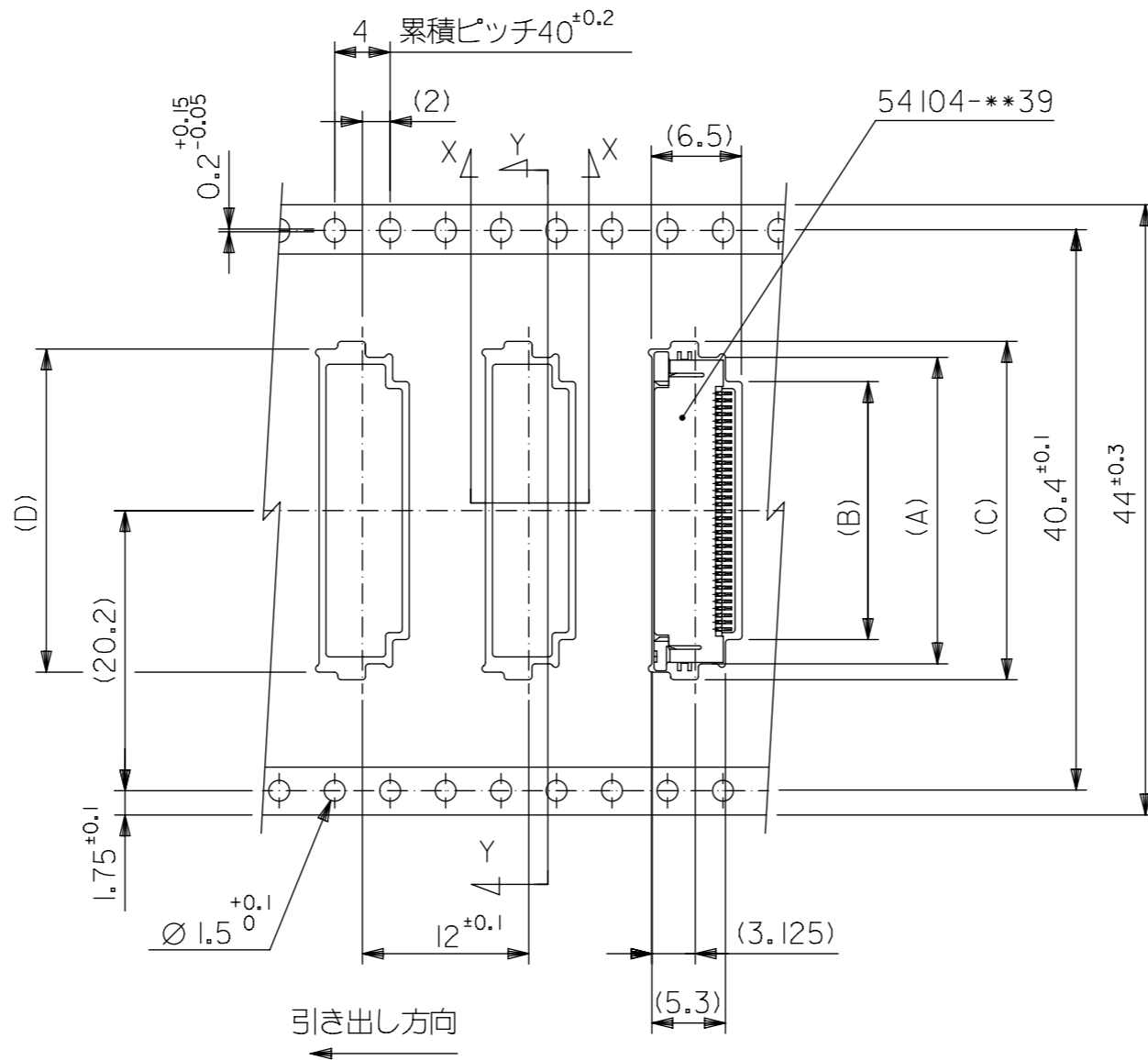
44	49.4	45.4	30.8	31.9	26.1	29.6	54104-5096	50
			28.8	29.9	24.1	27.6	-4696	46
			28.3	29.4	23.6	27.1	-4596	45
			25.8	26.9	21.1	24.6	-4096	40
			24.8	25.9	20.1	23.6	-3896	38
			23.8	24.9	19.1	22.6	-3696	36
			23.3	24.4	18.6	22.1	-3596	35
			22.8	23.9	18.1	21.6	-3496	34
			22.3	23.4	17.6	21.1	-3396	33
			21.8	22.9	17.1	20.6	-3296	32
20.8	21.9	16.1	19.6	54104-3096	30			
キャリアテープ幅 CARRIER TAPE WIDTH	F	E	D	C	B	A	MATERIAL NO.	CIRCUIT

MODEL NO. 54104-***96

THIS DRAWING CONTAINS INFORMATION THAT IS PROPRIETARY TO MOLEX ELECTRONIC TECHNOLOGIES, LLC AND SHOULD NOT BE USED WITHOUT WRITTEN PERMISSION		CURRENT REV DESC:		molex	
DIMENSION UNITS	SCALE	EC NO: 719890			
mm	NTS	DRWN: NARENC 2022/08/22		PRODUCT CUSTOMER DRAWING	
GENERAL TOLERANCES (UNLESS SPECIFIED)		CHK'D: SMARUYAMA 2022/09/05		DOCUMENT NUMBER	
ANGULAR TOL ± °		APPR: YNAITO 2022/09/05		SD-54104-072	
4 PLACES ±		INITIAL REVISION:		DOC TYPE DOC PART REVISION	
3 PLACES ±		DRWN: YSAKIYAMA 2004/01/27		PSD 001 B	
2 PLACES ±		APPR: MSASAO 2004/01/29		MATERIAL NUMBER	
1 PLACE ±		DRAWING		CUSTOMER	
0 PLACES ±		SERIES		SHEET NUMBER	
DRAFT WHERE APPLICABLE MUST REMAIN WITHIN DIMENSIONS		THIRD ANGLE PROJECTION		SEE TABLE	
GENERAL TOLERANCES (UNLESS SPECIFIED)		DRAWING		GENERAL MARKET	
10 ^{UNDER}	±0.2	A3-SIZE		1 OF 2	
10 ^{OVER} 30 ^{UNDER}	±0.25	54104			
30 ^{OVER}	±0.3				
ANGULAR	±3 °				



SECT:Y-Y



SECT:X-X
(SCALE:5-1)

THIS DRAWING CONTAINS INFORMATION THAT IS PROPRIETARY TO MOLEX ELECTRONIC TECHNOLOGIES, LLC AND SHOULD NOT BE USED WITHOUT WRITTEN PERMISSION		CURRENT REV DESC:		molex	
DIMENSION UNITS	SCALE				
mm	NTS			EMBSTP PKG FOR 0.5 FPC CONN. ZIF HSG ASSY -LEAD FREE-	
GENERAL TOLERANCES (UNLESS SPECIFIED)		EC NO: 719890		PRODUCT CUSTOMER DRAWING	
ANGULAR TOL ± °		DRWN: NARENC 2022/08/22		DOCUMENT NUMBER	
4 PLACES ±		CHK'D: SMARUYAMA 2022/09/05		SD-54104-072	
3 PLACES ±		APPR: YNAITO 2022/09/05		DOC TYPE DOC PART REVISION	
2 PLACES ±		INITIAL REVISION:		PSD 001 B	
1 PLACE ±		DRWN: YSAKIYAMA 2004/01/27		MATERIAL NUMBER	
0 PLACES ±		APPR: MSASAO 2004/01/29		CUSTOMER	
DRAFT WHERE APPLICABLE MUST REMAIN WITHIN DIMENSIONS		THIRD ANGLE PROJECTION	DRAWING	SERIES	SHEET NUMBER
			A3-SIZE	54104	2 OF 2

GENERAL TOLERANCES (UNLESS SPECIFIED)	
10 ^{UNDER}	±0.2
10 ^{OVER} 30 ^{UNDER}	±0.25
30 ^{OVER}	±0.3
ANGULAR	±3 °