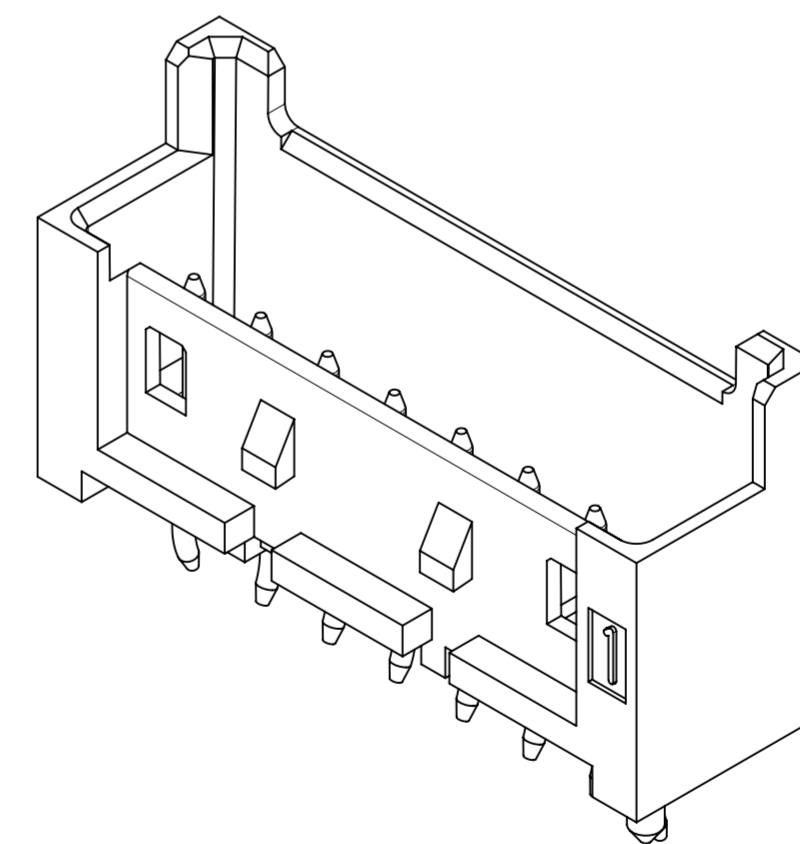


NOTES

1. 材料及び仕上げ(めっき仕様) : TABLE 1参照
MATERIAL AND FINISHES : SEE TABLE 1
2. 製品仕様書 : 511630000-PS 000
PRODUCT SPECIFICATION:511630000-PS 000
3. 梱包仕様書 : 533759200-SPK 200
PACKAGING SPECIFICATION: 533759200-SPK 200
4. 嵌合相手 : 51163 シリーズ
MATES WITH:51163 SERIES
5. アプリケーション仕様書(コネクタ取扱い説明書) : 2166940000-AS PS 000
APPLICATION SPECIFICATION(CONNECTOR MANUAL) : 2166940000-AS PS 000
6. 偶数極に適合
APPLY FOR EVEN CIRCUIT
7. 3極以上のキンク形状は両サイドが (A)、その他の極はすべて (B) 形状とする
KINK FORM
MORE THAN 2 CIRCUIT :
PINS AT BOTH ENDS ARE KINK FORMED TO (A).
THE OTHER PINS ARE KINK FORMED TO (B).

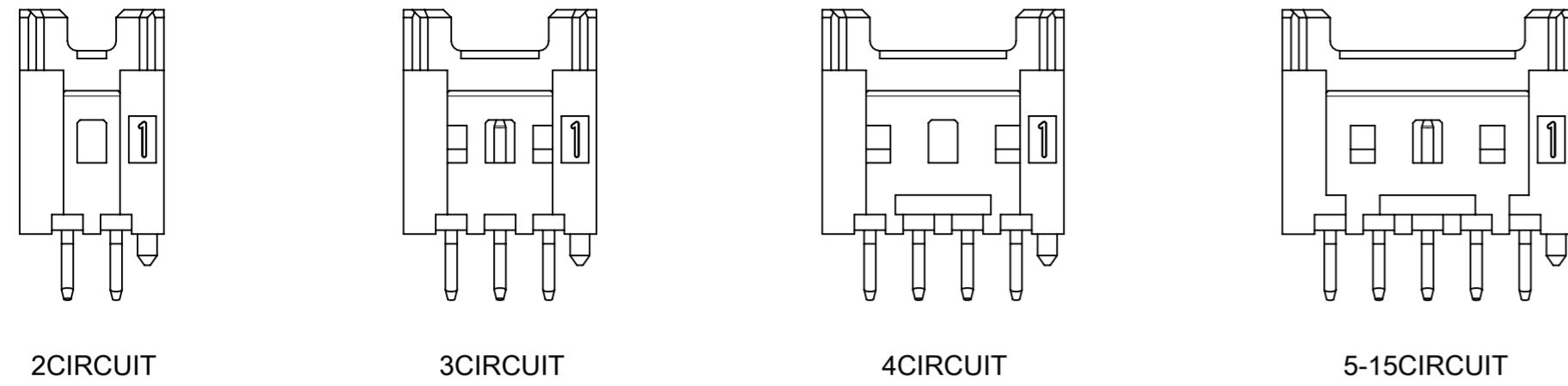


| | | | HOUSING COLOR | |
|------|------|------|------------------|--------------|
| | | | NATURAL(WHITE) | |
| 38.2 | 35 | 39.9 | 533751510 | 15 |
| 35.7 | 32.5 | 37.4 | 533751410 | 14 |
| 33.2 | 30 | 34.9 | 533751310 | 13 |
| 30.7 | 27.5 | 32.4 | 533751210 | 12 |
| 28.2 | 25 | 29.9 | 533751110 | 11 |
| 25.7 | 22.5 | 27.4 | 533751010 | 10 |
| 23.2 | 20 | 24.9 | 533750910 | 9 |
| 20.7 | 17.5 | 22.4 | 533750810 | 8 |
| 18.2 | 15 | 19.9 | 533750710 | 7 |
| 15.7 | 12.5 | 17.4 | 533750610 | 6 |
| 13.2 | 10 | 14.9 | 533750510 | 5 |
| 10.7 | 7.5 | 12.4 | 533750410 | 4 |
| 8.2 | 5 | 9.9 | 533750310 | 3 |
| 5.7 | 2.5 | 7.4 | 533750210 | 2 |
| C | B | A | 発注番号 | |
| | | | ORDER No. | 極数 |
| | | | 梱包形態 : ポリ袋 | CIRCUIT SIZE |
| | | | PACKAGE:POLY BAG | |

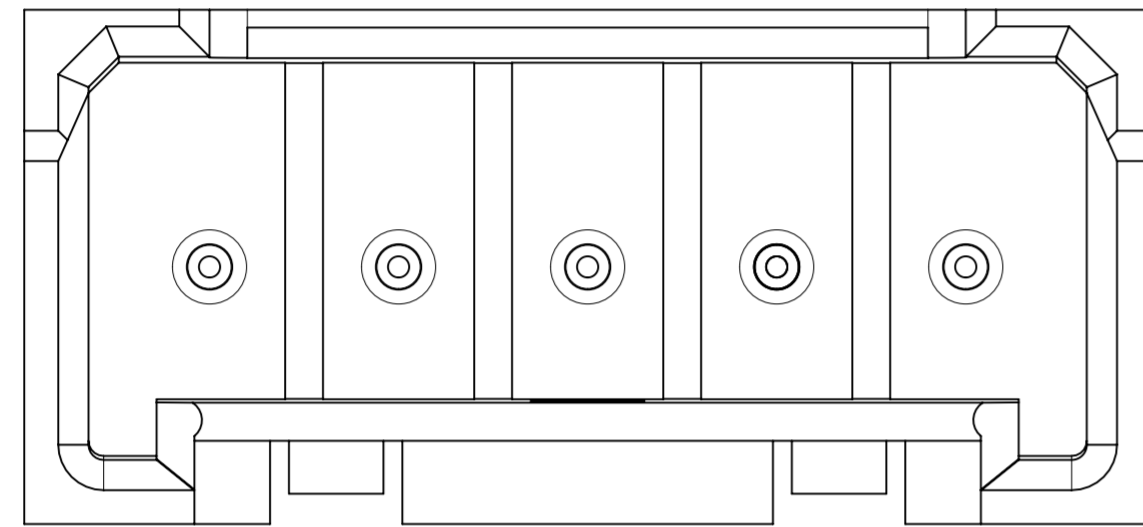
TABLE 1

| 部品 PART | 材料 MATERIAL | | | |
|-------------------------|---|--------------|------------|----------|
| ① プラグハウジング PLUG HOUSING | ポリエステル ガラス含有 UL94 V-0 色 : ナチュラル(白) POLYESTER(PBT),GLASS FILLED,UL94 V-0,COLOR:NATURAL(WHITE) | | | |
| ② プラグピン PLUG PIN | りん青銅 PHOSPHOR BRONZE | | | |
| | 錫めっき : 1.0MICRO METER MINIMUM. TIN PLATING : 1.0MICRO METER MINIMUM. | | | |
| | 銅めっき(下地めっき):0.5MICRO METER MINIMUM COPPER PLATING(UNDER PLATING):0.5MICRO METER MINIMUM. | | | |
| DOCUMENT STATUS | P1 | RELEASE DATE | 2021/04/06 | 06:45:31 |

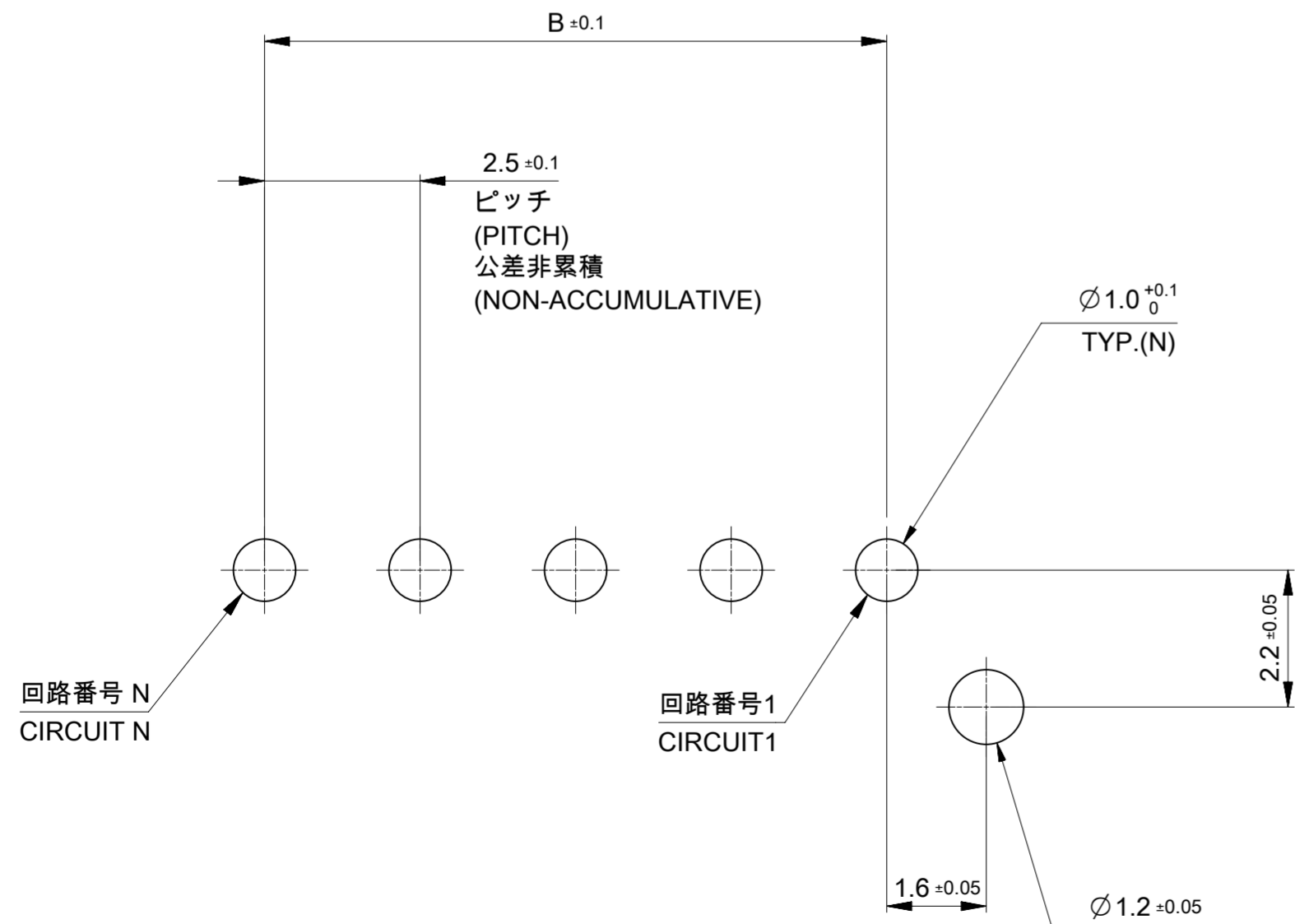
| | | | | | | | | | | | | | |
|---|--|--------|----------|--|--|------------|--|--------------|----------|-------------------|--|------------|--|
| THIS DRAWING CONTAINS INFORMATION THAT IS PROPRIETARY TO MOLEX ELECTRONIC TECHNOLOGIES, LLC AND SHOULD NOT BE USED WITHOUT WRITTEN PERMISSION | | | | | | | | | | | | | |
| DIMENSION UNITS | | SCALE | | CURRENT REV DESC: | | | | | | | | | |
| mm | | NTS | | | | | | | | | | | |
| GENERAL TOLERANCES (UNLESS SPECIFIED) | | | | molex MINI-LOCK 2.5 W/B SINGLE ROW VERTICAL PLUG ASSEMBLY PRODUCT CUSTOMER DRAWING | | | | | | | | | |
| ANGULAR TOL | | ± 3.0° | | | | | | | | EC NO: 659548 | | 2021/03/30 | |
| 4 PLACES | | ± 0.2 | | | | | | | | DRWN: RWATANABE01 | | 2021/04/06 | |
| 3 PLACES | | ± 0.2 | | | | | | | | CHK'D: AIDA | | 2021/04/06 | |
| 2 PLACES | | ± 0.2 | | | | | | | | APPR: SAKIYAMA | | 2021/04/06 | |
| 1 PLACE | | ± 0.2 | | INITIAL REVISION: | | | | | | | | | |
| 0 PLACES | | ± 0.2 | | DRWN: RWATANABE01 | | 2019/05/24 | | | | | | | |
| | | | | APPR: SAKIYAMA | | 2020/09/28 | | | | | | | |
| DRAFT WHERE APPLICABLE MUST REMAIN WITHIN DIMENSIONS | | | | THIRD ANGLE PROJECTION | | DRAWING | | SERIES | | | | | |
| | | | | A2-SIZE | | 53375 | | | | | | | |
| DOCUMENT NUMBER | | | DOC TYPE | | | DOC PART | | | REVISION | | | | |
| 533750000-SD | | | PSD | | | 000 | | | C | | | | |
| MATERIAL NUMBER | | | | CUSTOMER | | | | SHEET NUMBER | | | | | |
| | | | | GENERAL | | | | 1 OF 2 | | | | | |



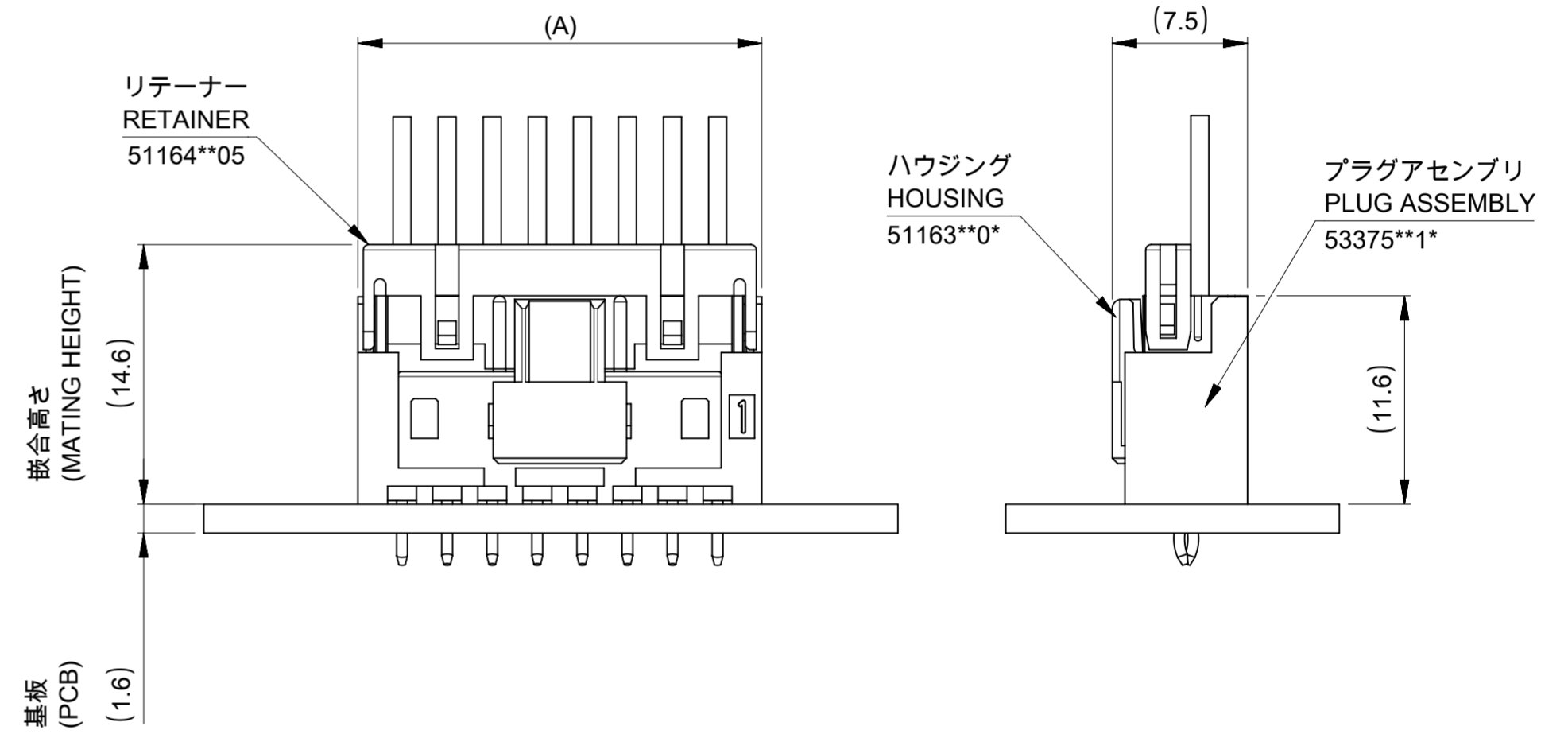
ロック形状図
LOCK CONFIGURATION



製品レイアウト
PRODUCT LAYOUT



基板取付穴推奨寸法(マウント面)
RECOMMENDED PCB HOLE DIMENSION
(MOUNTING SIDE), (t=1.6)



嵌合図
MATED CONNECTORS

| | | | | | | | | | | | |
|---|--|-------|--|---|--|-------------------|--|----------------|--|-----------------|--|
| THIS DRAWING CONTAINS INFORMATION THAT IS PROPRIETARY TO MOLEX ELECTRONIC TECHNOLOGIES, LLC AND SHOULD NOT BE USED WITHOUT WRITTEN PERMISSION | | | | | | | | | | | |
| DIMENSION UNITS | | SCALE | | CURRENT REV DESC: | | | | | | | |
| mm | | NTS | | <p>molex</p> <p>MINI-LOCK 2.5 W/B SINGLE ROW VERTICAL PLUG ASSEMBLY</p> <p>PRODUCT CUSTOMER DRAWING</p> <p>DOCUMENT NUMBER: 533750000-SD DOC TYPE: PSD DOC PART: 000 REVISION: C</p> | | | | | | | |
| GENERAL TOLERANCES (UNLESS SPECIFIED) | | | | | | | | | | | |
| ANGULAR TOL ± 3.0° | | | | | | | | | | | |
| 4 PLACES | | ± 0.2 | | | | | | | | | |
| 3 PLACES | | ± 0.2 | | | | | | | | | |
| 2 PLACES | | ± 0.2 | | | | | | | | | |
| 1 PLACE | | ± 0.2 | | EC NO: 659548 | | DRWN: RWATANABE01 | | 2021/03/30 | | | |
| 0 PLACES | | ± 0.2 | | CHK'D: AIDA | | 2021/04/06 | | APPR: SAKIYAMA | | 2021/04/06 | |
| DRAFT WHERE APPLICABLE MUST REMAIN WITHIN DIMENSIONS | | | | THIRD ANGLE PROJECTION | | DRAWING | | SERIES | | MATERIAL NUMBER | |
| | | | | A2-SIZE | | 53375 | | GENERAL | | 2 OF 2 | |