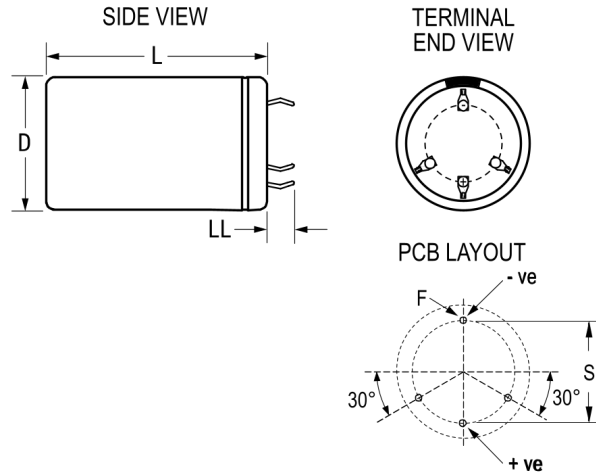


PEH506MDF4820M4

Aliases (A511EG822M063C)

PEH506, Aluminum Electrolytic, 8,200 uF, 20%, 63 VDC, -40/+85°C



Click [here](#) for the 3D model.

Dimensions

D	35mm +/-0.5mm
L	45mm +/-1mm
S	22.5mm NOM
LL	6.3mm +/-1mm
F	2mm +/-0.1mm

Packaging Specifications

Packaging	Bulk, Bag
-----------	-----------

General Information

Series	PEH506
Dielectric	Aluminum Electrolytic
Description	Snap-In, Aluminum Electrolytic
RoHS	Yes
Lead	4 Pin
AEC-Q200	No
Component Weight	64 g
Notes	Add 0.5mm To D And 1mm To L For Sleeving.
Shelf Life	208 Weeks

Specifications

Capacitance	8,200 uF
Capacitance Tolerance	20%
Voltage DC	63 VDC
Temperature Range	-40/+85°C
Rated Temperature	85°C
Life	3000 Hrs (Rated Voltage And Ripple Current At 85C), 6000 Hrs (Rated Voltage At 85C)
Resistance	41 mOhms (100Hz 20C), 35 mOhms (100kHz 20C)
Ripple Current	5.1 Amps (100Hz 85C), 10.3 Amps (20kHz 40C)
Leakage Current	1550 uA (5min 20°C)