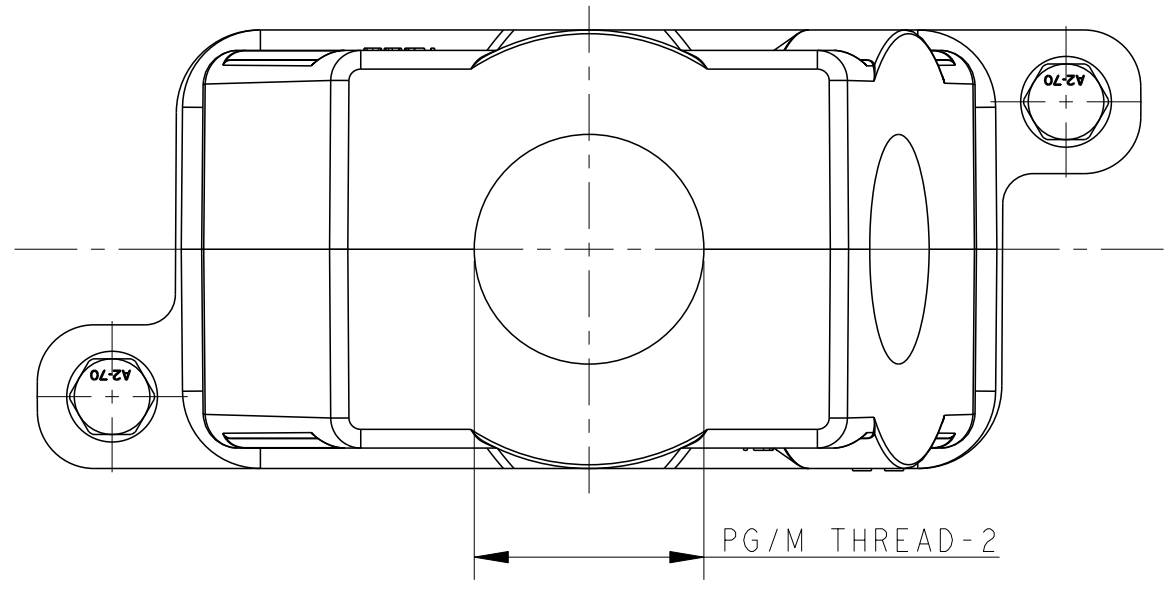


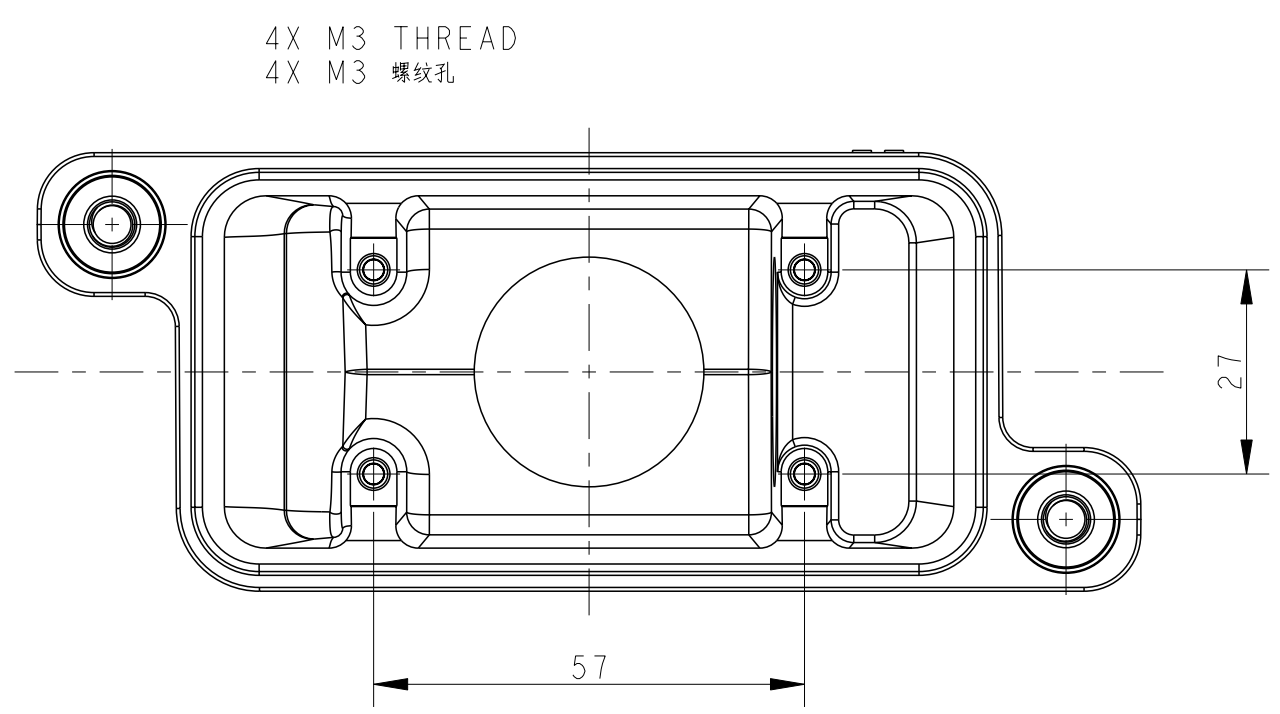
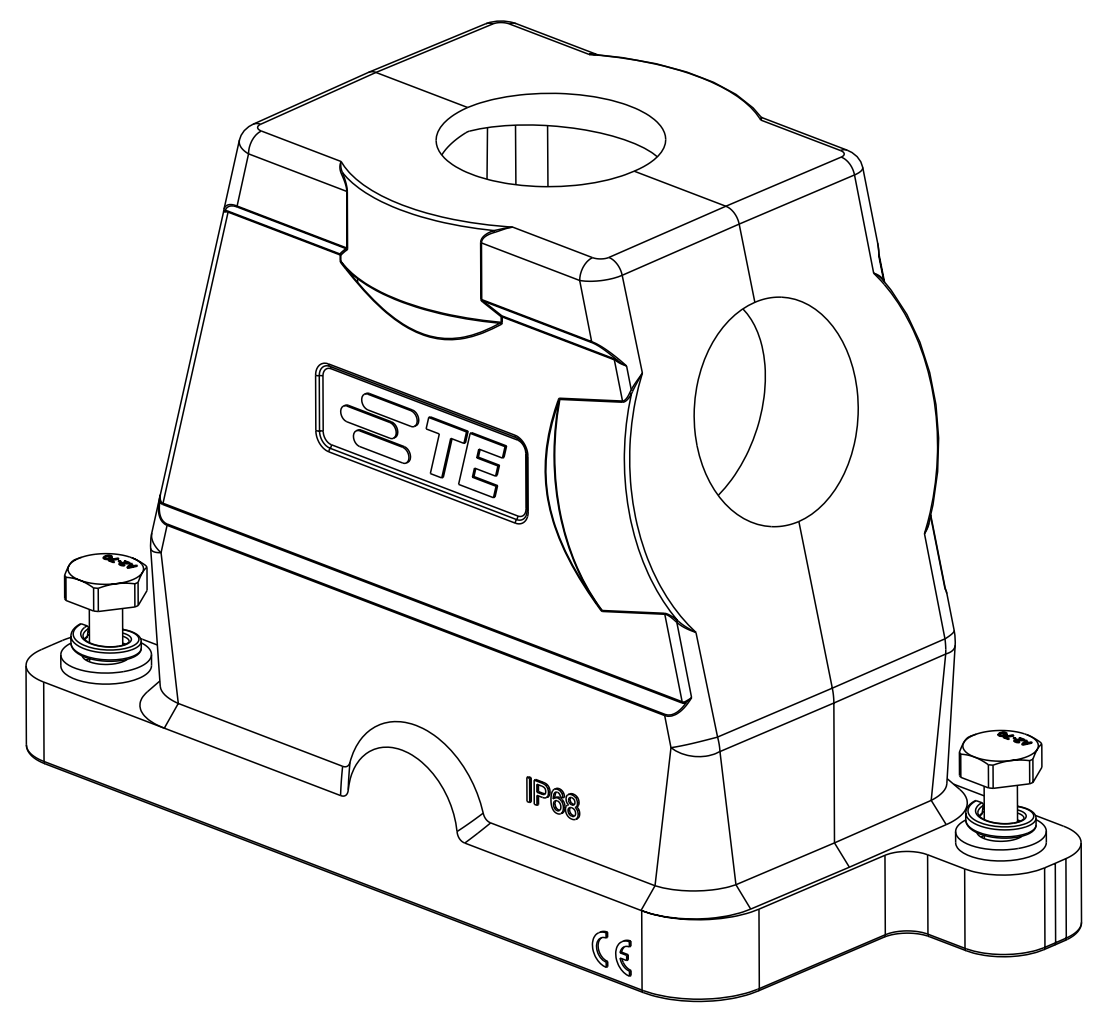
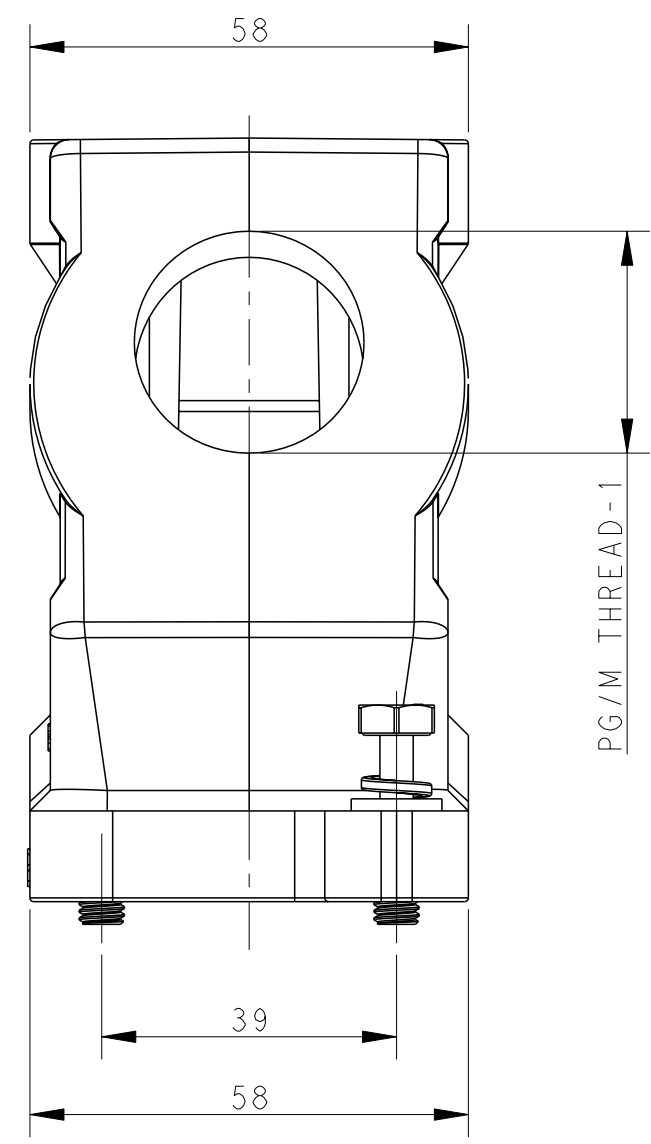
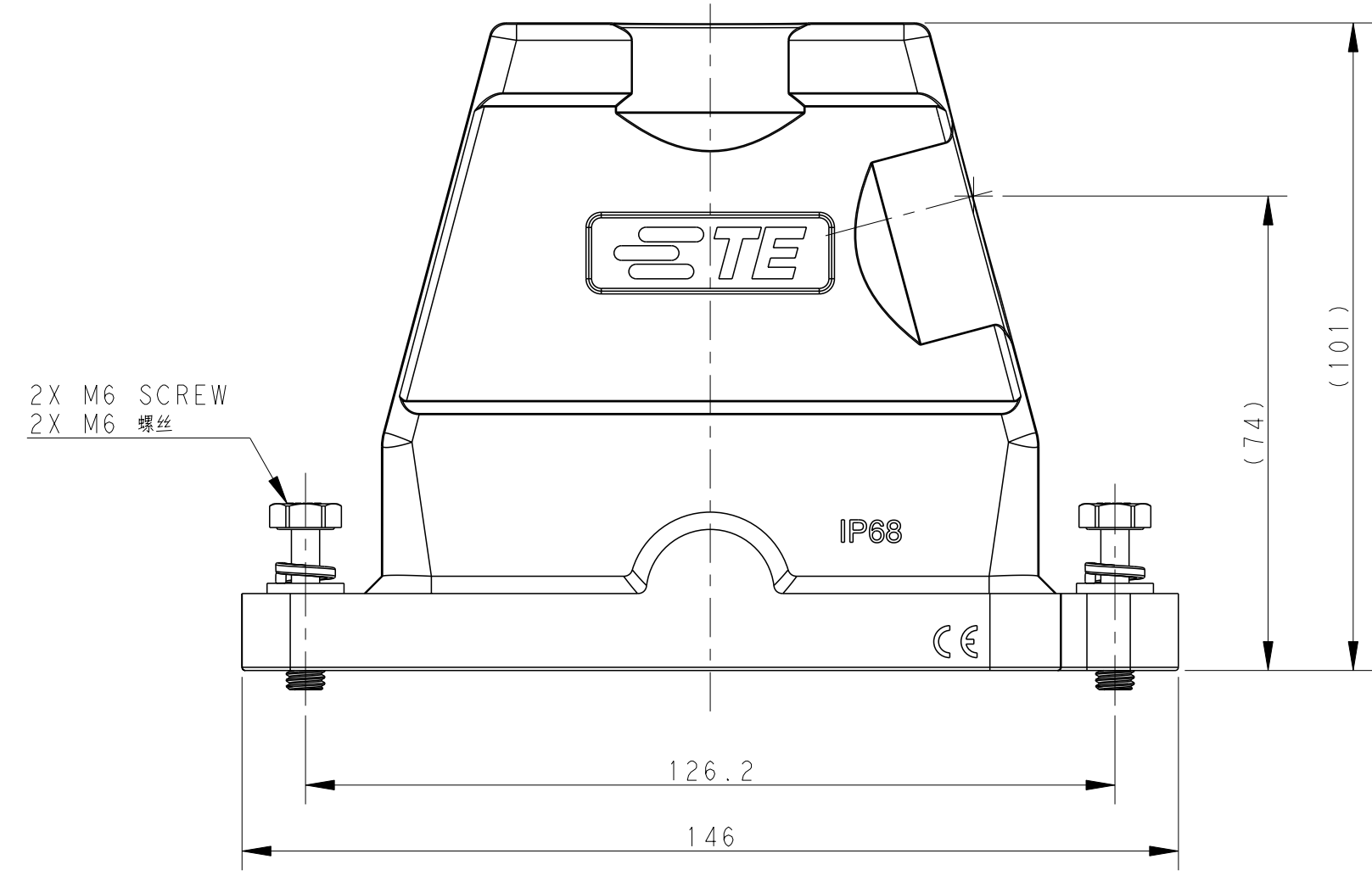
THIS DRAWING IS UNPUBLISHED. RELEASED FOR PUBLICATION 20  
 © COPYRIGHT 20 BY - ALL RIGHTS RESERVED.

REVISIONS				
P	LTR	DESCRIPTION	DATE	APVD
A		INITIAL RELEASE	20SEP2016	DW CW
B		ECR-20-016312	03JUN2021	BS CW



NOTES:  
 1. TECHNICAL CHARACTERISTICS:  
 HOOD MATERIAL: DIE CAST ALUMINIUM ALLOY  
 SURFACE: SEE TABLE  
 DEGREE OF PROTECTION: IP68 (MATED)

注释:  
 1. 技术参数:  
 壳体材料: 铝合金  
 表面处理: 见表格  
 防护等级: IP68 (配合)



T1900102232-009	H10BPR-TS/GH-2M32-EMC-C	H10BPR HOOD,DIAGONAL LOCKING LOCKING,SIDE/TOP ENTRY 2M32 POWDER COATED, GREY H10BPR对角锁定侧顶出上壳2M32 灰色	M32	M32
T1900100232-009	H10BPR-TS/GH-2M32-EMC-C	H10BPR HOOD,DIAGONAL LOCKING LOCKING,SIDE/TOP ENTRY 2M32 POWDER COATED, BLACK H10BPR对角锁定侧顶出上壳2M32 黑色	M32	M32
PART NUMBER 料号	PART DESCRIPTION 描述		PG/M THREAD-2 PG/M 螺纹-2	PG/M THREAD-1 PG/M 螺纹-1

THIS DRAWING IS A CONTROLLED DOCUMENT.		DWN 20SEP2016 DAVID WANG	<b>STE</b> TE Connectivity	
DIMENSIONS: mm		CHK 20SEP2016 CHRIS WANG		
TOLERANCES UNLESS OTHERWISE SPECIFIED:		APVD 20SEP2016 XIANG XU	NAME H10BPR-TS/GH-PG/M-EMC-C	
0 PLC ±-		PRODUCT SPEC 108-137191	SIZE CAGE CODE DRAWING NO RESTRICTED TO	
1 PLC ±-		APPLICATION SPEC 114-137191	A2 - G-T190010XXXXX09	
2 PLC ±-		WEIGHT	SCALE 1:1 SHEET 1 OF 1 REV B	
3 PLC ±-		Customer Drawing		
4 PLC ±-				
ANGLES ±-				
FINISH				

Printed on 7 Jun 2021 15:21 (China Standard Time) from TE236667