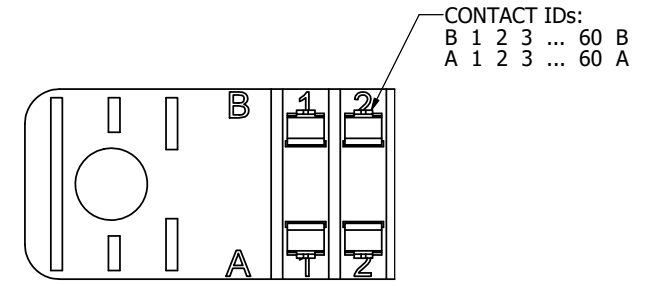
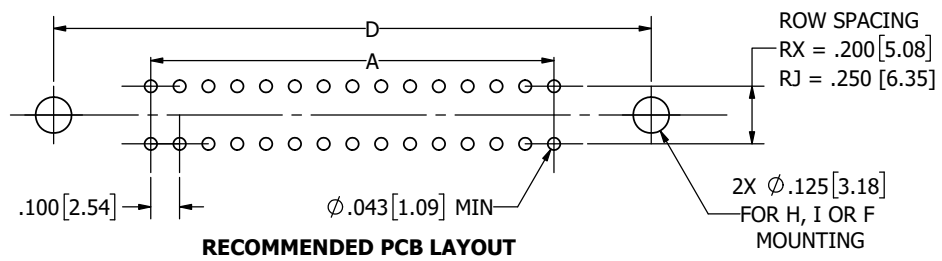
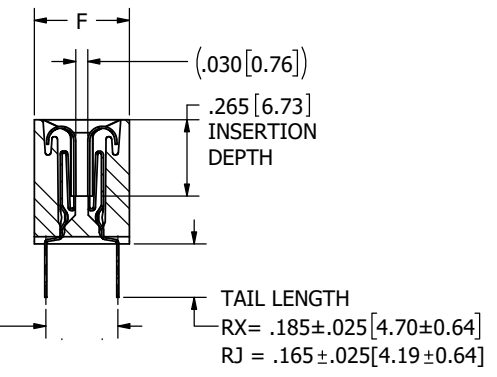
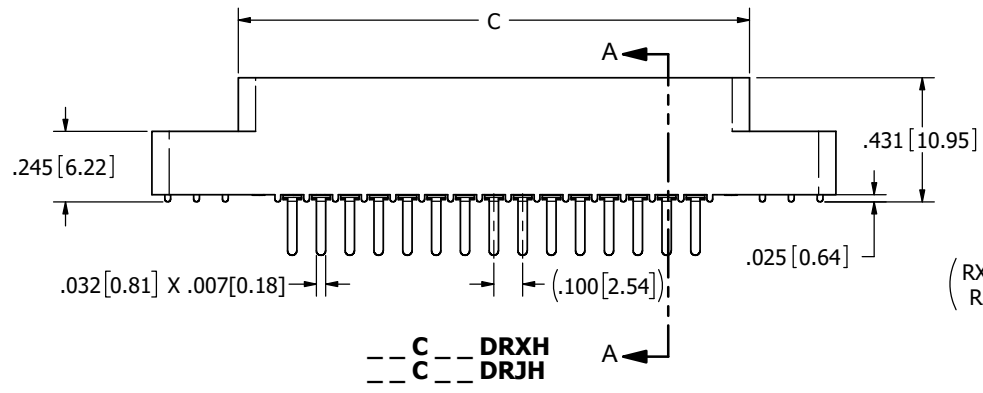
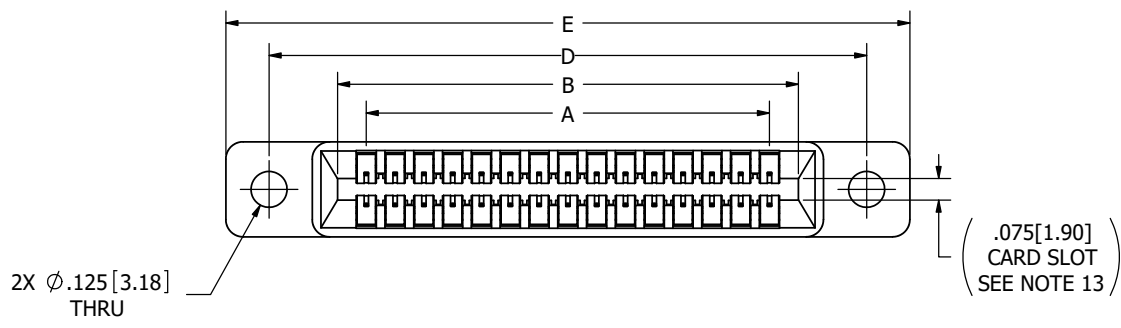


REVISIONS				
REV.	ECO NO.	DESCRIPTION	DATE	BY
L	4533	ADD POSITION 29	6/28/2022	MM
M	4551	ADD POSITION 24	8/24/2022	MM
N	4524	ADD POSITION 02, 09, 16, 59	2/23/2023	MM

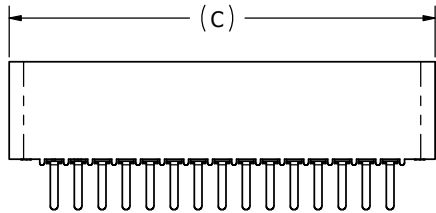
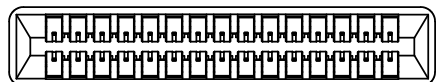


- NOTES:**
- INSULATOR MATERIAL: SEE PART NUMBER CODING
 - CONTACT MATERIAL: SEE PART NUMBER CODING
 - PLATING: SEE PART NUMBER CODING
 - OPERATING TEMPERATURE: SEE PART NUMBER CODING
 - PROCESSING TEMP: SEE PART NUMBER CODING
 - UL FLAMMABILITY RATING: 94V-0
 - OPERATING VOLTAGE: 700 VAC
 - CURRENT RATING: 3 AMP
 - CONTACT RESISTANCE: 30 MILLI OHMS MAX
 - INSULATION RESISTANCE: 5000 MEGA OHMS
 - DURABILITY: 500 CYCLES MINIMUM
 - CONNECTOR IDENTIFICATION: THE PART SHALL BE MARKED WITH A PART NUMBER AND LOT CODE
 - BOARD THICKNESS ACCOMMODATED: $.062 \pm .008 [1.57 \pm 0.20]$
 - INSERTION FORCE: 16 OZ MAX PER CONTACT PAIR WHEN USING A $.062 [1.57]$ TEST BLADE
INTERNAL INSPECTION TO BE PER SULLINS WORK INSTRUCTION WI-8.6-03
 - WITHDRAWAL FORCE: 1 OZ MIN PER CONTACT PAIR USING $.062 [1.57]$ TEST BLADE
 - MODIFICATION: SEE PART NUMBER CODING

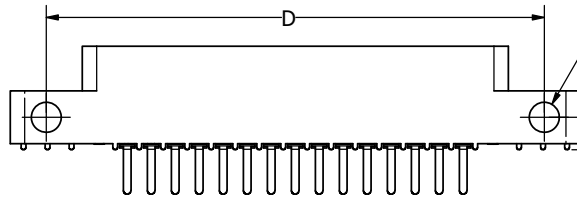


UNLESS OTHERWISE SPECIFIED: DIMENSIONS ARE IN INCHES (MM)	DRAWN	DATE	NAME	
		6/14/2012	JH	
TOLERANCES:	<small>THE INFORMATION HEREIN CONTAINS PROPRIETARY INFORMATION OF SULLINS ELECTRONICS AND IS NOT TO BE REPRODUCED, USED OR DISCLOSED TO OTHERS FOR ANY PURPOSE EXCEPT AS SPECIFICALLY AUTHORIZED IN WRITING BY AN OFFICER OF SULLINS ELECTRONICS.</small>			TITLE
ANGULAR: $\pm 1^\circ$				EDGECARD, .100 CC LP
DECIMALS .XX = $\pm .02 [5]$.XXX = $\pm .005 [13]$.XXXX = $\pm .0005 [13]$				PART NUMBER
				___ C ___ D (RX,RJ) _ (S38, S73, S81, S328, S1098, S1860)
	SIZE	CAGE CODE	DWG. NO.	REV
	C	54453	C10881	N
	SCALE: 2:1			SHEET 1 OF 4

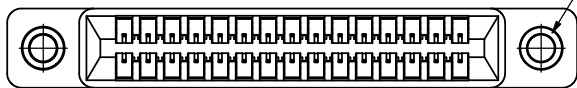
CUSTOMER COPY



--- C --- DRXN
--- C --- DRJN

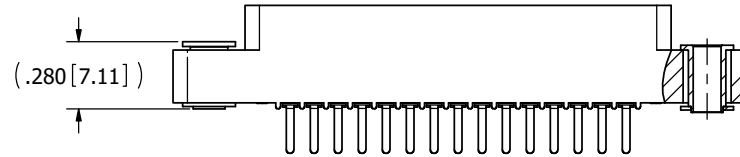
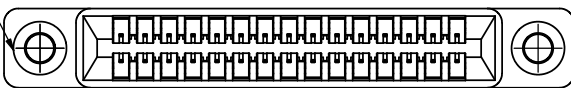


--- C --- DRXS
--- C --- DRJS



2X #4-40
THREADED INSERTS

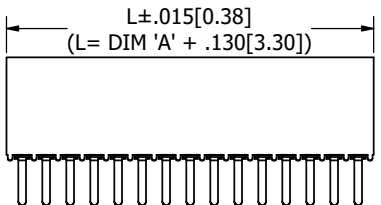
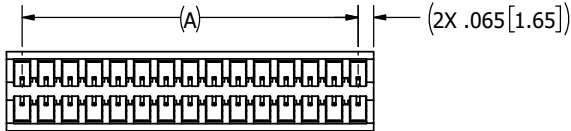
2X FLOATING BOBBIN
Ø .116 [2.95] CLEARANCE
FOR # 4 SCREW



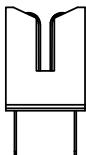
--- C --- DRXF
--- C --- DRJF



--- C --- DRXI
--- C --- DRJI



--- C --- DRXB
--- C --- DRJB



CUSTOMER COPY



UNLESS OTHERWISE SPECIFIED:
DIMENSIONS ARE IN INCHES (MM)

TOLERANCES:
ANGULAR: ± 1°

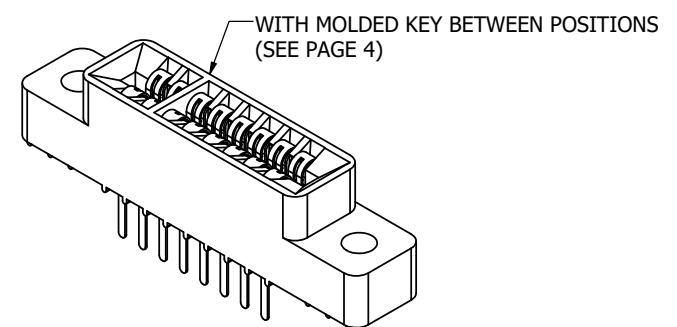
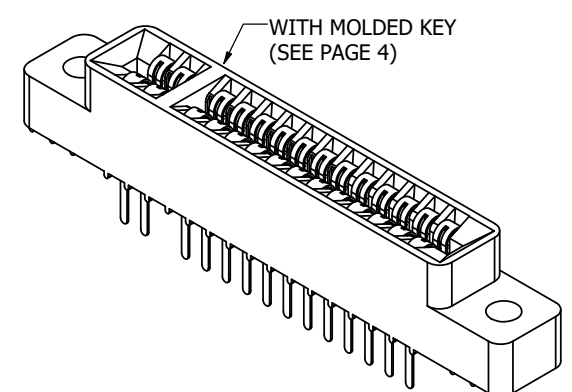
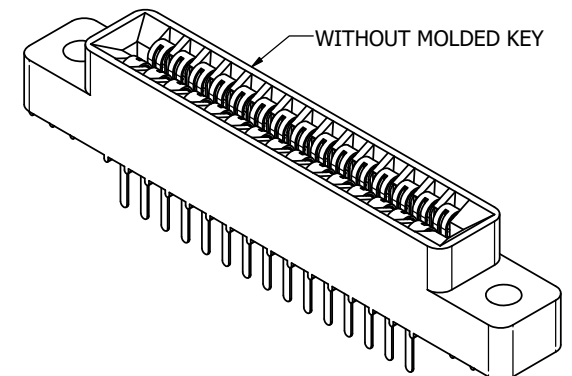
DECIMALS
.XX = ± .02 [5]
.XXX = ± .005 [13]
.XXXX = ± .0005 [13]

DRAWN	DATE	NAME
JH	6/14/2012	JH

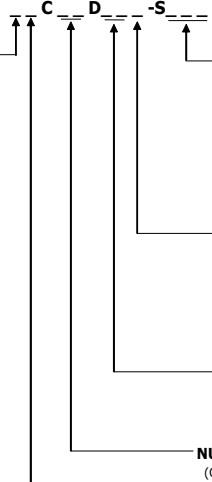
THE INFORMATION HEREIN CONTAINS PROPRIETARY INFORMATION OF SULLINS ELECTRONICS AND IS NOT TO BE REPRODUCED, USED OR DISCLOSED TO OTHERS FOR ANY PURPOSE EXCEPT AS SPECIFICALLY AUTHORIZED IN WRITING BY AN OFFICER OF SULLINS ELECTRONICS.

SULLINS CONNECTOR SOLUTIONS			
TITLE EDGECARD, .100 CC LP			
PART NUMBER --- C --- D(RX,RJ)_(S38, S73, S81, S328, S1098, S1860)			
SIZE C	CAGE CODE 54453	DWG. NO. C10881	REV N
SCALE: 2.5:1		SHEET 2 OF 4	

PART NUMBER	NO. OF POS.	A±.008[0.20]		B±.008[0.20]		C±.015[0.38]		D±.010[0.25]		E±.020[0.51]		F+.005/--.015(+0.13/-0.38)	
		IN	MM	IN	MM	IN	MM	IN	MM	IN	MM	IN	MM
C02D(RX,RJ)	2	0.100	2.54	0.300	7.62	0.475	12.07	0.775	19.69	1.075	27.31		
C03D(RX,RJ)	3	0.200	5.08	0.400	10.16	0.575	14.61	0.875	22.23	1.175	29.85		
C04D(RX,RJ)	4	0.300	7.62	0.500	12.70	0.675	17.15	0.975	24.77	1.275	32.39		
C05D(RX,RJ)	5	0.400	10.16	0.600	15.24	0.775	19.69	1.075	27.31	1.375	34.93		
C06D(RX,RJ)	6	0.500	12.70	0.700	17.78	0.875	22.23	1.175	29.85	1.475	37.47		
C07D(RX,RJ)	7	0.600	15.24	0.800	20.32	0.975	24.77	1.275	32.39	1.575	40.01		
C08D(RX,RJ)	8	0.700	17.78	0.900	22.86	1.075	27.31	1.375	34.93	1.675	42.55		
C09D(RX,RJ)	9	0.800	20.32	1.000	25.40	1.175	29.85	1.475	37.47	1.775	45.09		
C10D(RX,RJ)	10	0.900	22.86	1.100	27.94	1.275	32.39	1.575	40.01	1.875	47.63		
C12D(RX,RJ)	12	1.100	27.94	1.300	33.02	1.475	37.47	1.775	45.09	2.075	52.71		
C13D(RX,RJ)	13	1.200	30.48	1.400	35.56	1.575	40.01	1.875	47.63	2.175	55.25		
C14D(RX,RJ)	14	1.300	33.02	1.500	38.10	1.675	42.55	1.975	50.17	2.275	57.79		
C15D(RX,RJ)	15	1.400	35.56	1.600	40.64	1.775	45.09	2.075	52.71	2.375	60.33		
C16D(RX,RJ)	16	1.500	38.10	1.700	43.18	1.875	47.63	2.175	55.25	2.475	62.87		
C17D(RX,RJ)	17	1.600	40.64	1.800	45.72	1.975	50.17	2.275	57.79	2.575	65.41		
C18D(RX,RJ)	18	1.700	43.18	1.900	48.26	2.075	52.71	2.375	60.33	2.675	67.95		
C19D(RX,RJ)	19	1.800	45.72	2.000	50.80	2.175	55.25	2.475	62.87	2.775	70.49		
C20D(RX,RJ)	20	1.900	48.26	2.100	53.34	2.275	57.79	2.575	65.41	2.875	73.03		
C22D(RX,RJ)	22	2.100	53.34	2.300	58.42	2.475	62.87	2.775	70.49	3.075	78.11		
C23D(RX,RJ)	23	2.200	55.88	2.400	60.96	2.575	65.41	2.875	73.03	3.175	80.65		
C24D(RX,RJ)	24	2.300	58.42	2.500	63.50	2.675	67.95	2.975	75.57	3.275	83.19		
C25D(RX,RJ)	25	2.400	60.96	2.600	66.04	2.775	70.49	3.075	78.11	3.375	85.73		
C26D(RX,RJ)	26	2.500	63.50	2.700	68.58	2.875	73.03	3.175	80.65	3.475	88.27		
C28D(RX,RJ)	28	2.700	68.58	2.900	73.66	3.075	78.11	3.375	85.73	3.675	93.35		
C29D(RX,RJ)	29	2.800	71.12	3.000	76.20	3.175	80.65	3.475	88.27	3.775	95.89		
C30D(RX,RJ)	30	2.900	73.66	3.100	78.74	3.275	83.19	3.575	90.81	3.875	98.43		
C31D(RX,RJ)	31	3.000	76.20	3.200	81.28	3.375	85.73	3.675	93.35	3.975	100.97		
C32D(RX,RJ)	32	3.100	78.74	3.300	83.82	3.475	88.27	3.775	95.89	4.075	103.51		
C35D(RX,RJ)	35	3.400	86.36	3.600	91.44	3.775	95.89	4.075	103.51	4.375	111.13		
C36D(RX,RJ)	36	3.500	88.90	3.700	93.98	3.875	98.43	4.175	106.05	4.475	113.67		
C40D(RX,RJ)	40	3.900	99.06	4.100	104.14	4.275	108.59	4.575	116.21	4.875	123.83		
C41D(RX,RJ)	41	4.000	101.60	4.200	106.68	4.375	111.13	4.675	118.75	4.975	126.37		
C43D(RX,RJ)	43	4.200	106.68	4.400	111.76	4.575	116.21	4.875	123.83	5.175	131.45		
C44D(RX,RJ)	44	4.300	109.22	4.500	114.30	4.675	118.75	4.975	126.37	5.275	133.99		
C49D(RX,RJ)	49	4.800	121.92	5.000	127.00	5.175	131.45	5.475	139.07	5.775	146.69		
C50D(RX,RJ)	50	4.900	124.46	5.100	129.54	5.275	133.99	5.575	141.61	5.875	149.23		
C52D(RX,RJ)	52	5.100	129.54	5.300	134.62	5.475	139.07	5.775	146.69	6.075	154.31		
C59D(RX,RJ)	59	5.800	147.32	6.000	152.40	6.175	156.85	6.475	164.47	6.775	172.09		
C60D(RX,RJ)	60	5.900	149.86	6.100	154.94	6.275	159.39	6.575	167.01	6.875	174.63		
C65D(RX,RJ)	65	6.400	162.56	6.600	167.64	6.775	172.09	7.075	179.71	7.375	187.33		
C70D(RX,RJ)	70	6.900	175.26	7.100	180.34	7.275	184.79	7.575	192.41	7.875	200.03		



PART NUMBER CODING



MATERIAL (INSULATOR/CONTACT)

E = BLUE PBT/PHOSPHOR BRONZE
OPERATING TEMP: -65°C TO +125°C
PROCESSING TEMP: WAVE/ MANUAL SOLDERING ONLY

R = GREEN PPS/PHOSPHOR BRONZE
OPERATING TEMP: -65°C TO +125°C
PROCESSING TEMP: 260°C MAX FOR 20 SECONDS

G = BLACK PA9T/PHOSPHOR BRONZE
OPERATING TEMP: -65°C TO +125°C
PROCESSING TEMP: 260°C MAX FOR 20 SECONDS

H = BLUE PBT/BERYLLIUM COPPER
OPERATING TEMP: -65°C TO +125°C
PROCESSING TEMP: WAVE/ MANUAL SOLDERING ONLY

A = GREEN PPS/BERYLLIUM COPPER
OPERATING TEMP: -65°C TO +150°C
PROCESSING TEMP: 260°C MAX FOR 20 SECONDS

J = BLACK PA9T/BERYLLIUM COPPER
OPERATING TEMP: -65°C TO +150°C
PROCESSING TEMP: 260°C MAX FOR 20 SECONDS

F = GREEN PPS/SPINODAL (CONSULT FACTORY)
OPERATING TEMP: -65°C TO +200°C
(CONSULT FACTORY FOR SPECIAL SOLDERING GUIDELINES)
AVAILABLE IN OVERALL GOLD ONLY (S OR M PLATING CODE)

C = GREEN PPS/BERYLLIUM NICKEL (CONSULT FACTORY)
OPERATING TEMP: -65°C TO +200°C
PROCESSING TEMP: 260°C MAX FOR 20 SECONDS
AVAILABLE IN OVERALL GOLD ONLY (S OR M PLATING CODE)

X = TAN PEEK/SPINODAL (CONSULT FACTORY)
OPERATING TEMP: -65°C TO +200°C
(CONSULT FACTORY FOR SPECIAL SOLDERING GUIDELINES)
AVAILABLE IN OVERALL GOLD ONLY (S OR M PLATING CODE)

W = TAN PEEK/BERYLLIUM NICKEL (CONSULT FACTORY)
OPERATING TEMP: -65°C TO +250°C
PROCESSING TEMP: 260°C MAX FOR 20 SECONDS
AVAILABLE IN OVERALL M PLATING ONLY

MODIFICATION CODE
OMIT FOR STANDARD, EX: 'EBC22DRXH'
S38 = BLACK PBT (MATERIAL CODES 'E' OR 'H' ONLY)
S73 = INSERTION FORCE 8 OZ MAX
S81 = GREEN PBT (MATERIAL CODES 'E' OR 'H' ONLY)
S328 = BROWN PPS (MATERIAL CODES 'R', 'A', 'F', OR 'C' ONLY)
S1098 = BLACK PPS (MATERIAL CODES 'R', 'A', 'F', OR 'C' ONLY)
S1860 = GREEN PPS (MATERIAL CODES 'R', 'A', 'F', OR 'C' ONLY)
SEE PAGE 4 FOR MOLDED KEY OPTION

MOUNTING STYLE
H = .125" DIA. CLEARANCE HOLES
N = NO MOUNTING EARS
S = .125" DIA. SIDE MOUNTING
I = #4-40 THREADED INSERT
F = FLOATING BOBBIN
B = OPEN CARDSLOT

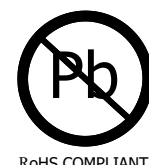
TERMINATION
RX = .200[5.08] ROW SPACING X .185[4.70] DIP SOLDER TAIL LENGTH
RJ = .250[6.35] ROW SPACING X .165[4.19] DIP SOLDER TAIL LENGTH
(SEE SECTION A-A ON PAGE 1)

NUMBER OF POSITIONS
(CONTACTS PER ROW)

PLATING
ALL PLATINGS HAVE .000050" NICKEL UNDERPLATE

CONTACT SURFACE	TERMINATION
B = .000010" GOLD	.000100" PURE TIN, MATTE
C = .000030" GOLD	.000100" PURE TIN, MATTE
G = .000010" GOLD	.000005" GOLD
Y = .000030" GOLD	.000005" GOLD
S = .000010" GOLD	.000010" GOLD OVERALL
M = .000030" GOLD	.000010" GOLD OVERALL
*E = .000100" PURE TIN, MATTE	.000100" PURE TIN, MATTE OVERALL

*OVERALL TIN ONLY AVAILABLE ON MATERIAL CODES E, R, & G

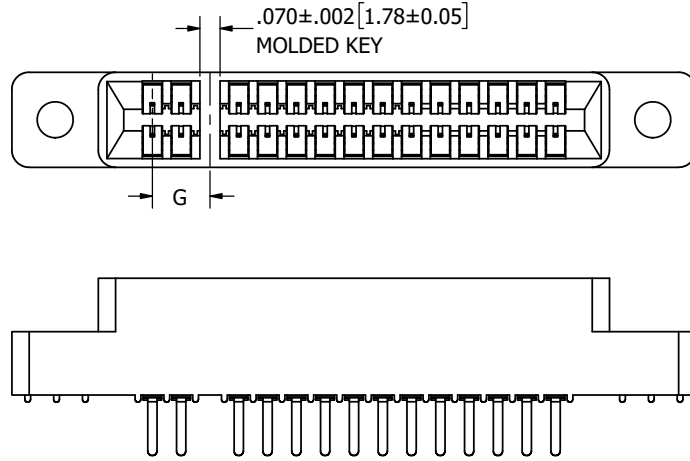


CUSTOMER COPY

UNLESS OTHERWISE SPECIFIED, DIMENSIONS ARE IN INCHES (MM)	DRAWN	DATE	NAME	
		6/14/2012	JH	
TOLERANCES: ANGULAR: ± 1°	THE INFORMATION HEREIN CONTAINS PROPRIETARY INFORMATION OF SULLINS ELECTRONICS AND IS NOT TO BE REPRODUCED, USED OR DISCLOSED TO OTHERS FOR ANY PURPOSE EXCEPT AS SPECIFICALLY AUTHORIZED IN WRITING BY AN OFFICER OF SULLINS ELECTRONICS.			
	DECIMALS .XX = ± .02 [5] .XXX = ± .005 [13] .XXXX = ± .0005 [013]			
TITLE		EDGECARD, .100 CC LP		
PART NUMBER		C _ _ _ D(RX,RJ)_(S38, S73, S81, S328, S1098, S1860)		
SIZE	CAGE CODE	DWG. NO.	REV	
C	54453	C10881	N	
SCALE: 3:1	SHEET 3 OF 4			

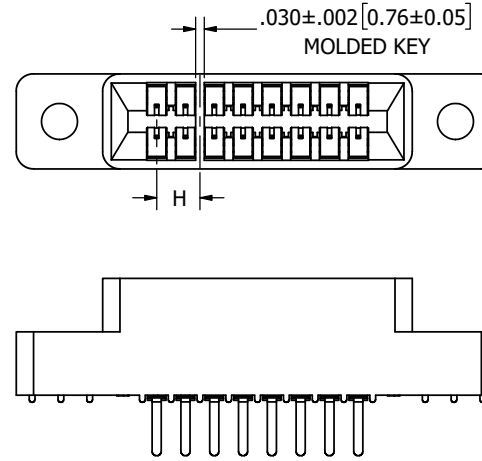
SEE DRAWING C13556 FOR MODIFICATION NUMBER (S#) 'G' AND 'H' DIMENSION

KEY IN POSITION



('H' MOUNTING AS SHOWN FOR EXAMPLE)

KEY BETWEEN POSITIONS



('H' MOUNTING AS SHOWN FOR EXAMPLE)

CUSTOMER COPY



RoHS COMPLIANT

UNLESS OTHERWISE SPECIFIED: DIMENSIONS ARE IN INCHES (MM)		DRAWN	DATE	NAME	
			6/14/2012	JH	
TOLERANCES: ANGULAR: ± 1° DECIMALS .XX = ± .02 [5] .XXX = ± .005 [13] .XXXX = ± .0005 [013]					THE INFORMATION HEREIN CONTAINS PROPRIETARY INFORMATION OF SULLINS ELECTRONICS AND IS NOT TO BE REPRODUCED, USED OR DISCLOSED TO OTHERS FOR ANY PURPOSE EXCEPT AS SPECIFICALLY AUTHORIZED IN WRITING BY AN OFFICER OF SULLINS ELECTRONICS.
TITLE					EDGECARD, .100 CC LP
PART NUMBER					___ C ___ D(RX,RJ)_(S38, S73, S81, S328, S1098, S1860)
SIZE	CAGE CODE	DWG. NO.	REV		
C	54453	C10881	N		
SCALE: 2:1			SHEET 4 OF 4		