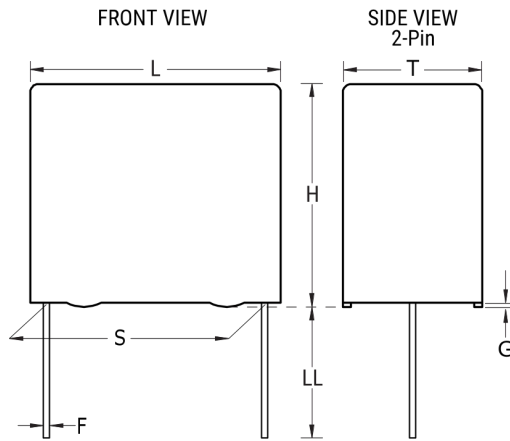


## F881AG252M300A

F881, Film, Metallized Polypropylene, Safety, 2500 pF, 20%, 300 VAC (Y2), 1000 VDC, 110°C, Lead Spacing = 10mm



Click [here](#) for the 3D model.

### Dimensions

|    |                 |
|----|-----------------|
| L  | 13mm -0.5mm     |
| H  | 9mm -0.5mm      |
| T  | 4mm -0.5mm      |
| S  | 10mm +/-0.4mm   |
| LL | 17mm -1mm       |
| F  | 0.6mm +/-0.05mm |
| G  | 0.5mm NOM       |

### Packaging Specifications

|                    |           |
|--------------------|-----------|
| Packaging          | Bulk, Bag |
| Packaging Quantity | 2200      |

### General Information

|                  |                          |
|------------------|--------------------------|
| Series           | F881                     |
| Dielectric       | Metallized Polypropylene |
| Style            | Radial                   |
| Features         | MKP, Pulse               |
| RoHS             | Yes                      |
| Lead             | Wire Leads               |
| Safety Class     | Y2                       |
| Qualifications   | ENEC, UL, cUL, CQC       |
| AEC-Q200         | No                       |
| THB Performance  | No                       |
| Component Weight | 0.796 g                  |
| Miscellaneous    | ClimCat: 40/110/56/C.    |
| Shelf Life       | 104 Weeks                |

### Specifications

|                       |              |
|-----------------------|--------------|
| Capacitance           | 2500 pF      |
| Capacitance Tolerance | 20%          |
| Voltage AC            | 300 VAC (Y2) |
| Voltage DC            | 1000 VDC     |
| Temperature Range     | -40/+110°C   |
| Rated Temperature     | 110°C        |
| Dissipation Factor    | 0.3% 1KHz    |
| Insulation Resistance | 30 GOhms     |
| Max dV/dt             | 800 V/us     |

Statements of suitability for certain applications are based on our knowledge of typical operating conditions for such applications, but are not intended to constitute - and we specifically disclaim - any warranty concerning suitability for a specific customer application or use. This information is intended for use only by customers who have the requisite experience and capability to determine the correct products for their application. Any technical advice inferred from this information or otherwise provided by us with reference to the use of our products is given gratis, and we assume no obligation or liability for the advice given or results obtained.