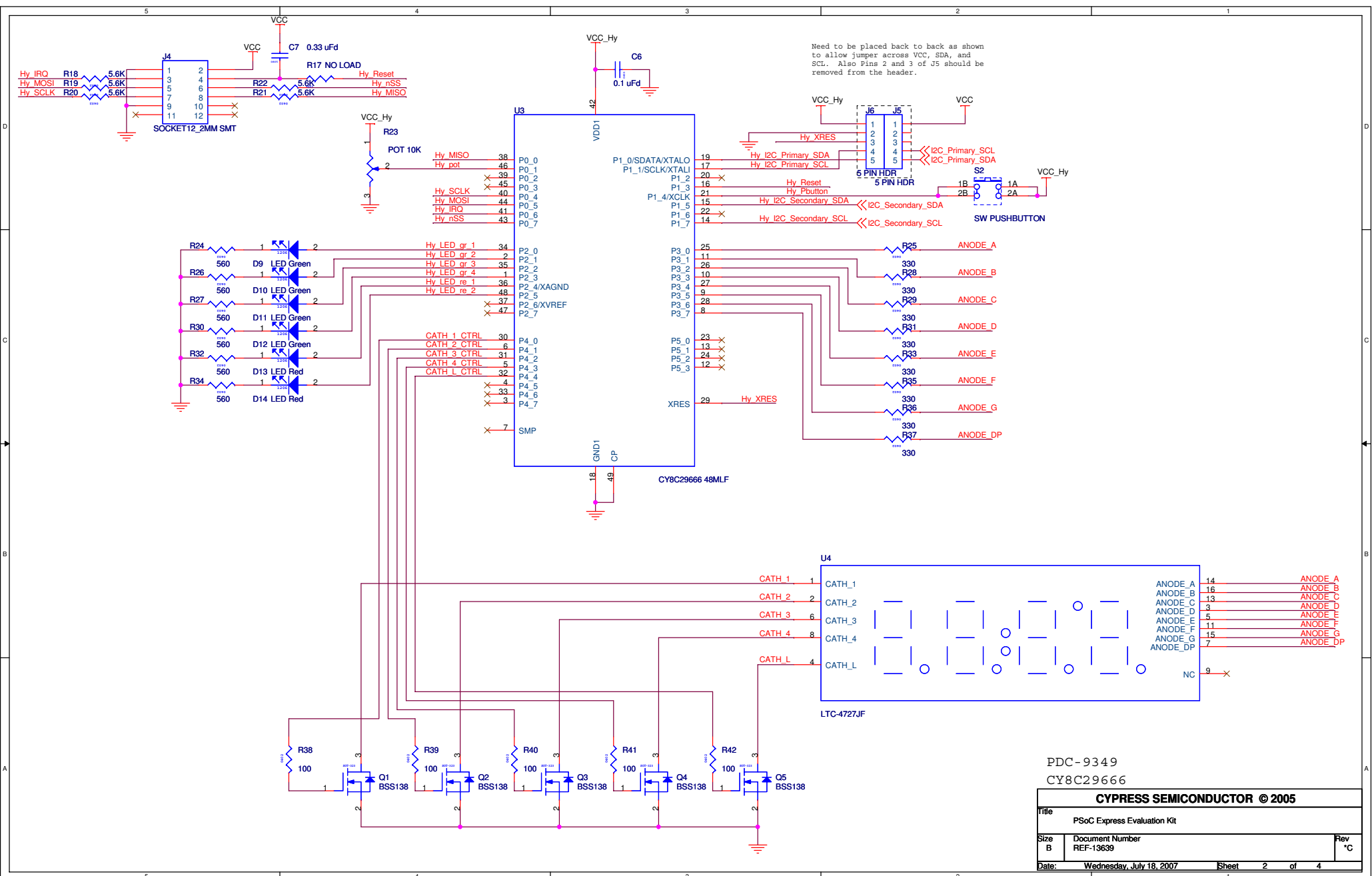


Need to be placed back to back as shown to allow jumper across VCC, SDA, and SCL. Also Pins 2 and 3 of J2 should be removed from the header.

PDC-9349
CY8C27643

CYPRESS SEMICONDUCTOR © 2005		
Title PSoC Express Evaluation Kit		
Size B	Document Number REF-13639	Rev °C
Date: Wednesday, July 18, 2007	Sheet 1	of 4



Need to be placed back to back as shown to allow jumper across VCC, SDA, and SCL. Also Pins 2 and 3 of J5 should be removed from the header.

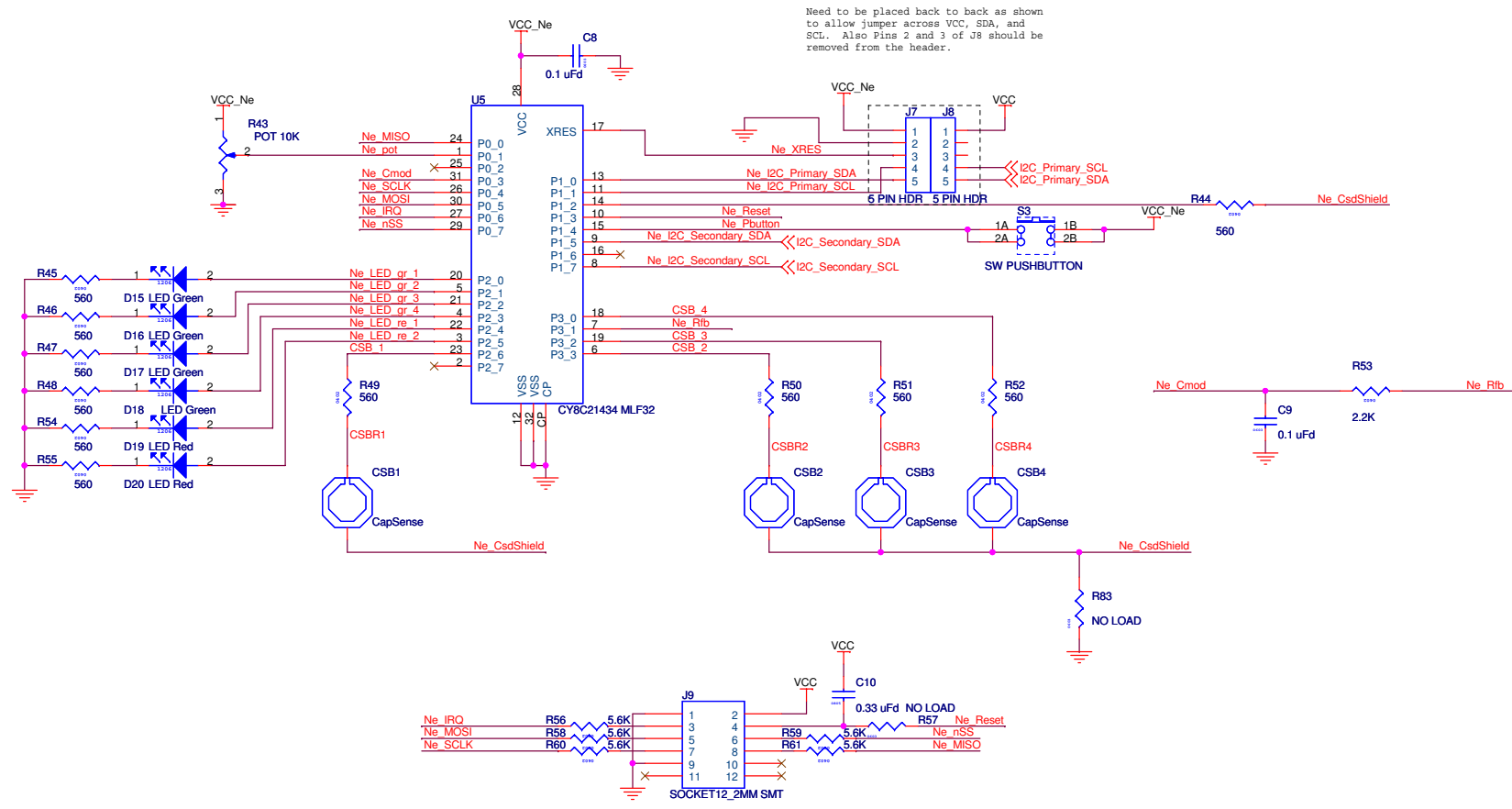
PDC-9349
CY8C29666

CYPRESS SEMICONDUCTOR © 2005

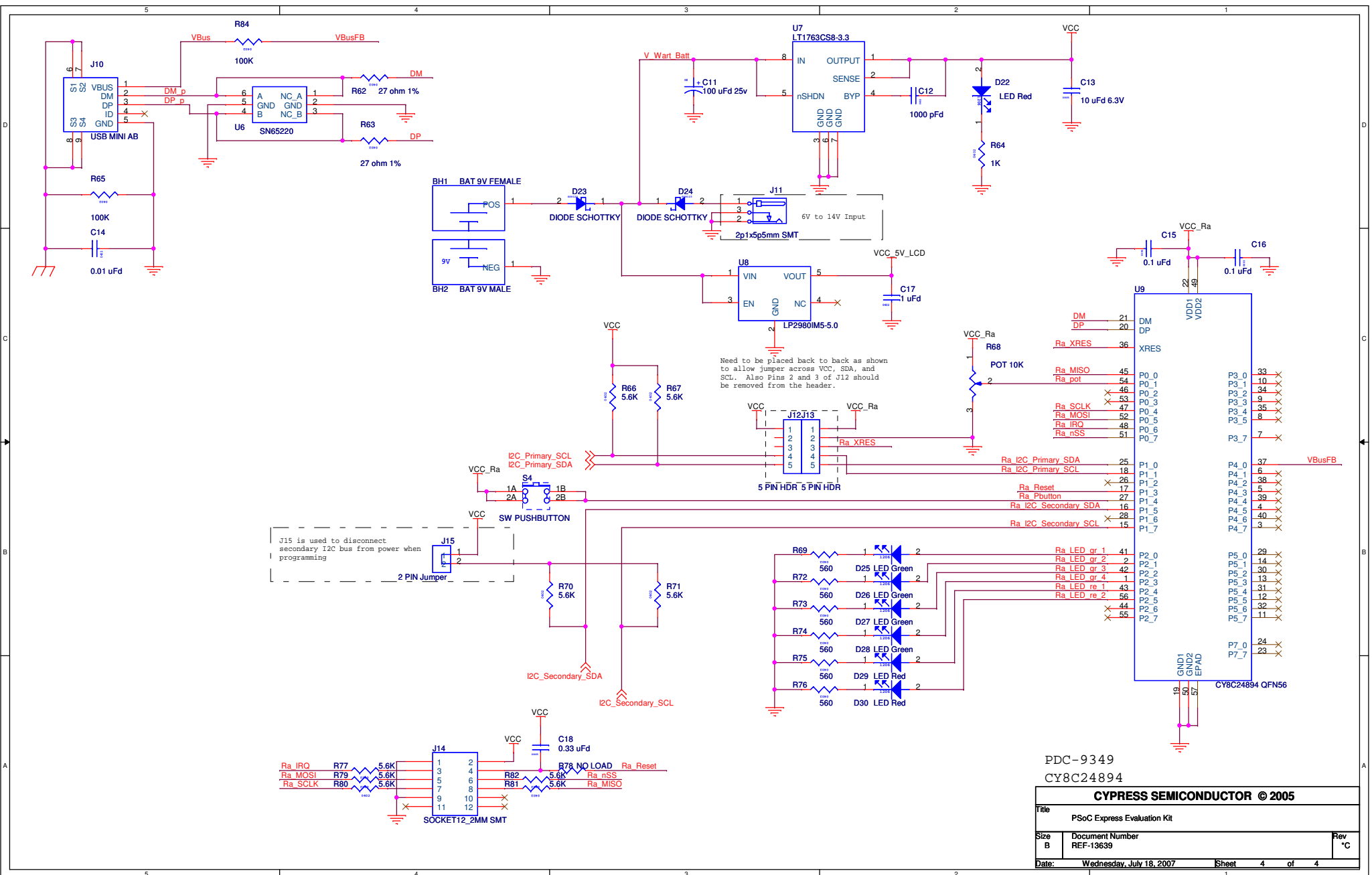
Title: PSoC Express Evaluation Kit

Size B	Document Number REF-13639	Rev °C
--------	---------------------------	--------

Date: Wednesday, July 16, 2007 Sheet 2 of 4



Need to be placed back to back as shown to allow jumper across VCC, SDA, and SCL. Also Pins 2 and 3 of J8 should be removed from the header.



Need to be placed back to back as shown to allow jumpers across VCC, SDA, and SCL. Also Pins 2 and 3 of J12 should be removed from the header.

J15 is used to disconnect secondary I2C bus from power when programming

PDC-9349
CY8C24894

CYPRESS SEMICONDUCTOR © 2005		
Title PSoC Express Evaluation Kit		
Size B	Document Number REF-13639	Rev °C
Date: Wednesday, July 18, 2007	Sheet 4	of 4