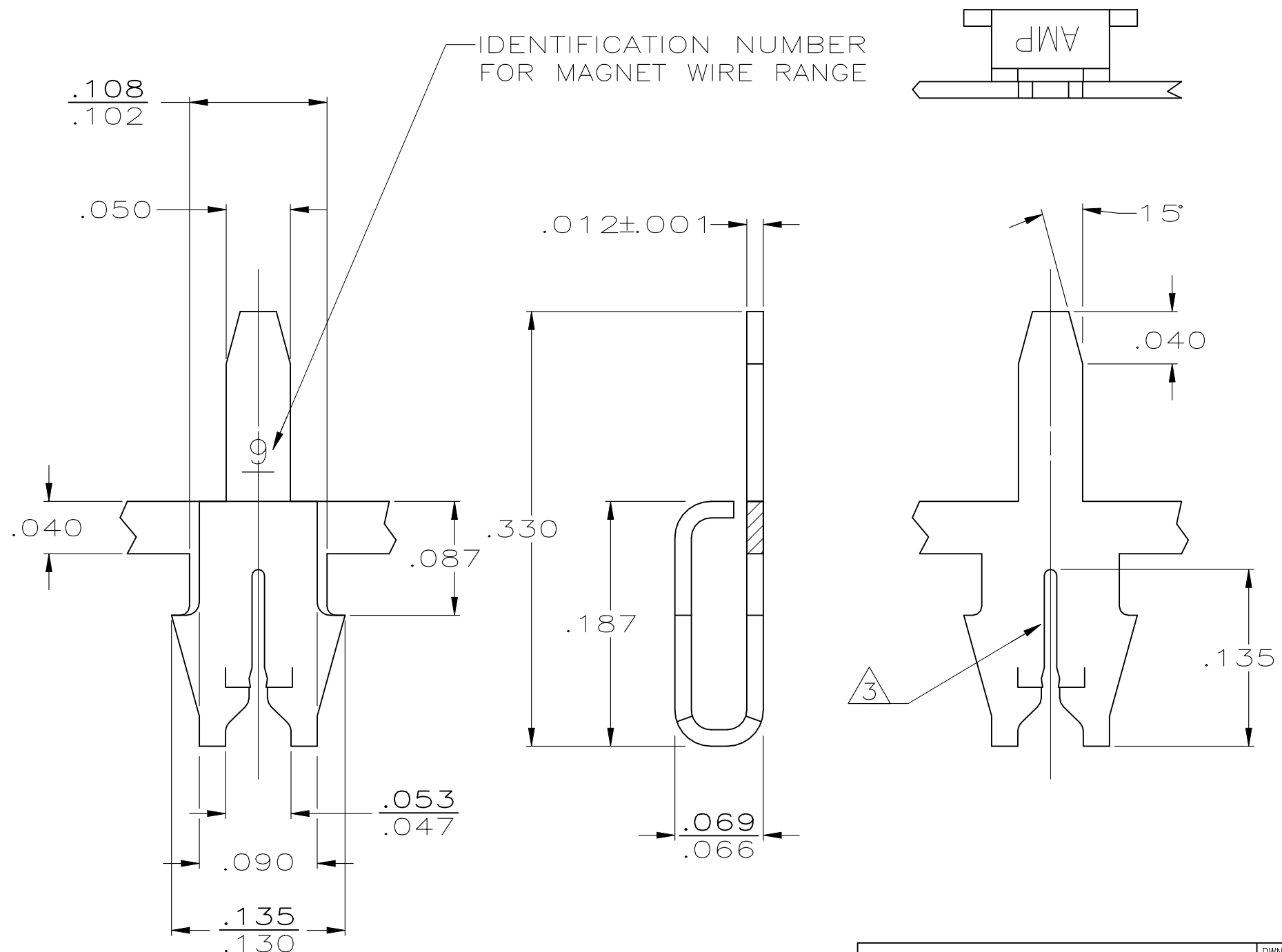


REVISIONS

P	LTR	DESCRIPTION	DATE	DWN	APVD
	H2	ADDED 0.35mm Cu SINGLE WIRE COMPATIBILITY	08JUL2021	MB	TD



- ① MAG-MATE CAVITY SPECIFICATION.
- ② CONTINUOUS STRIP ON REELS WITH TERMINALS LOCATED ON .200 CENTERS.
- ③ SLOT ACCEPTS #27-#25 AWG COPPER MAGNET WIRE AND 0.35mm SINGLE COPPER MAGNET WIRE
- ④ REELED FOR APPLICATION THROUGH MAG-MATE INSERTION MACHINE.
- ⑤ REELED FOR INSERTION INTO PRINTED CIRCUIT BOARD.
- ⑥ TIN PER MIL-T-10727 OVER NICKEL PER QQ-N-290

⑤	62438-2
④	62438-1
REMARKS	PART NO.

THIS DRAWING IS A CONTROLLED DOCUMENT.		DWN M.S. FEHER 11/21/88	TE TE Connectivity		
		CHK JR RUTH 11/27/88			
DIMENSIONS: INCHES		APVD -	NAME TERMINAL, POSTED, MAG-MATE™		
TOLERANCES UNLESS OTHERWISE SPECIFIED:		PRODUCT SPEC 108-2012	-		
0 PLC ± -		APPLICATION SPEC 114-2069 ①	SIZE A3	CAGE CODE 00779	DRAWING NO C=62438
1 PLC ± -		WEIGHT 0	RESTRICTED TO -		
2 PLC ± -		CUSTOMER DRAWING			
3 PLC ± .010		SCALE 10:1	SHEET 1 OF 1		REV H2
4 PLC ± -					
ANGLES ± -					
MATERIAL BRASS	FINISH ⑥				