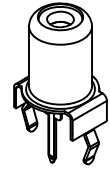
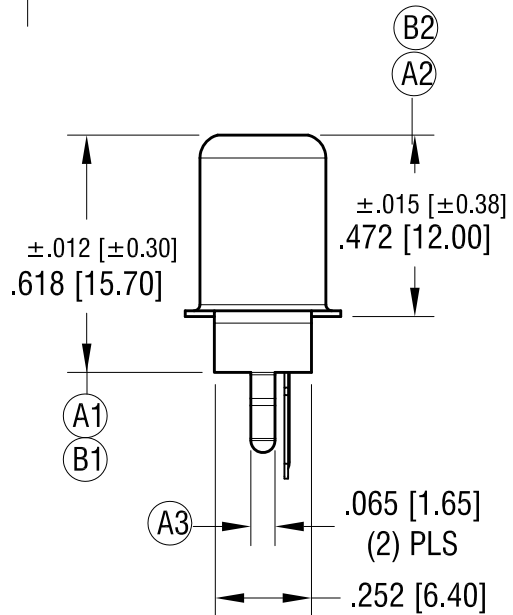
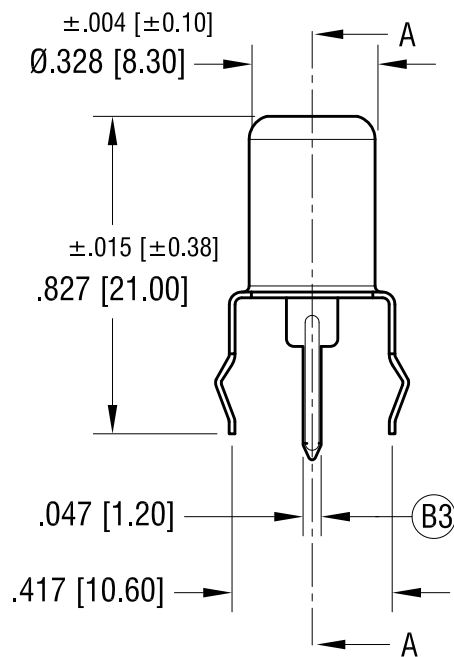
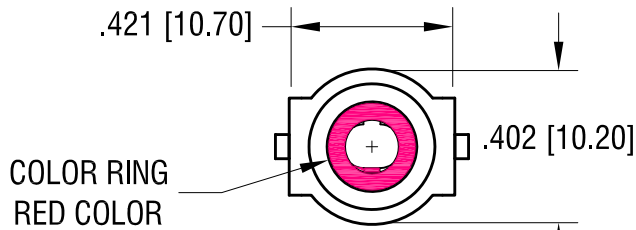
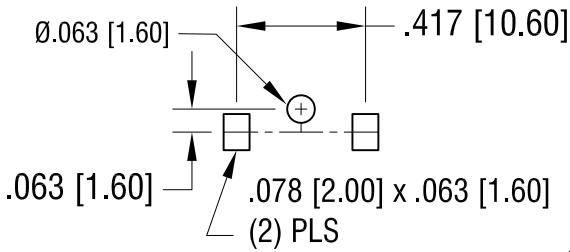


THIS DOCUMENT IS THE PROPERTY OF
KEYSTONE ELECTRONICS CORP. AND
SHALL NOT BE REPRODUCED, DISTRIBUTED
OR USED AS A BASIS FOR MANUFACTURE
WITHOUT PRIOR WRITTEN PERMISSION
FROM KEYSTONE ELECTRONICS CORP.

ACTUAL SIZE



MOUNTING DETAIL



NOTES:

1. SHELL: MAT'L - BRASS
FINISH: - TIN PLATE
2. CONTACT: MAT'L - BRASS
FINISH: - TIN PLATE

GEN. TOLERANCE WAS ±.005

ⓑ1 WAS .680, ⓑ2 WAS .540

ⓑ3 WAS .065, ⓑ4 WAS .050

SHELL MAT'L WAS STEEL, NICKEL PL.

CHANGE AS PER ECN 21-120

10.22.21

B

ADD ±.010 TO ⓐ4, ⓐ5

ⓐ3 WAS .070, REMOVE OVERALL H.

ADD ⓐ1, ⓐ2 WAS .519

CHANGE AS PER ECN 15-087

9.02.15

A

KEYSTONE ELECTRONICS CORP.

www.keyelco.com • NEW HYDE PARK NY 11040 • Tel (516)328-7500

PART NAME

SNAP-FIT VERTICAL PC PHONO JACK

MATERIAL

AS NOTED

FINISH

AS NOTED

DRN BY

BOONE

DATE

7.20.05

APP'D

LN

SCALE

2X

TOLERANCES

INCH

[MM]

DECIMAL

±.012 [±0.30]

ANGULAR

± 1°

UNLESS OTHERWISE SPECIFIED

CODE

C

DWG NO.

577

DATE

DESCRIPTION

REV.