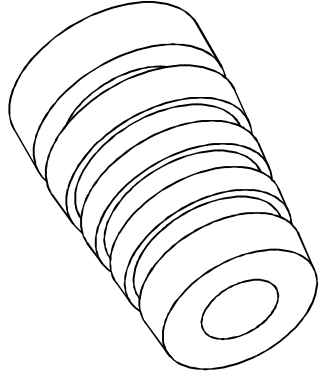
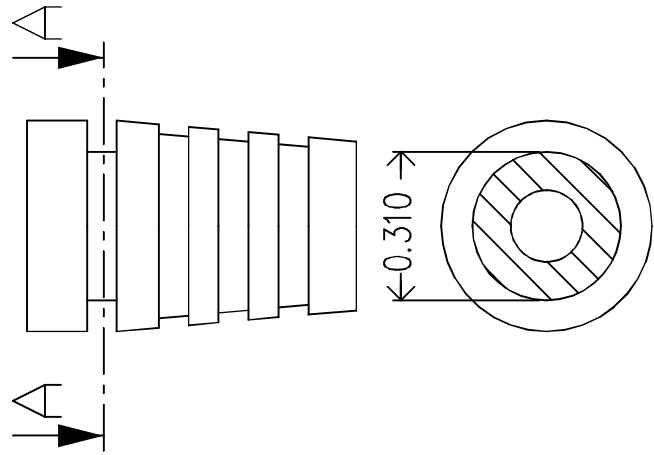
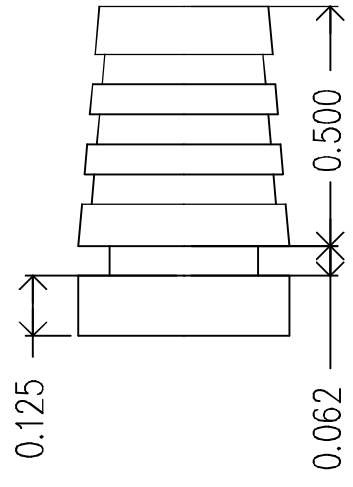
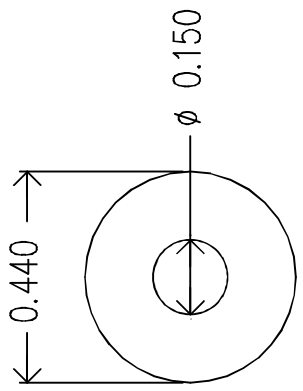


REVISIONS		DATE	APPROVED
ZONE	REV.		



MOLD MATERIAL: ISC P/N: 5000214, M1472, PVC, BLACK, RoHS

DRWN	NAME	DATE	ISC Engineering
R FIERRO	R FIERRO	05/17/05	4351 Schaefer Ave, Chino, CA 91710
CHECKED			Ph: 909-596-3315 Fax: 909-596-3335
ENG APPR.			www.iscengineering.com
MFG APPR.			www.overmoldtooling.com
D.A.			
COMMENTS:			
DO NOT SCALE	APPLICATION	USED ON	1461040-150-B-310-440-0
SCALE: 5:1	WEIGHT:	REV.	A
			1460050
			SHEET 1 OF 1

Dimensions are subject to change.
 PROPRIETARY AND CONFIDENTIAL
 THE INFORMATION CONTAINED IN THIS
 DRAWING IS THE SOLE PROPERTY OF
 ISC ENGINEERING. ANY REPRODUCTION IN
 PART OR AS A WHOLE WITHOUT THE WRITTEN
 PERMISSION OF ISC ENGINEERING IS
 PROHIBITED.

