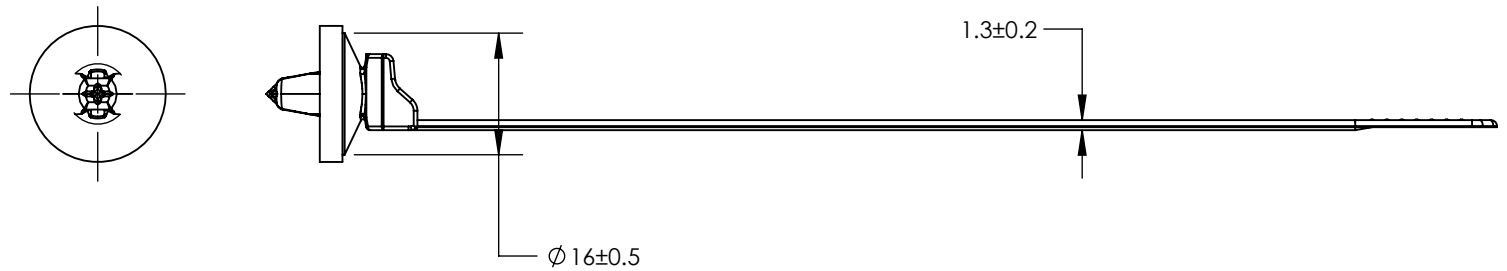
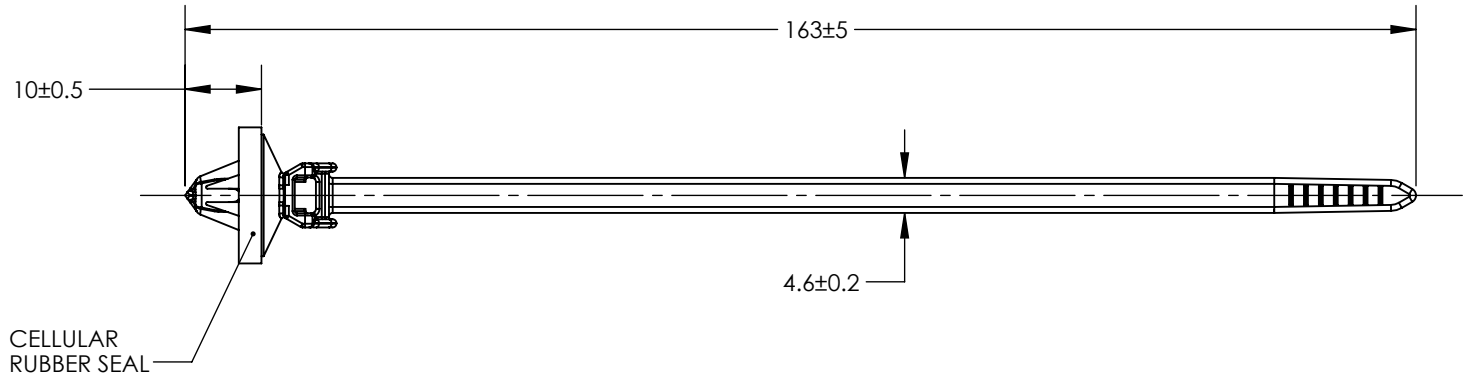


SW2011



Revision level			Revision Record	Changed	Date	Approved	Date
Drawing	State	Part					
02.1	Design Release	-	SEE ECN# 012783	AAC	08/15/14	KAC	08/15/14



Panel Thickness	0.7 to 1.6 mm
Hole Size ϕ	6.5 ±0.25mm HEX 6.35 ±0.25mm
Bundle Diameter	1.5 to 35 mm
Tensile Strength	min 180N

Material	PA66HS
-----------------	--------

Units: millimeters
Dimension without tolerances details to:
.xxx = ±.013
.xx = ±.13
.x = ±.3
None = ±.8
< = ±0.5°
Dimension Formatted mm/[in]

The copyright of this drawing is reserved by HellermannTyton. It is issued on condition that it is not reproduced, copied, or disclosed to a third party, either wholly or in part, without the consent of HellermannTyton.

Drawn	AAC	08/15/14
Approved	KAC	08/15/14
HellermannTyton		
North America Email: corp@htamericas.com Web: www.hellermann.tyton.com		

Article/Type-No	T50SOSSFT6.5E-MS-MD
Title	T50SOSSFT6.5E-MS-MD T50SOSSFT6.5E WITH FOAM DISC
Drawing-No	PRODUCTION : Phase 06-0227-002-CSU

Scale	1:2
Project Number	PRP 06-0227
Format	AH
Sheet	1/1