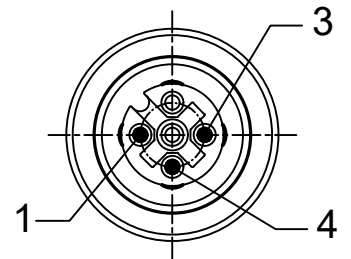
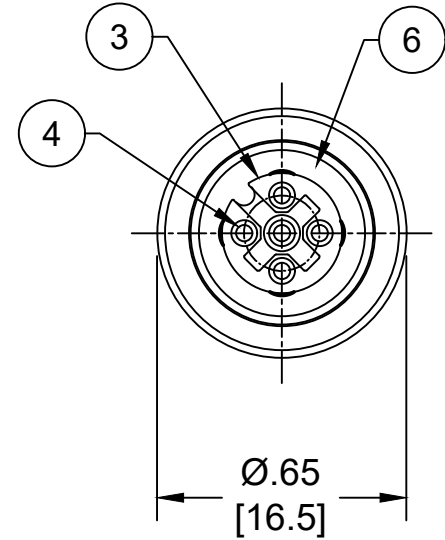


**FEMALE FACE VIEW  
3-POLE**



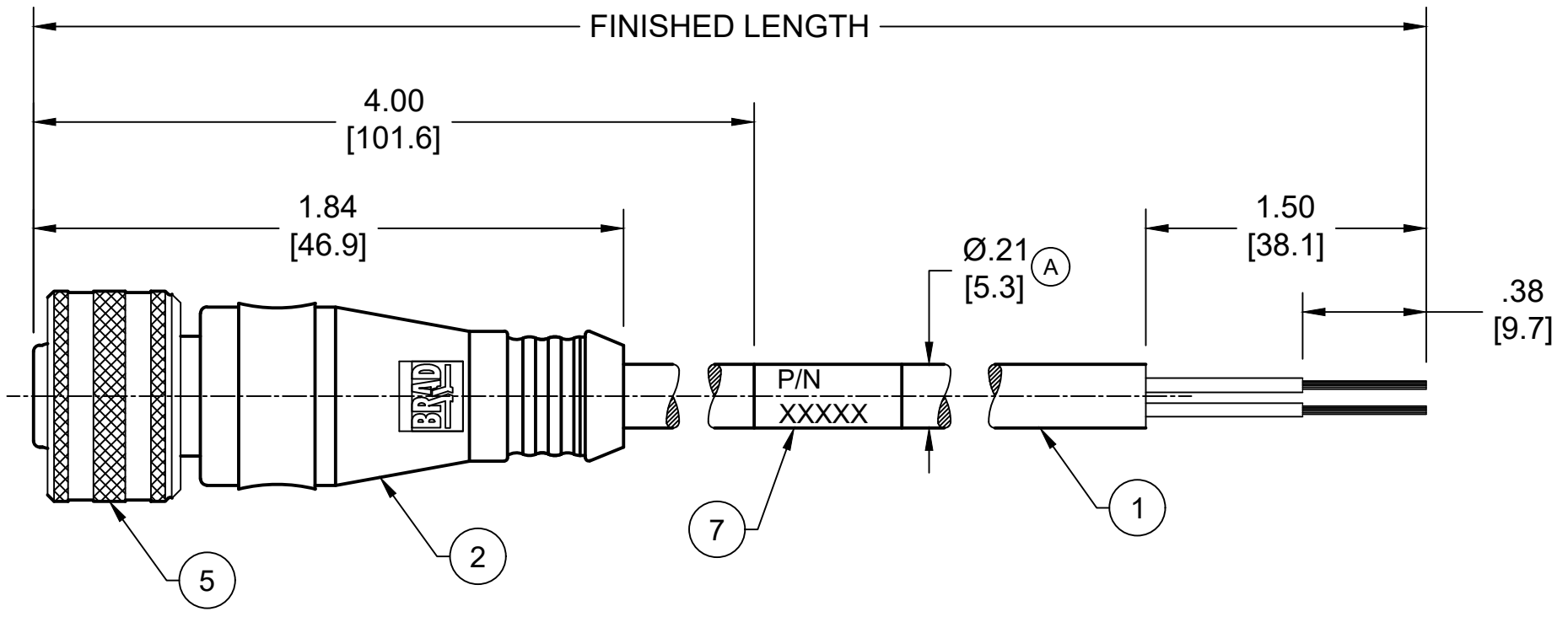
**WIRING DIAGRAM**

- 1 BROWN
- 3 BLUE
- 4 BLACK



- NOTES:**
1. MATERIAL: AS NOTED
  2. FINISH: AS NOTED
  3. ELECTRICAL:  
VOLTAGE: 250V  
CURRENT: 4A
  4. TEMP RATING: -20°TO +105°C
  5. PROTECTION: IP67/69K (WHEN MATED)
  6. CSA CERTIFIED FILE: LR6837 (A)
  7. ALL DIMENSIONS ARE FOR REFERENCE  
UNLESS TOLERANCED OR NOTED OTHERWISE

| (A) PART NO | ENGINEERING NO. | FINISHED LENGTH  |
|-------------|-----------------|------------------|
| 1200790139  | W03000A09M010   | 1M [3FT 3 IN]    |
| 1200790136  | W03000A09M050   | 5M [16FT 5 IN]   |
| 1200790167  | W03000A09M100   | 10M [32FT 10 IN] |



**(A) PART NUMBER LEGEND  
W03000A09M010**

FINISHED LENGTH  
M005 = 0.5 METER  
M010 = 1 METER  
M100 = 10 METER

**(A) CABLE LENGTH TOLERANCES**

|                          |                         |
|--------------------------|-------------------------|
| <.3M [1FT]:              | +19mm-0 [+ .75in-0]     |
| .3 - .9M [1 - 3FT]:      | +44.5mm-0 [+1.75in-0]   |
| .9 - 1.8M [3 - 6FT]:     | +55.6mm-0 [+2.19in-0]   |
| 1.8 - 3.7M [6 - 12FT]:   | +88.9mm-0 [+3.50in-0]   |
| 3.7 - 7.3M [12 - 24FT]:  | +165.1mm-0 [+6.50in-0]  |
| 7.3-14.6M [24 - 48FT]:   | +317.5mm-0 [+12.50in-0] |
| 14.6 - 30.5M [48-100FT]: | +622.3mm-0 [+24.50in-0] |
| OVER 30M [100FT]         | +2% OF FINISHED LENGTH  |

| ITEM | DESCRIPTION    | MATERIAL     | FINISH           |
|------|----------------|--------------|------------------|
| 7    | WRAP LABEL     | VINYL        | BLACK/YELLOW (A) |
| 6    | O-RING         | VITON        | GREEN (A)        |
| 5    | COUPLER        | BRASS        | NICKEL PLATED    |
| 4    | CONTACT SOCKET | COPPER ALLOY | GOLD OVER NICKEL |
| 3    | FEMALE INSERT  | PUR          | BLACK (A)        |
| 2    | OVERMOLD       | PUR          | YELLOW           |
| 1    | #22 AWG CABLE  | PVC JACKET   | YELLOW           |

|  |                                       |                        |   |                |           |
|--|---------------------------------------|------------------------|---|----------------|-----------|
| FUNCTIONAL SYMBOLS<br>$F_A=0$<br>$F_P=0$<br>$F_D=0$  | DIMENSION UNITS<br><b>INCH/MM</b>     | SCALE<br><b>NTS</b>    | THIS DRAWING CONTAINS INFORMATION THAT IS PROPRIETARY TO MOLEX ELECTRONIC TECHNOLOGIES, LLC AND SHOULD NOT BE USED WITHOUT WRITTEN PERMISSION |                |           |
|  | GENERAL TOLERANCES (UNLESS SPECIFIED) |                        | CURRENT REV DESC: ITEM #3 WAS NYLON & #7 WAS MYLAR. REMOVED UL. ADDED CSA, CABLE DIA, PN MATRIX & TOL CHART. MODIFIED PN TABLE.               |                |           |
| DIVISIONAL SYMBOLS                                   | 4 PLACES ±---- ±----                  | mm INCH                | EC NO: 702709<br>DRWN: ABENJAMINLW 2021/07/22<br>CHK'D: RSTONE 2022/04/11<br>APPR: BWOODMAN 2022/04/16  |                |           |
|  | 3 PLACES ±---- ±----                  |                        | INITIAL REVISION:<br>DRWN: LSTEMMLE 2010/02/10<br>APPR: FPACHER 2010/02/15  |                |           |
|  | 2 PLACES ±---- ±----                  |                        | DOCUMENT NUMBER: SD-120079-025<br>DOC TYPE: PSD<br>DOC PART: 001<br>REVISION: A   |                |           |
|  | 1 PLACE ±---- ±----                   |                        | PRODUCT CUSTOMER DRAWING  |                |           |
|  | 0 PLACES ±---- ±----                  |                        | MATERIAL NUMBER: SEE CHART<br>CUSTOMER: GENERAL MARKET<br>SHEET NUMBER: 1 OF 1  |                |           |
| DRAFT WHERE APPLICABLE MUST REMAIN WITHIN DIMENSIONS |                                       | THIRD ANGLE PROJECTION | DRAWING: A3-SIZE  | SERIES: 120079 | SEE CHART |