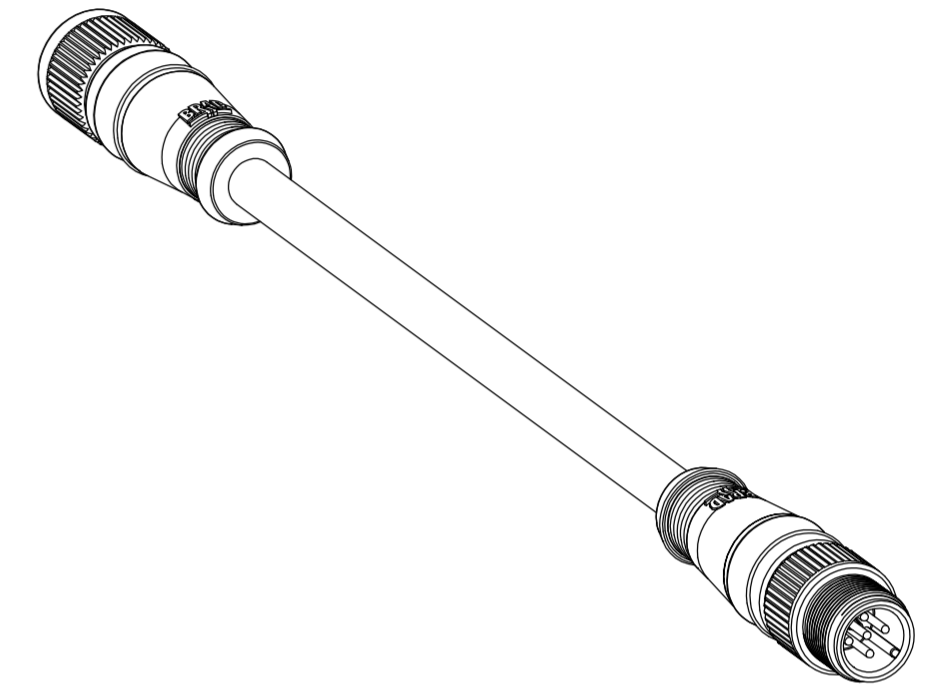
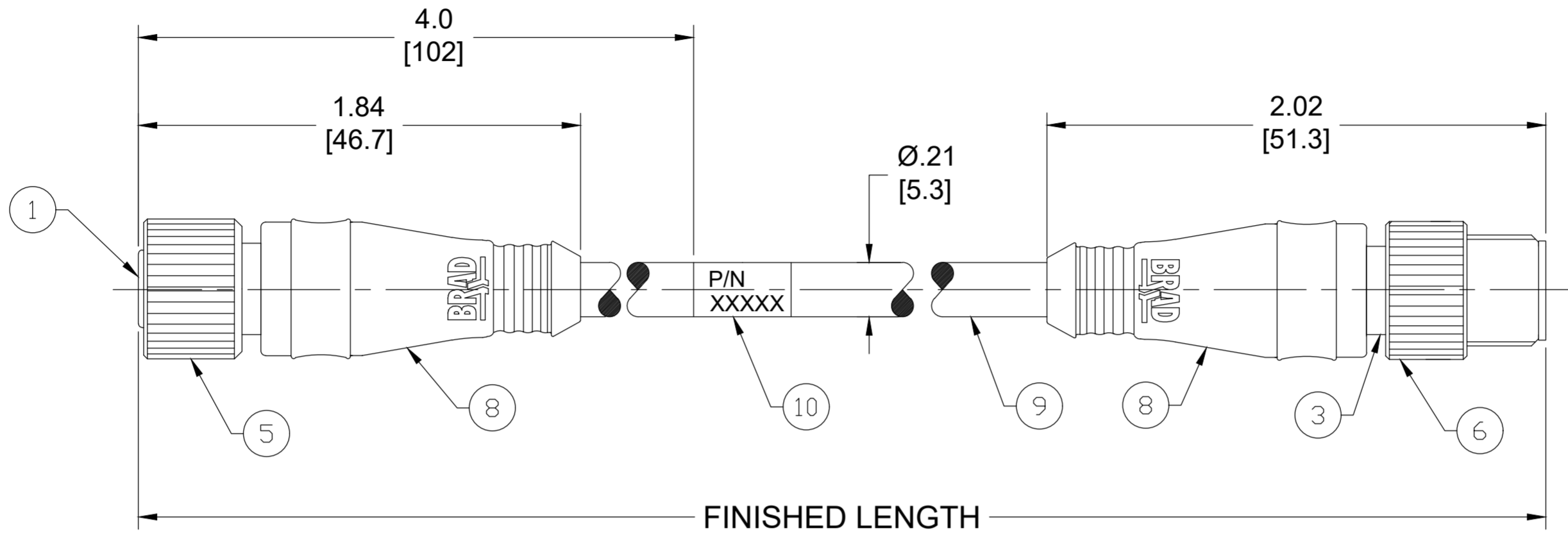
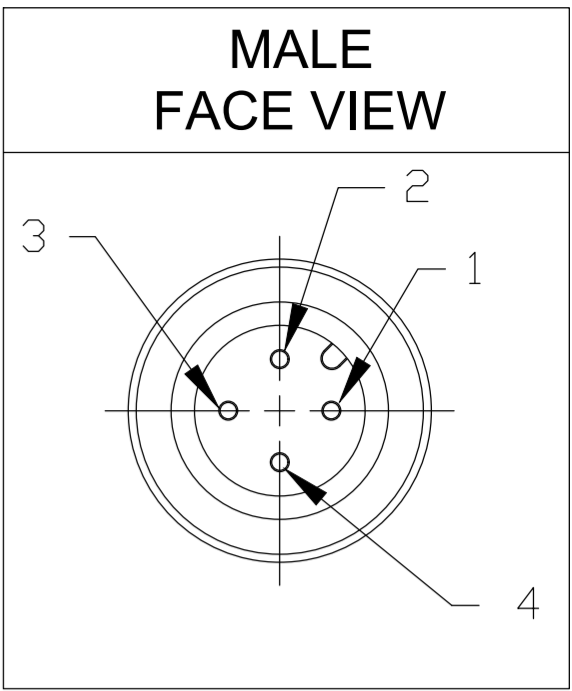
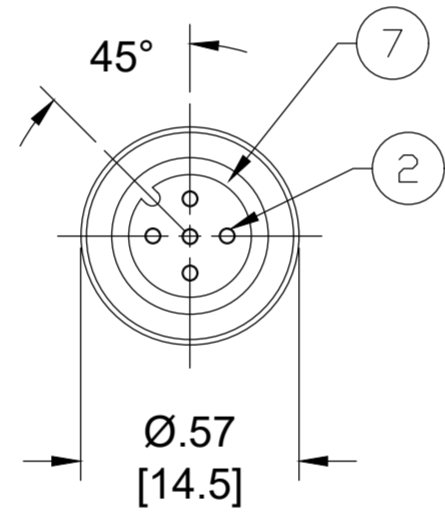


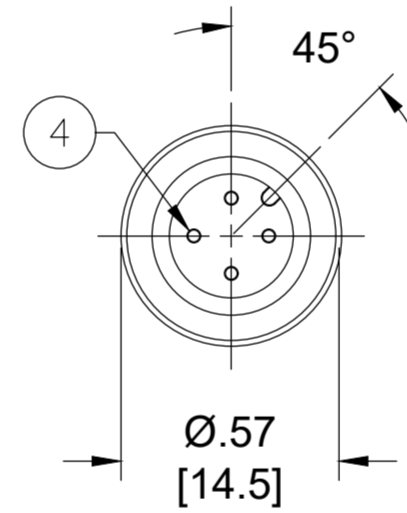
PART NO	ENGINEERING NO.	FINISHED LENGTH
1200660259	884030A09M003	0.3M [1FT]
1200660297	884030A09M100	10M [32FT 9 IN]
1200661907	884030A09M350	35M [114FT 10 IN]



- NOTES:**
- MATERIAL: AS NOTED
 - FINISH: AS NOTED
 - ELECTRICAL:
VOLTAGE: 250V
CURRENT: 4A
 - TEMP RATING: -20°TO +105°C
 - PROTECTION: IP67 (WHEN MATED)
 - COUPLING THREAD: M12X1
 - UL RECOGNIZED FILE: E152210
CSA CERTIFIED FILE: LR6837
 - ALL DIMENSIONS ARE FOR REFERENCE UNLESS TOLERANCED OR NOTED OTHERWISE



FEMALE FACE VIEW



MALE FACE VIEW

1	BROWN	1
2	WHITE	2
3	BLUE	3
4	BLACK	4

WIRING DIAGRAM

10	LABEL	VINYL	BLACK/YELLOW
9	CABLE #22 AWG,	PVC	YELLOW
8	OVERMOLD	TPU	YELLOW
7	O-RING	VITON	RED
6	MALE COUPLING NUT	BRASS	NICKEL PLATED
5	FEMALE COUPLING NUT	BRASS	NICKEL PLATED
4	CONTACT PIN	COPPER ALLOY	GOLD OVER NICKEL
3	MALE INSERT	PUR	BLACK
2	CONTACT SOCKET	COPPER ALLOY	GOLD OVER NICKEL
1	FEMALE INSERT	PUR	BLACK
ITEM	COMPONENT	MATERIAL	FINISH

PART NO. MATRIX
884030A09M003
 FINISHED LENGTH
 M005 = 0.5 METER
 M010 = 1 METER
 M100 = 10 METER

CABLE LENGTH TOLERANCES

<.3M [1FT]:	+19mm-0 [+.75in-0]
.3 - .9M [1 - 3FT]:	+44.5mm-0 [+1.75in-0]
.9 - 1.8M [3 - 6FT]:	+55.6mm-0 [+2.19in-0]
1.8 - 3.7M [6 - 12FT]:	+88.9mm-0 [+3.50in-0]
3.7 - 7.3M [12 - 24FT]:	+165.1mm-0 [+6.50in-0]
7.3-14.6M [24 - 48FT]:	+317.5mm-0 [+12.50in-0]
14.6 - 30.5M [48-100FT]:	+622.3mm-0 [+24.50in-0]
OVER 30M [100FT]	+2% OF FINISHED LENGTH

FUNCTIONAL SYMBOLS FA=0 FC=0 FP=0	DIMENSION UNITS INCH/MM	SCALE NTS	CURRENT REV DESC: ITEM #8 WAS PUR ITEM #10 WAS MYLAR. ADDED TOL CHART & PN MATRIX. MODIFIED PN CHART		
	GENERAL TOLERANCES (UNLESS SPECIFIED)		EC NO: 671333	DRWN: ABENJAMINLW	2021/05/03
DIVISIONAL SYMBOLS	4 PLACES ±----	±----	CHK'D: RSTONE	2021/07/23	
	3 PLACES ±----	±----	APPR: BWOODMAN	2021/07/28	
1 PLACE ±----			INITIAL REVISION:		MICRO-CHANGE CORDSET, M12, 4 POLE, FEMALE-MALE, STRAIGHT, SINGLE KEY, #22 AWG
0 PLACES ±----			DRWN: BWOODMAN		
ANGULAR TOL ± --- °			APPR: JFMURPHY	2009/03/27	PRODUCT CUSTOMER DRAWING
DRAFT WHERE APPLICABLE MUST REMAIN WITHIN DIMENSIONS			THIRD ANGLE PROJECTION	DRAWING	DOCUMENT NUMBER
				SERIES	DOC TYPE/DOC PART/REVISION
				120066	SD-120066-005
				C-SIZE	MATERIAL NUMBER
				SEE CHART	CUSTOMER
				GENERAL MARKET	SHEET NUMBER
					1 OF 1