

MATERIAL NUMBER	#OF COLUMNS	# OF DIFF PAIR	DIM "A" MAX	DIM "B"	PTH ϕ
170468-*8**	8	24	22.80	13.30	0.46 \pm 0.05
170468-*1**	10	30	26.60	17.10	0.46 \pm 0.05
170468-*6**	16	48	38.00	28.50	0.46 \pm 0.05
170468-*8**	8	24	22.80	13.30	0.39 \pm 0.05
170468-*1**	10	30	26.60	17.10	0.39 \pm 0.05
170468-*6**	16	48	38.00	28.50	0.39 \pm 0.05

MODULE & TAIL PLATING TYPE
 5 = RIGHT GUIDED LEAD-FREE
 9 = RIGHT GUIDED LEAD-FREE W/ ENDWALL

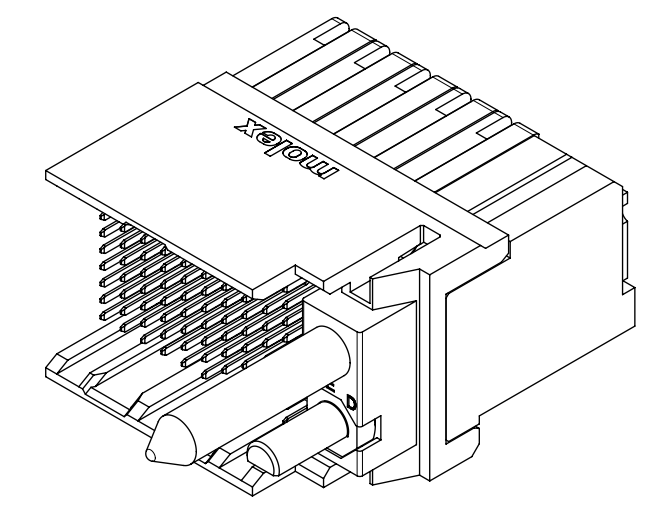
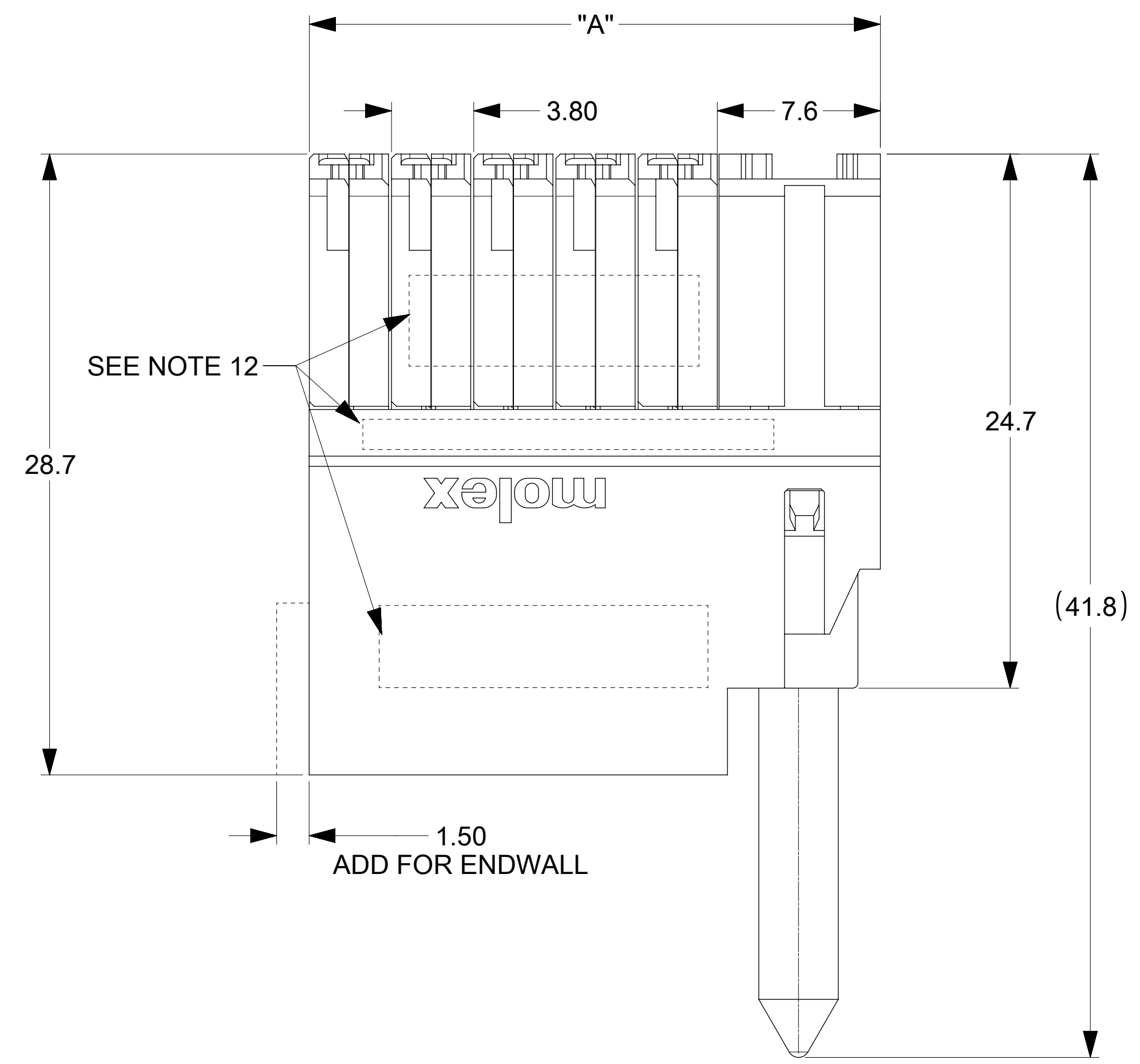
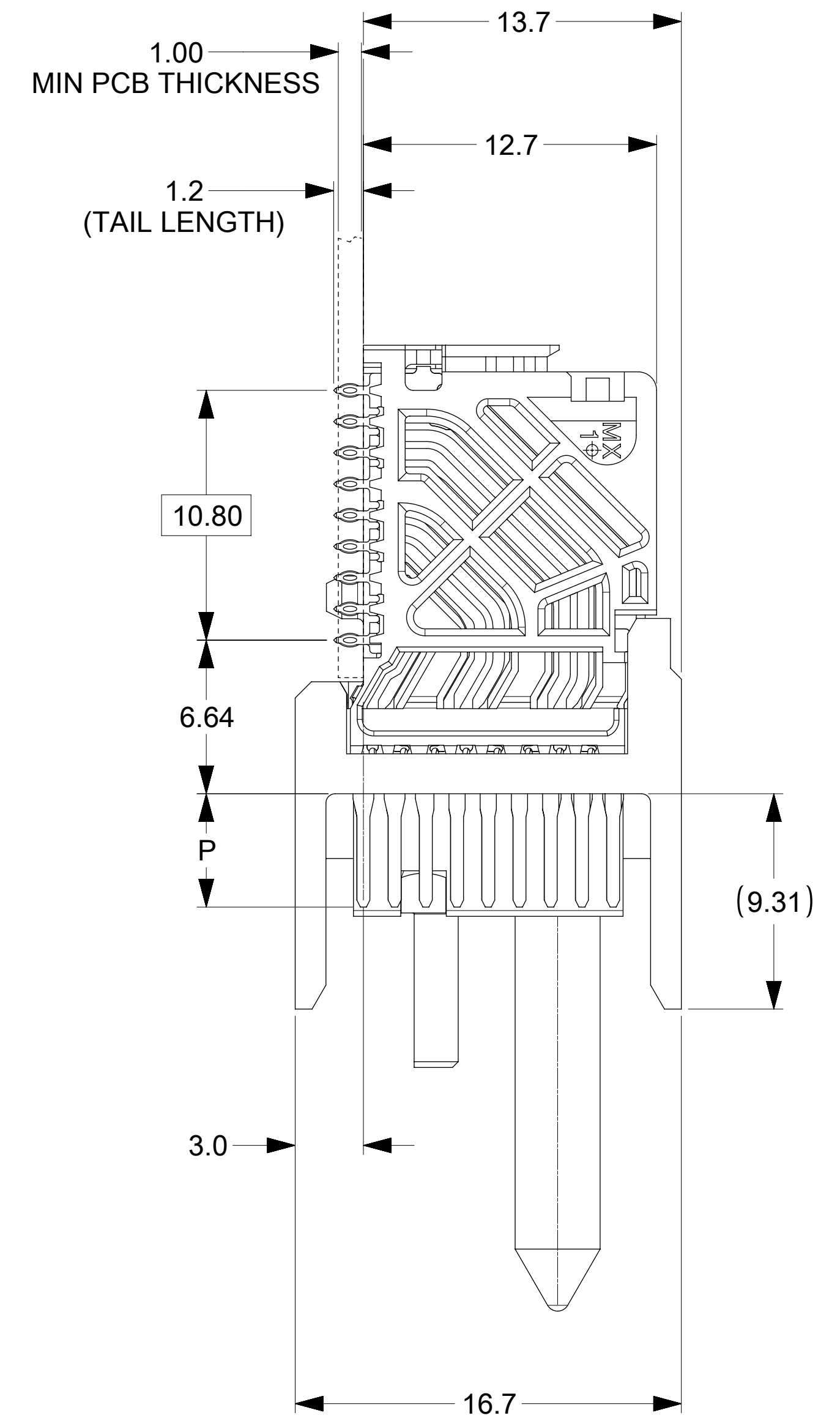
OF COLUMNS
 1 = 10 COL
 6 = 16 COL
 8 = 8 COL

POLARIZATION KEY ORIENTATION
 0 = NO KEY
 1 = A 5 = E
 2 = B 6 = F
 3 = C 7 = G
 4 = D 8 = H

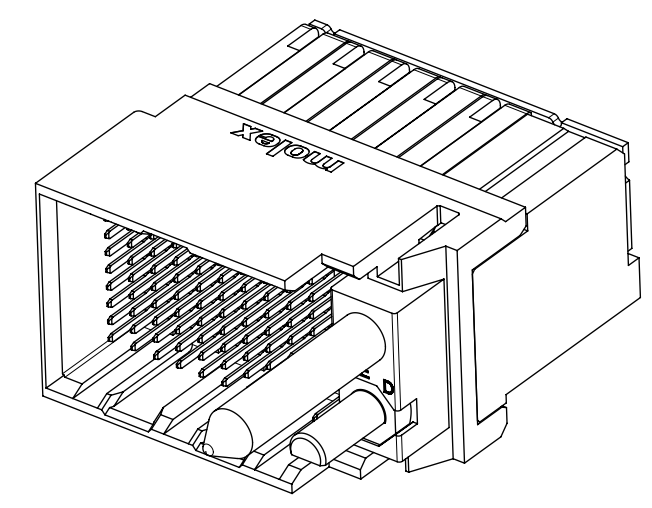
PIN LENGTH (P)
 4 = 4.90 (0.46 PTH)
 5 = 5.50 (0.46 PTH)
 7 = 4.90 (0.39 PTH)
 8 = 5.50 (0.39 PTH)

NOTES:

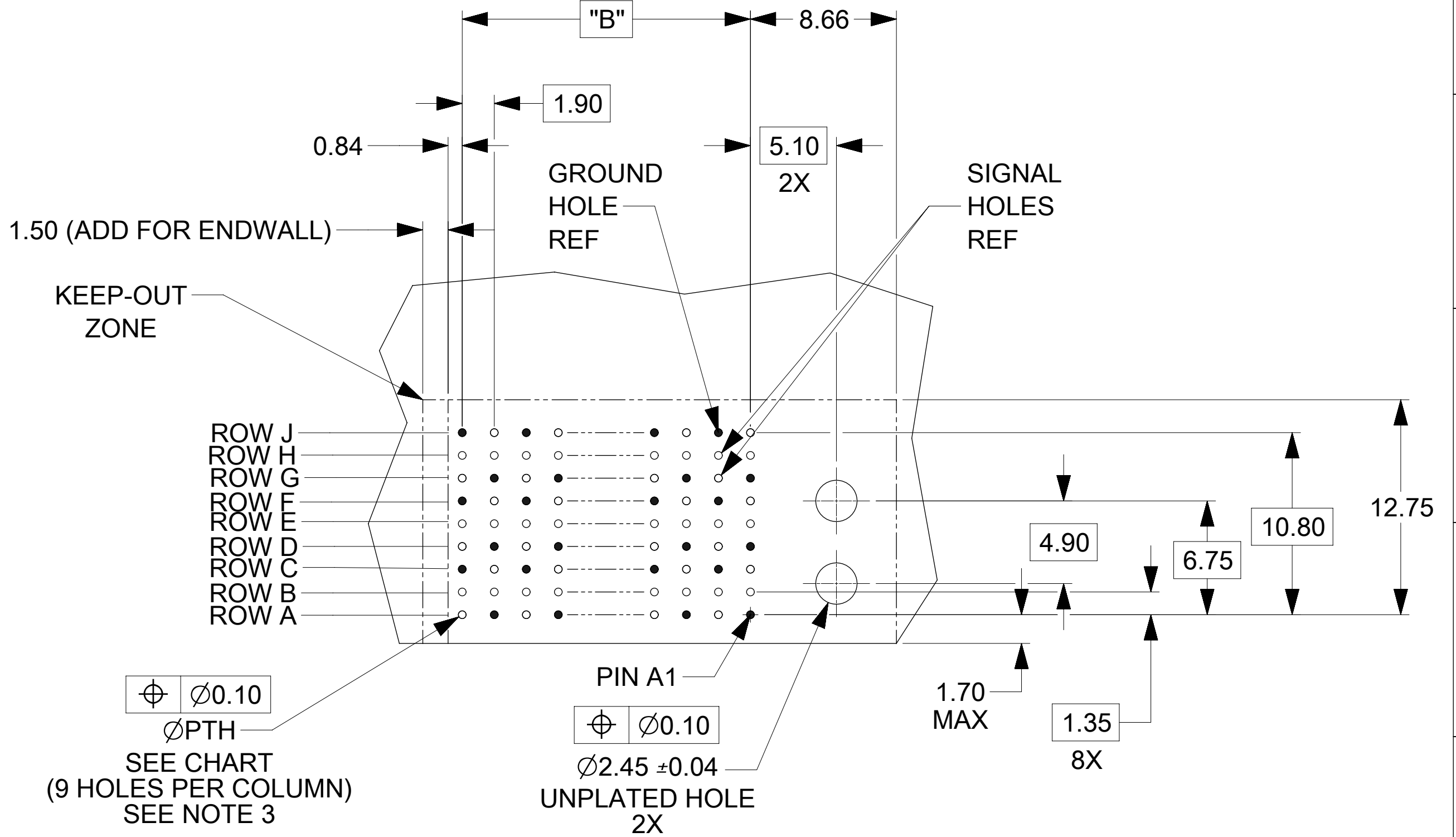
- MATERIALS: HOUSING - LIQUID CRYSTAL POLYMER (LCP), GLASS-FILLED, UL94V-0
 TERMINALS - HIGH PERFORMANCE COPPER ALLOY
- FINISH: 10 μ M SELECTIVE GOLD IN CONTACT AREA, SELECTIVE TIN ON PCB TAILS. NICKEL OVERALL.
- REFER TO MOLEX PRODUCT SPECIFICATION PS-76060-999 FOR PERFORMANCE SPECIFICATIONS AND ADDITIONAL PCB INFORMATION.
- EACH SIGNAL WAFER CONTAINS 2 COLUMNS OF TERMINALS.
- PRODUCT IS PACKAGED PER PK-70873-762.
- THIS PART CONFORMS TO CLASS B REQUIREMENTS OF COSMETIC SPEC PS-45499-002.
- REFER TO MOLEX SALES DRAWING SD-170467-0002 FOR THE MATING RECEPTACLES.
- REFER TO MOLEX PCB ROUTING GUIDE AS-76060-990 FOR ANTIPAD AND ROUTING RECOMMENDATIONS.
- MOLEX TO SUPPLY #2-23 SCREW 73726-0000. FOR BOARD THICKNESS AND OTHER SCREW INFORMATION. REFER TO IMPACT BACKPLANE SYSTEM SCREW DESIGN GUIDE AS-76060-9999.
- GUIDE RIGHT RAM MATES WITH A GUIDE LEFT DAUGHTERCARD.
- OPEN END VERSION SHOWN FOR CLARITY.
- MARKING: LOCATED APPROXIMATELY AS SHOWN. PART NUMBER AND DATE CODE.



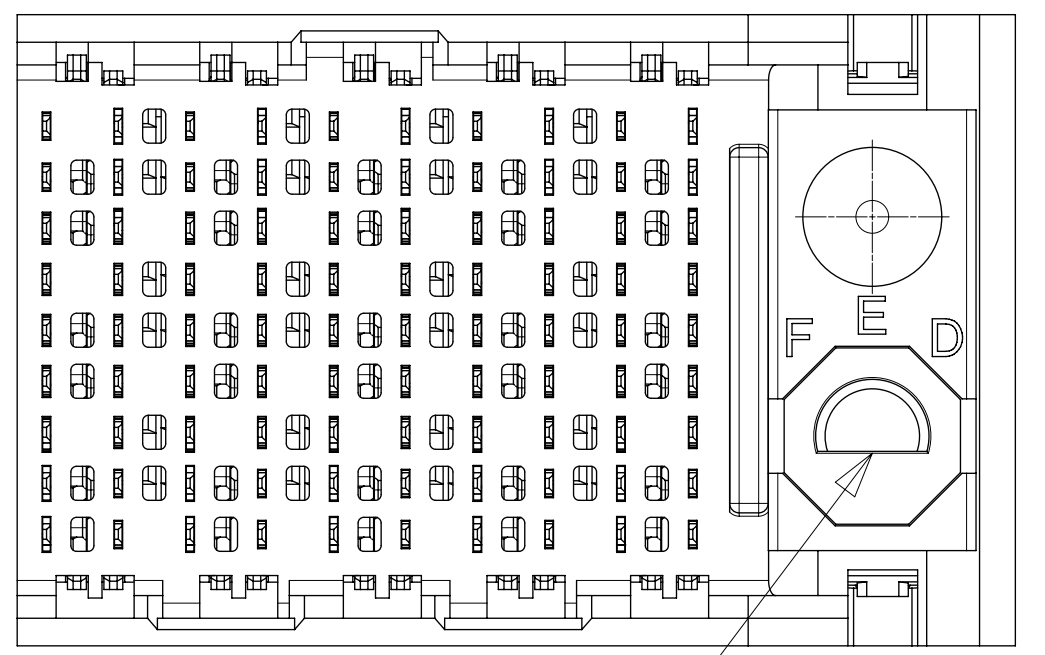
OPEN END OPTION



ENDWALL OPTION



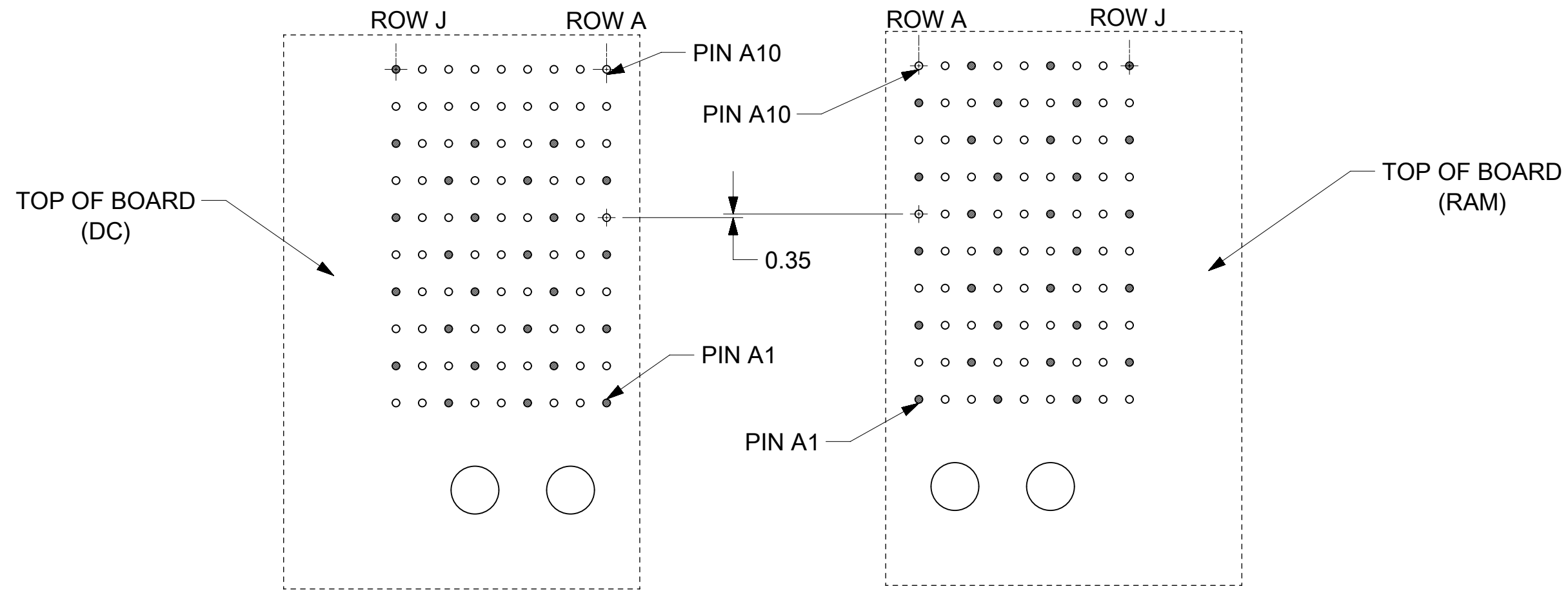
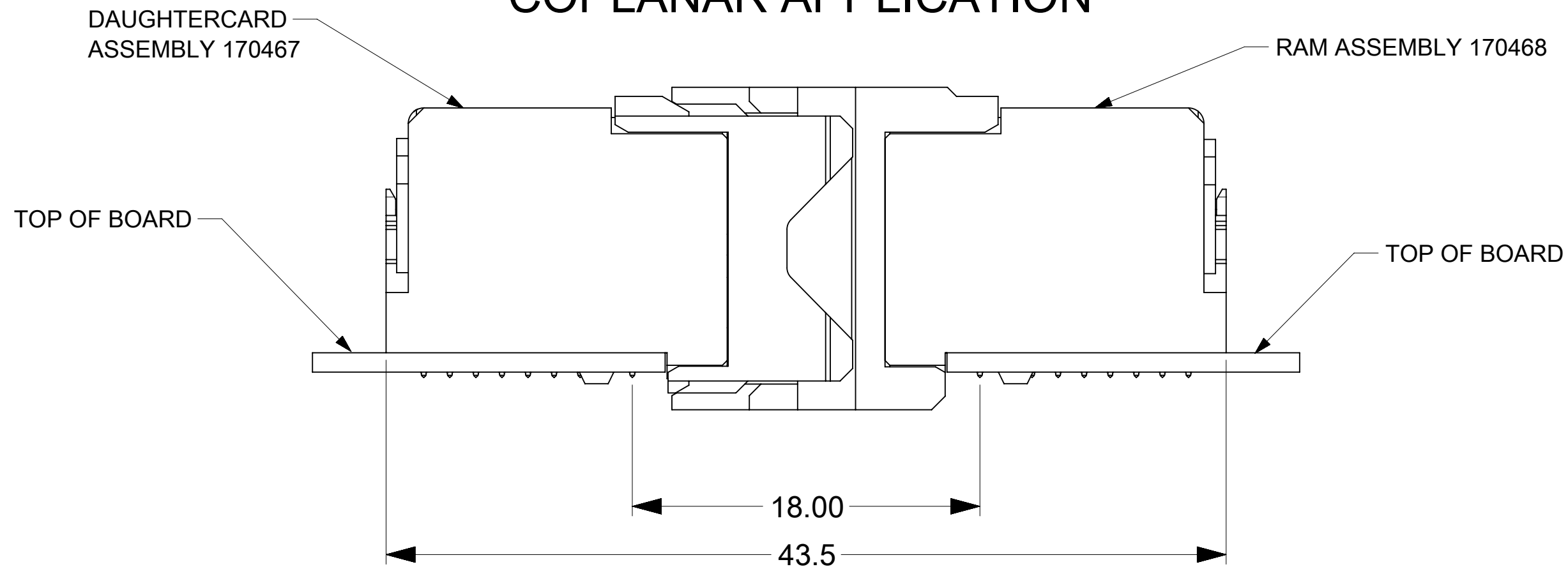
RAM HOLE PATTERN
(CONNECTOR SIDE)



KEY SHOWN
IN POSITION A

THIS DRAWING CONTAINS INFORMATION THAT IS PROPRIETARY TO MOLEX ELECTRONIC TECHNOLOGIES, LLC AND SHOULD NOT BE USED WITHOUT WRITTEN PERMISSION					
DIMENSION UNITS mm	SCALE NTS	CURRENT REV DESC: REVISED NOTE 9			
GENERAL TOLERANCES (UNLESS SPECIFIED)		molex IMPACT 3-PAIR 100-OHM GUIDE RIGHT RAM SIGNAL SALES DWG, MAPS PRODUCT CUSTOMER DRAWING			
ANGULAR TOL	$\pm 0.5^\circ$			EC NO: 623439	
4 PLACES	\pm			DRWN: JSGOH01	2019/09/02
3 PLACES	\pm			CHK'D: SHONG	2019/09/16
2 PLACES	± 0.13			APPR: SHONG	2019/09/16
1 PLACE	± 0.25	INITIAL REVISION:			
0 PLACES	\pm	DRWN: DVARVARA	2013/06/20		
DRAFT WHERE APPLICABLE MUST REMAIN WITHIN DIMENSIONS		APPR: DVARVARA	2013/06/20		
THIRD ANGLE PROJECTION	DRAWING	SERIES	MATERIAL NUMBER		
	D-SIZE	170468	SEE CHART		
		CUSTOMER	SHEET NUMBER		
		GENERAL MARKET	1 OF 2		

COPLANAR APPLICATION



COPLANAR MATED SIGNAL PATHS



THIS DRAWING CONTAINS INFORMATION THAT IS PROPRIETARY TO MOLEX ELECTRONIC TECHNOLOGIES, LLC AND SHOULD NOT BE USED WITHOUT WRITTEN PERMISSION															
DIMENSION UNITS		SCALE		CURRENT REV DESC: REVISED NOTE 9											
mm		NTS		molex IMPACT 3-PAIR 100-OHM GUIDE RIGHT RAM SIGNAL SALES DWG, MAPS PRODUCT CUSTOMER DRAWING											
GENERAL TOLERANCES (UNLESS SPECIFIED)															
ANGULAR TOL		± 0.5°													
4 PLACES		±													
3 PLACES		±													
2 PLACES		± 0.13		INITIAL REVISION:		DOCUMENT NUMBER		DOC TYPE DOC PART REVISION							
1 PLACE		± 0.25		DRWN: DVARVARA		2013/06/20		SD-170468-0004							
0 PLACES		±		APPR: DVARVARA		2013/06/20		PSD 001 A4							
DRAFT WHERE APPLICABLE MUST REMAIN WITHIN DIMENSIONS				THIRD ANGLE PROJECTION		DRAWING		SERIES		MATERIAL NUMBER		CUSTOMER		SHEET NUMBER	
						C-SIZE		170468		SEE CHART		GENERAL MARKET		2 OF 2	

MATERIAL NUMBER	# OF COLUMNS	# OF DIFF PAIR	DIM "A" MAX	DIM "B"	PTH \varnothing
76410-*8**	8	24	22.80	13.30	0.46 \pm 0.05
76410-*1**	10	30	26.60	17.10	0.46 \pm 0.05
76410-*4**	14	42	34.20	24.70	0.46 \pm 0.05
76410-*6**	16	48	38.00	28.50	0.46 \pm 0.05
76410-*8**	8	24	22.80	13.30	0.39 \pm 0.05
76410-*1**	10	30	26.60	17.10	0.39 \pm 0.05
76410-*4**	14	42	34.20	24.70	0.39 \pm 0.05
76410-*6**	16	48	38.00	28.50	0.39 \pm 0.05

76410-***

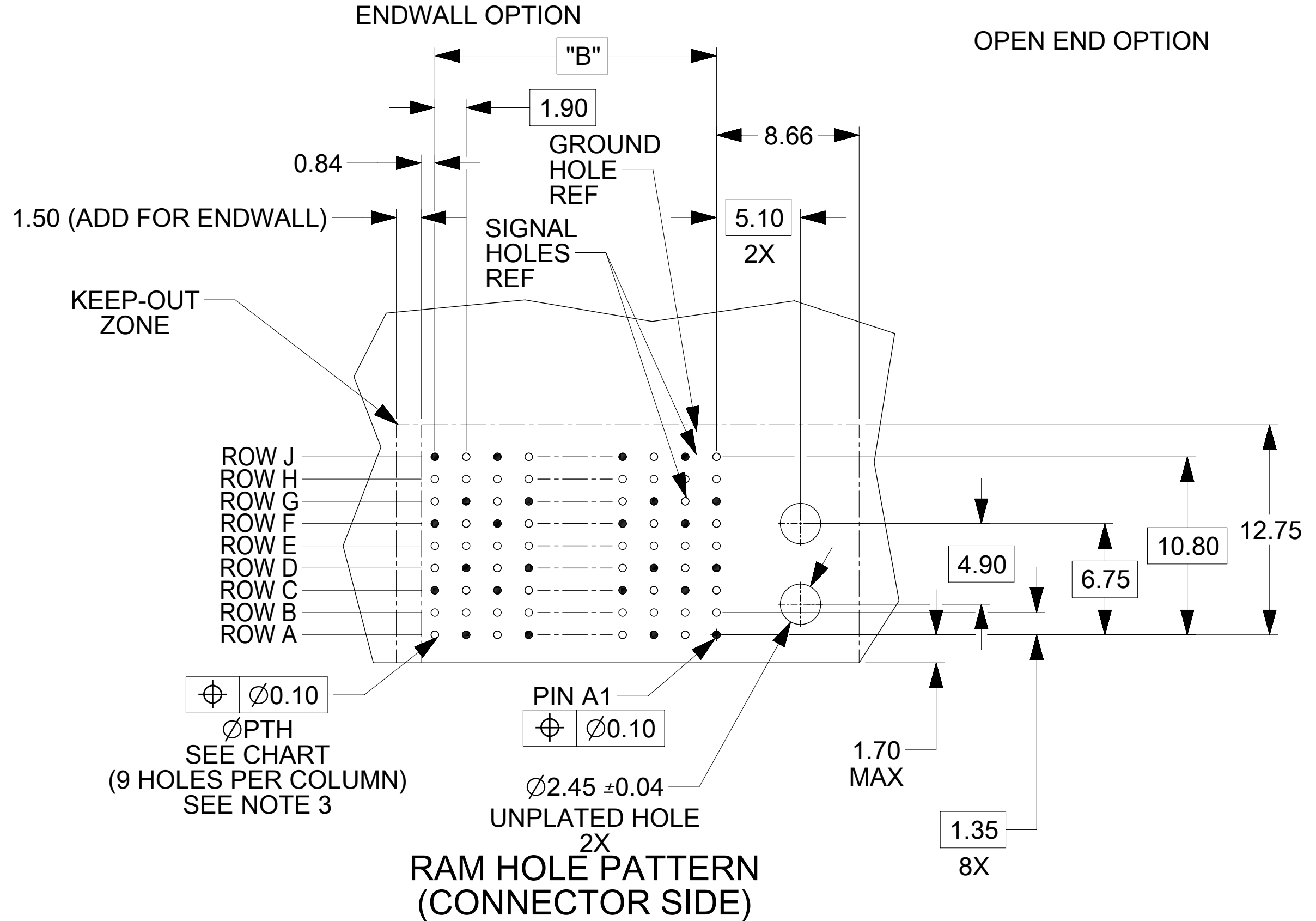
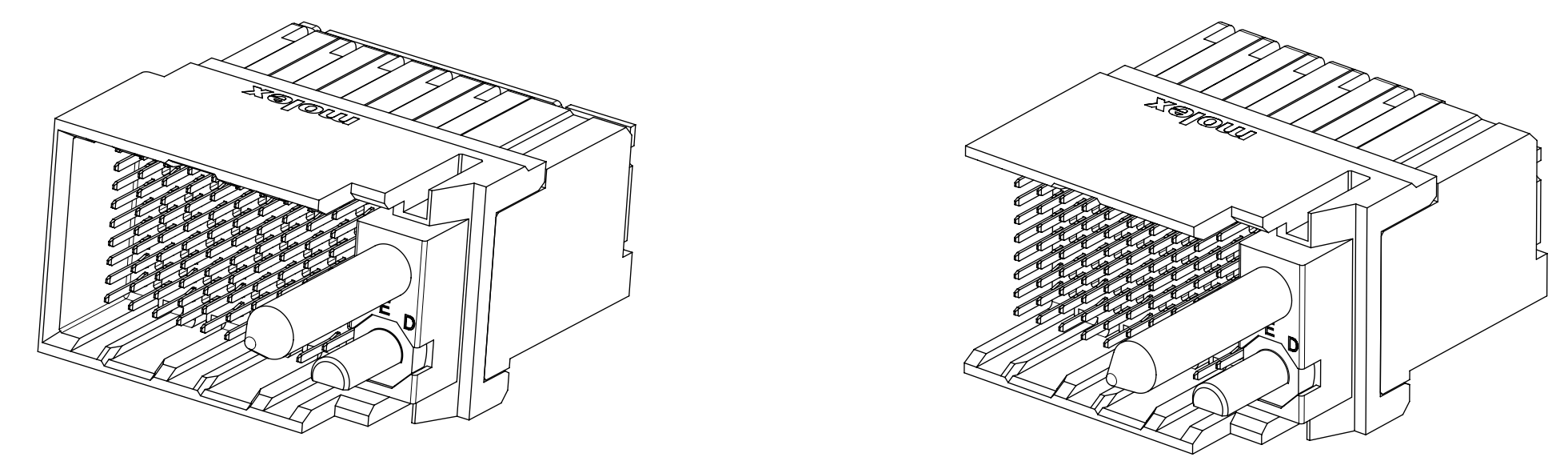
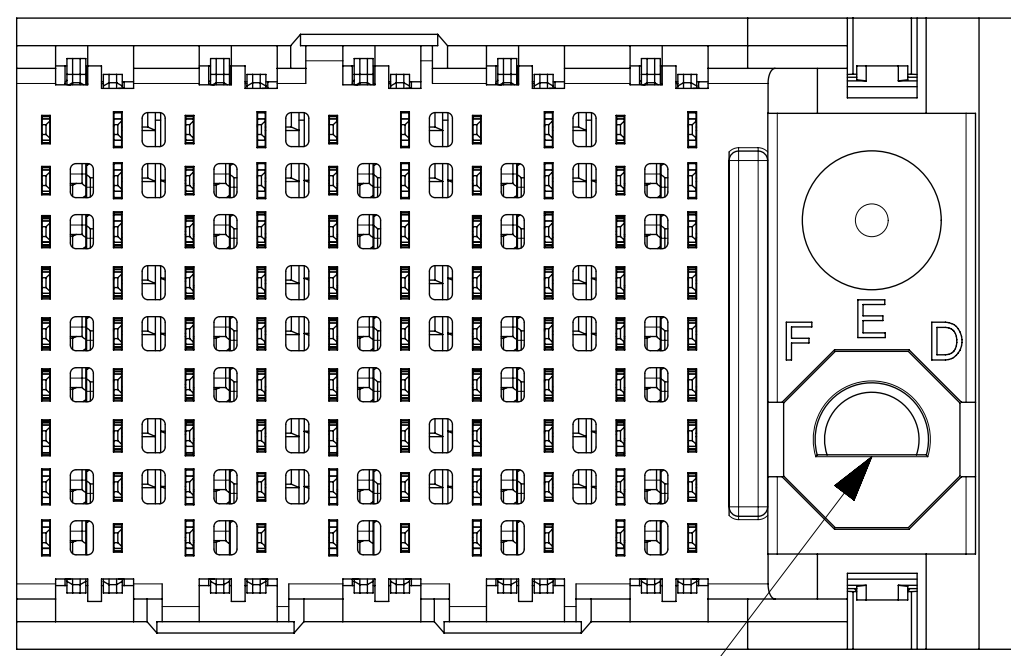
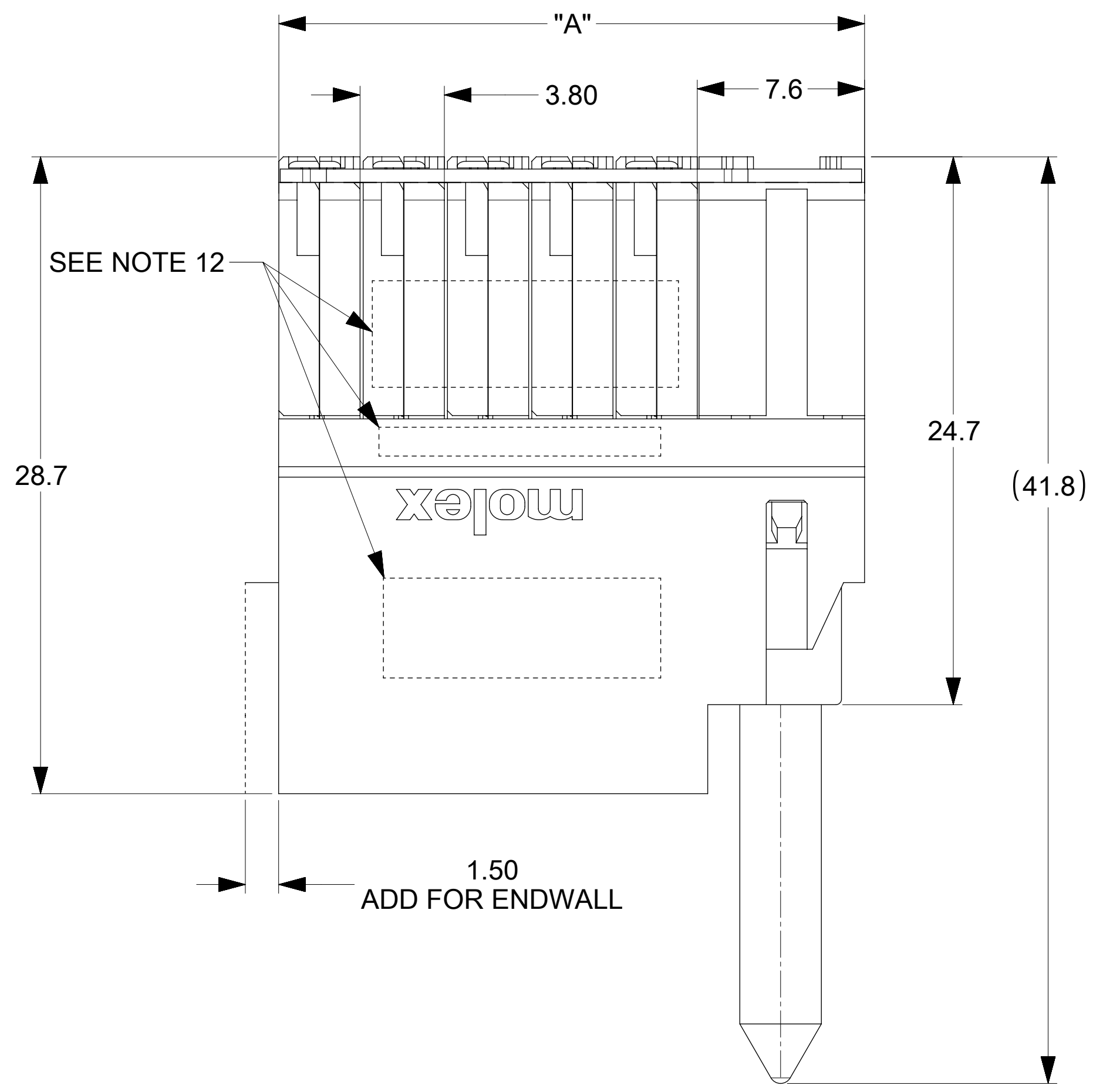
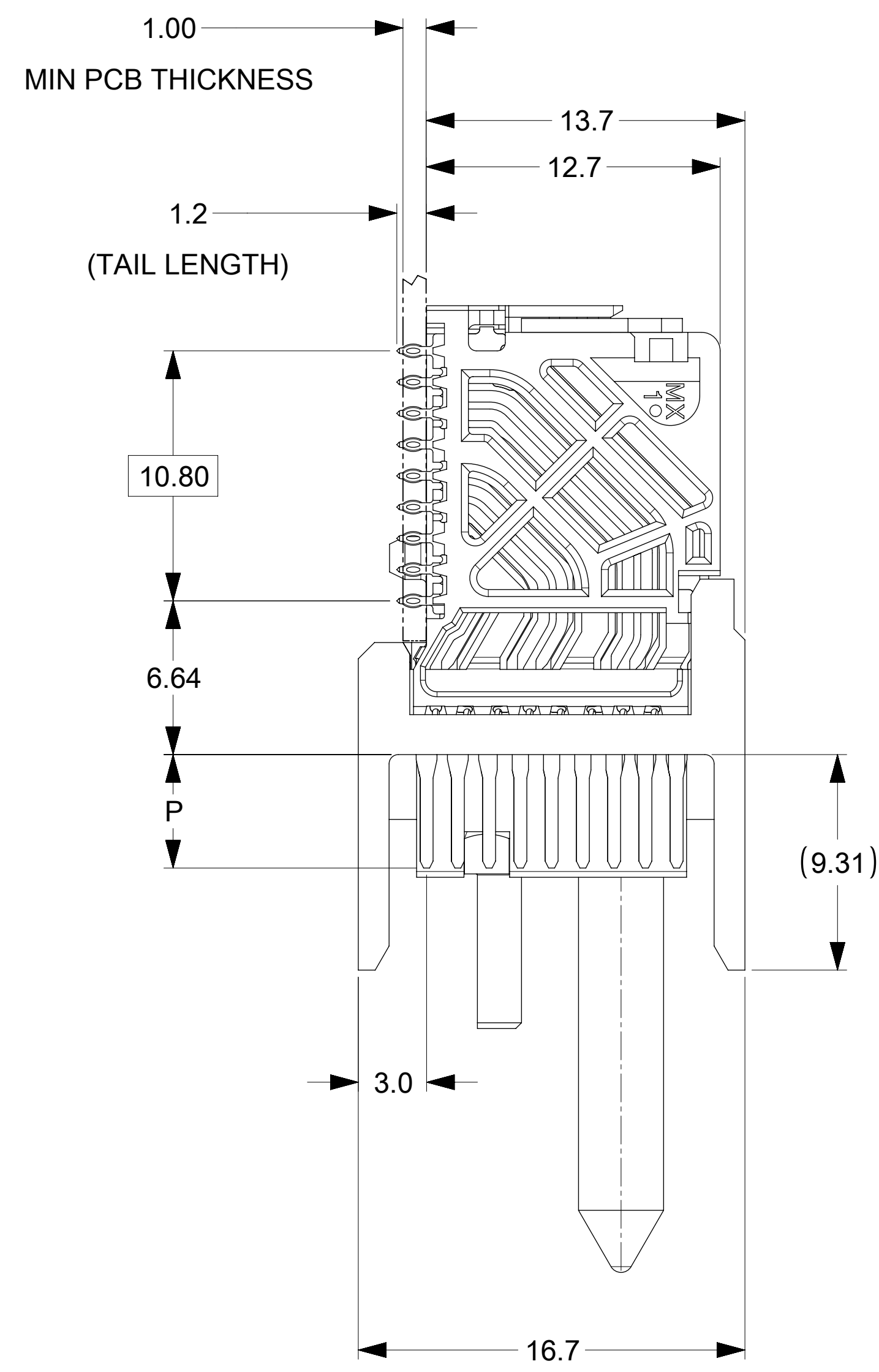
MODULE & TAIL PLATING TYPE
 5 = RIGHT GUIDED LEAD-FREE
 9 = RIGHT GUIDED LEAD-FREE W/ ENDWALL

PIN LENGTH (P)
 4 = 4.90 (0.46 PTH)
 5 = 5.50 (0.46 PTH)
 7 = 4.90 (0.39 PTH)
 8 = 5.50 (0.39 PTH)

OF COLUMNS
 1 = 10 COL
 4 = 14 COL
 6 = 16 COL
 8 = 8 COL

POLARIZATION KEY ORIENTATION
 0 = NO KEY
 1 = A 5 = E
 2 = B 6 = F
 3 = C 7 = G
 4 = D 8 = H

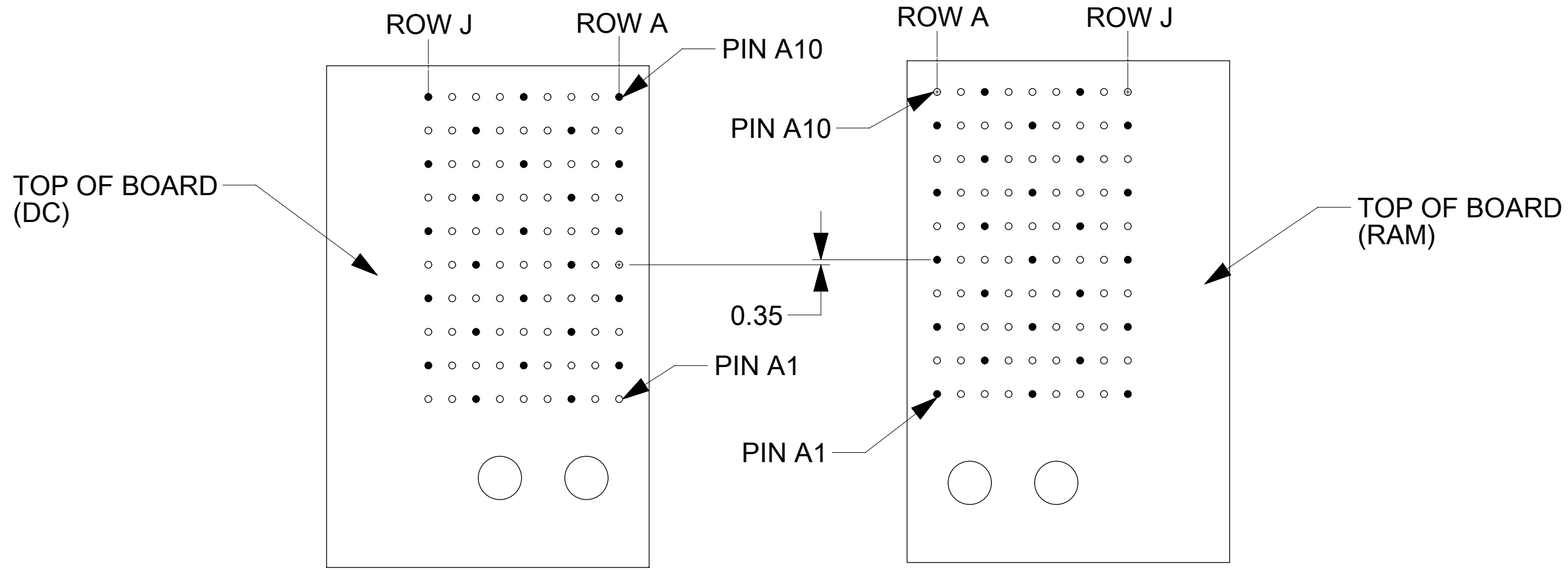
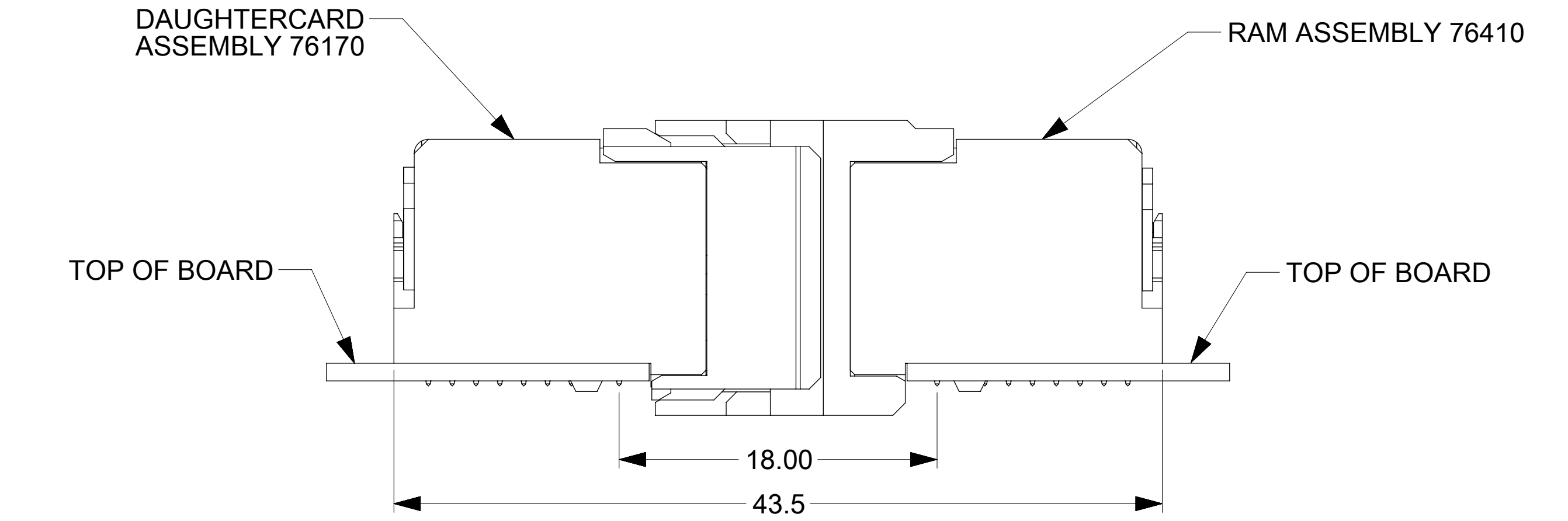
- NOTES:
- MATERIALS: HOUSING - LIQUID CRYSTAL POLYMER (LCP), GLASS-FILLED, UL94V-0
TERMINALS - HIGH PERFORMANCE COPPER ALLOY
 - FINISH: 30uIN SELECTIVE GOLD IN CONTACT AREA, SELECTIVE TIN ON PCB TAILS. NICKEL OVERALL.
 - REFER TO MOLEX PRODUCT SPECIFICATION PS-76060-999 FOR PERFORMANCE SPECIFICATIONS AND ADDITIONAL PCB INFORMATION.
 - EACH SIGNAL WAFER CONTAINS 2 COLUMNS OF TERMINALS.
 - PRODUCT IS PACKAGED PER PK-70873-762.
 - THIS PART CONFORMS TO CLASS B REQUIREMENTS OF COSMETIC SPEC PS-45499-002.
 - REFER TO MOLEX SALES DRAWING SD-76170-002 FOR THE MATING RECEPTACLES.
 - REFER TO MOLEX PCB ROUTING GUIDE AS-76060-990 FOR ANTIPAD AND ROUTING RECOMMENDATIONS.
 - MOLEX TO SUPPLY #2-23 SCREW 73726-0000.FOR BOARD THICKNESS AND OTHER SCREW INFORMATION REFER TO IMPACT BACKPLANE SYSTEM SCREW DESIGN GUIDE AS-76060-9999.
 - GUIDE RIGHT RAM MATES WITH A GUIDE LEFT DAUGHTERCARD.
 - OPEN END VERSION SHOWN FOR CLARITY.
 - MARKING: LOCATED APPROXIMATELY AS SHOWN. PART NUMBER AND DATE CODE.



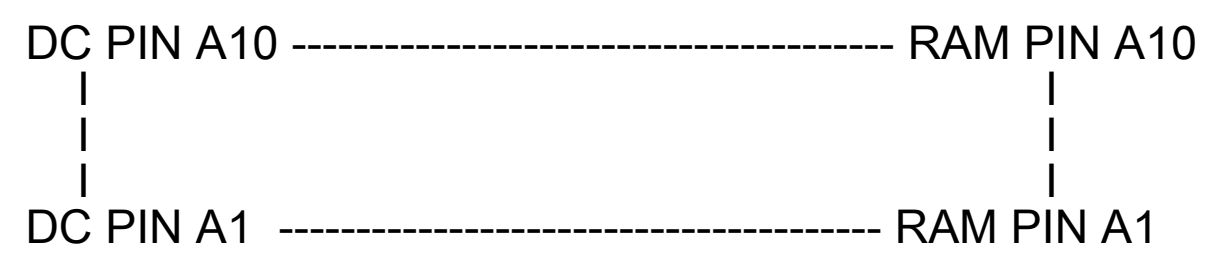
THIS DRAWING CONTAINS INFORMATION THAT IS PROPRIETARY TO MOLEX ELECTRONIC TECHNOLOGIES, LLC AND SHOULD NOT BE USED WITHOUT WRITTEN PERMISSION

DIMENSION UNITS	SCALE	CURRENT REV DESC:	molex		
mm	NTS	CHANGE SCREW P/N	IMPACT 3 PAIR RAM GUIDE RIGHT SIGNAL MODULE SALES DWG		
GENERAL TOLERANCES (UNLESS SPECIFIED)		EC NO: 623439	PRODUCT CUSTOMER DRAWING		
ANGULAR TOL	\pm 0.5°	DRWN: JSGOH01	2019/08/30	DOCUMENT NUMBER	
4 PLACES	\pm	CHK'D: SHONG	2019/09/16	DOC TYPE	DOC PART
3 PLACES	\pm	APPR: SHONG	2019/09/16	PSD	001
2 PLACES	\pm 0.13	INITIAL REVISION:	2008/10/23	REVISION	F3
1 PLACE	\pm 0.25	DRWN: JLAURX	2008/10/27	SD-76410-004	
0 PLACES	\pm	APPR: JLAURX	2008/10/27	GENERAL MARKET	
DRAFT WHERE APPLICABLE MUST REMAIN WITHIN DIMENSIONS		THIRD ANGLE PROJECTION	DRAWING	SERIES	SHEET NUMBER
			D-SIZE	76410	1 OF 2

COPLANAR APPLICATION



COPLANAR MATED SIGNAL PATHS



THIS DRAWING CONTAINS INFORMATION THAT IS PROPRIETARY TO MOLEX ELECTRONIC TECHNOLOGIES, LLC AND SHOULD NOT BE USED WITHOUT WRITTEN PERMISSION																																									
DIMENSION UNITS		SCALE		CURRENT REV DESC: CHANGE SCREW P/N																																					
mm		NTS		<table border="0"> <tr> <td colspan="3">molex</td> </tr> <tr> <td colspan="3">IMPACT 3 PAIR RAM</td> </tr> <tr> <td colspan="3">GUIDE RIGHT SIGNAL MODULE SALES DWG</td> </tr> <tr> <td colspan="3">PRODUCT CUSTOMER DRAWING</td> </tr> <tr> <td colspan="2">DOCUMENT NUMBER</td> <td>DOC TYPE</td> <td>DOC PART</td> <td>REVISION</td> </tr> <tr> <td colspan="2">SD-76410-004</td> <td>PSD</td> <td>001</td> <td>F3</td> </tr> <tr> <td colspan="2">MATERIAL NUMBER</td> <td colspan="2">CUSTOMER</td> <td>SHEET NUMBER</td> </tr> <tr> <td colspan="2">SEE TABLE</td> <td colspan="2">GENERAL MARKET</td> <td>2 OF 2</td> </tr> </table>						molex			IMPACT 3 PAIR RAM			GUIDE RIGHT SIGNAL MODULE SALES DWG			PRODUCT CUSTOMER DRAWING			DOCUMENT NUMBER		DOC TYPE	DOC PART	REVISION	SD-76410-004		PSD	001	F3	MATERIAL NUMBER		CUSTOMER		SHEET NUMBER	SEE TABLE		GENERAL MARKET		2 OF 2
molex																																									
IMPACT 3 PAIR RAM																																									
GUIDE RIGHT SIGNAL MODULE SALES DWG																																									
PRODUCT CUSTOMER DRAWING																																									
DOCUMENT NUMBER		DOC TYPE	DOC PART	REVISION																																					
SD-76410-004		PSD	001	F3																																					
MATERIAL NUMBER		CUSTOMER		SHEET NUMBER																																					
SEE TABLE		GENERAL MARKET		2 OF 2																																					
GENERAL TOLERANCES (UNLESS SPECIFIED)																																									
ANGULAR TOL ± 0.5°																																									
4 PLACES ±																																									
3 PLACES ±																																									
2 PLACES ± 0.13																																									
1 PLACE ± 0.25																																									
0 PLACES ±																																									
DRAFT WHERE APPLICABLE MUST REMAIN WITHIN DIMENSIONS		THIRD ANGLE PROJECTION		DRAWING		SERIES		INITIAL REVISION:																																	
				C-SIZE		76410		DRWN: JLAURX 2008/10/23 APPR: JLAURX 2008/10/27																																	