

NOTES

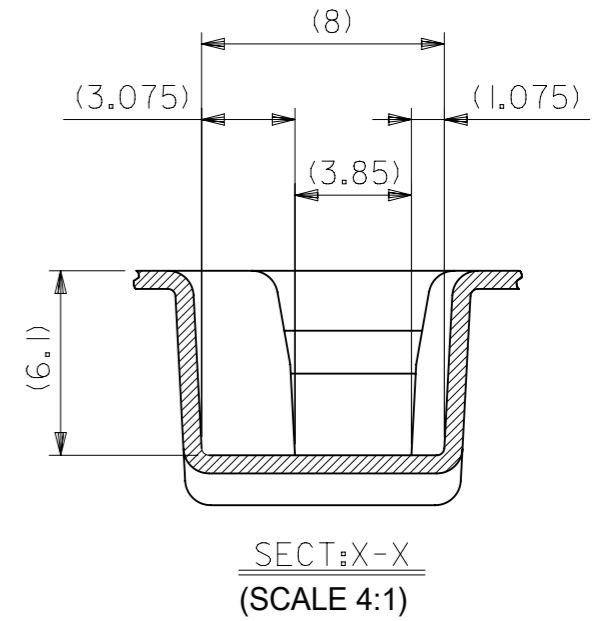
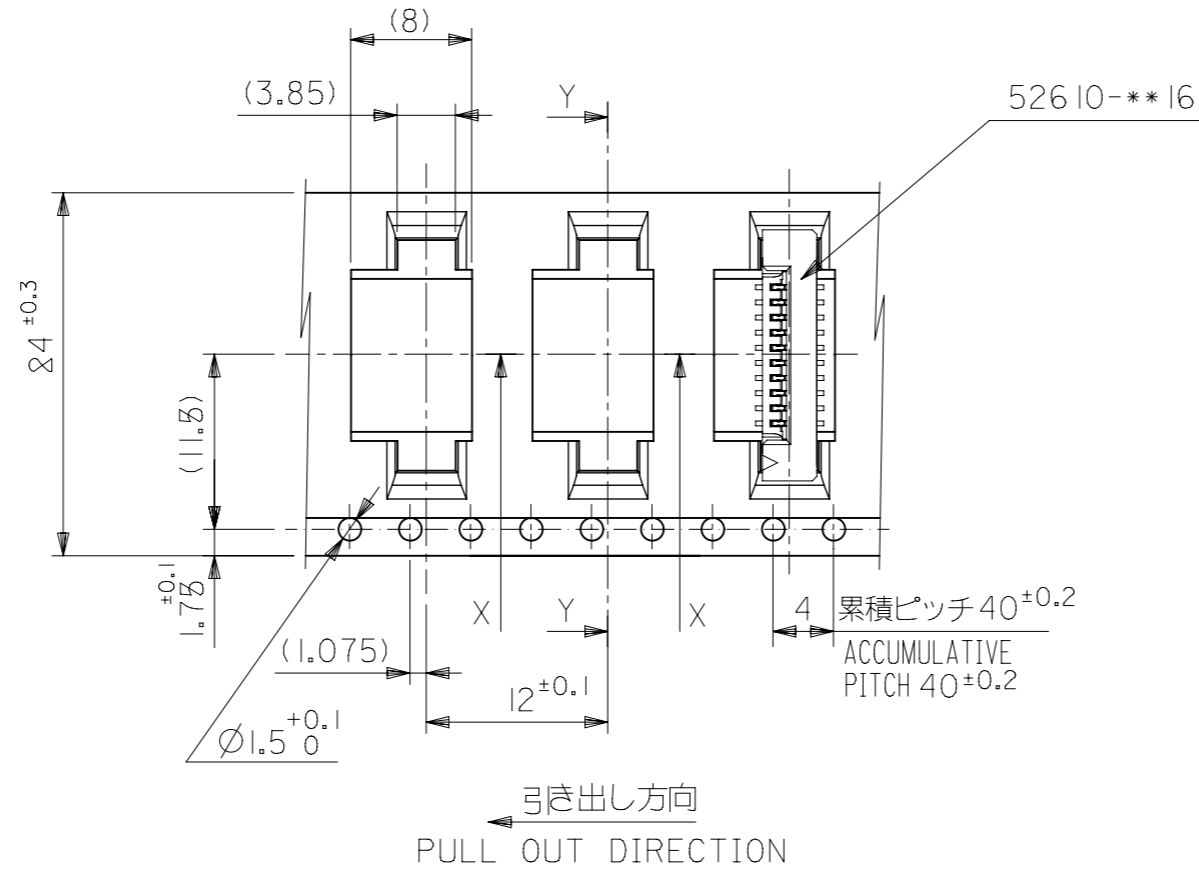
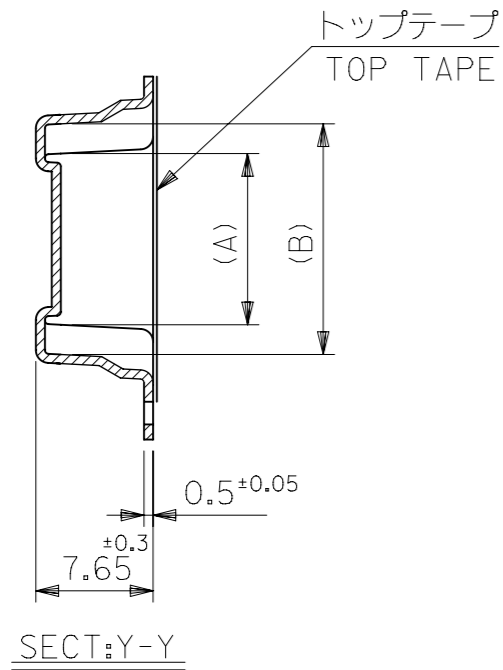
- 梱包数量：1000個/リール
NUMBER OF CONNECTORS : 1000PCS/REEL
- リードテープ長さ LEAD TAPE LENGTH
20PCS. MIN. トップテープ接着部 (空エンボス)
TOP TAPE BONDED PART. (EMPTY)
引き出し方向
PULL OUT DIRECTION
400 MIN.
部品挿入部
COMPONENT SUPPLIER
末端部 (空部)
TAIL PART (EMPTY)
40 MIN.
- トップテープの剥離強度：0.1~1.3N {10gf~130gf} (剥離方向は下図参照)
尚、本規格値は出荷時に適用。(但し、輸送時に剥離が発生しないこと。)
PEELING OFF FORCE OF TOP TAPE : 0.1~1.3N {10gf~130gf}
(PEELING DIRECTION AS SHOWN IN FOLLOWING FIG.)
THIS REQUIREMENT SHOULD BE APPLIED AT SHIPMENT.
PEEL OFF SHOULD NOT BE ALLOWED , DURING TRANSPORTATION.
引き出し方向
PULL OUT DIRECTION
剥離方向
PEEL OFF DIRECTION
10°
- 52610-**-16のアクチュエータはハウジング内に押し下げた状態とする。
詳細寸法については 製品単体図面 を参照下さい。
ACTUATOR OF PART NO. 52610-**-16 SHOULD BE LOCKED.
RE DETAILED DIMENSIONS , SEE SALES DRAWING FOR CONNECTOR.
- 材料(MATERIAL)
キャリアテープ(CARRIER TAPE) : ポリプロピレン(POLYPROPYLENE)
トップテープ(TOPTAPE) : PET , PE , PEF
リール(REEL) : ポリスチレン (PS) <リサイクル材を含む>
POLYSTYREN(PS) <RECYCLE MATERIAL CONTAINED>
- 本製品は 52610-**-90 の鉛フリー品です
- 本製品は乾燥剤入り、ハイバリア梱包仕様である。
THIS PRODUCT IS HIGH BARRIER PACKAGE WITH DESICCANT.

GENERAL TOLERANCES (UNLESS SPECIFIED)	
10 ^{UNDER}	±0.2
10 ^{OVER} 30 ^{UNDER}	±0.25
30 ^{OVER}	±0.3
ANGULAR	±3°

THIS DRAWING CONTAINS INFORMATION THAT IS PROPRIETARY TO MOLEX ELECTRONIC TECHNOLOGIES, LLC AND SHOULD NOT BE USED WITHOUT WRITTEN PERMISSION
DIMENSION UNITS: mm
SCALE: NTS
GENERAL TOLERANCES (UNLESS SPECIFIED)
ANGULAR TOL ±
4 PLACES ±
3 PLACES ±
2 PLACES ±
1 PLACE ±
0 PLACES ±
DRAFT WHERE APPLICABLE MUST REMAIN WITHIN DIMENSIONS

CURRENT REV DESC:	
EC NO: 719890	2022/09/01
DRWN: DGONDO	2022/09/05
CHK'D: SMARUYAMA	2022/09/05
APPR: YNAITO	2022/09/05
INITIAL REVISION:	
DRWN: NAIDA	2005/08/08
APPR: NUKITA	2005/08/22

52610-**71		MODEL NO.	
molex			
1.0 FPC CONN SMT ZIF EMBSTP PKG -LEAD FREE-			
PRODUCT CUSTOMER DRAWING			
DOCUMENT NUMBER	DOC TYPE	DOC PART	REVISION
SD-52610-038	PSD	001	D
MATERIAL NUMBER	CUSTOMER	SHEET NUMBER	
SEE TABLE	GENERAL MARKET	1 OF 5	

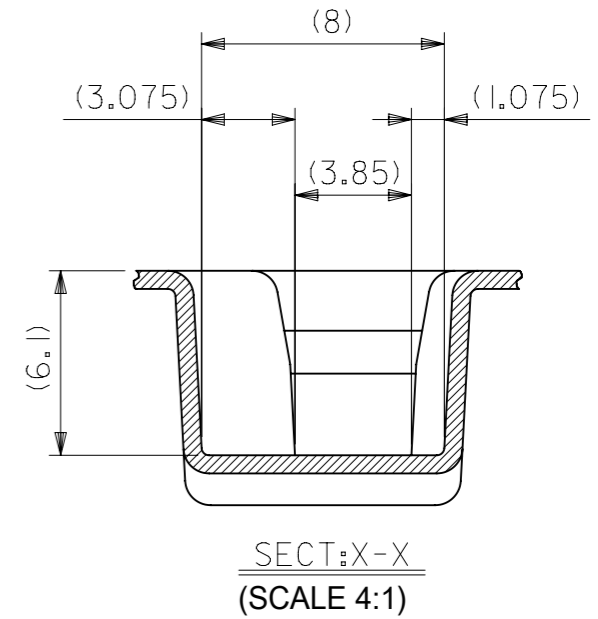
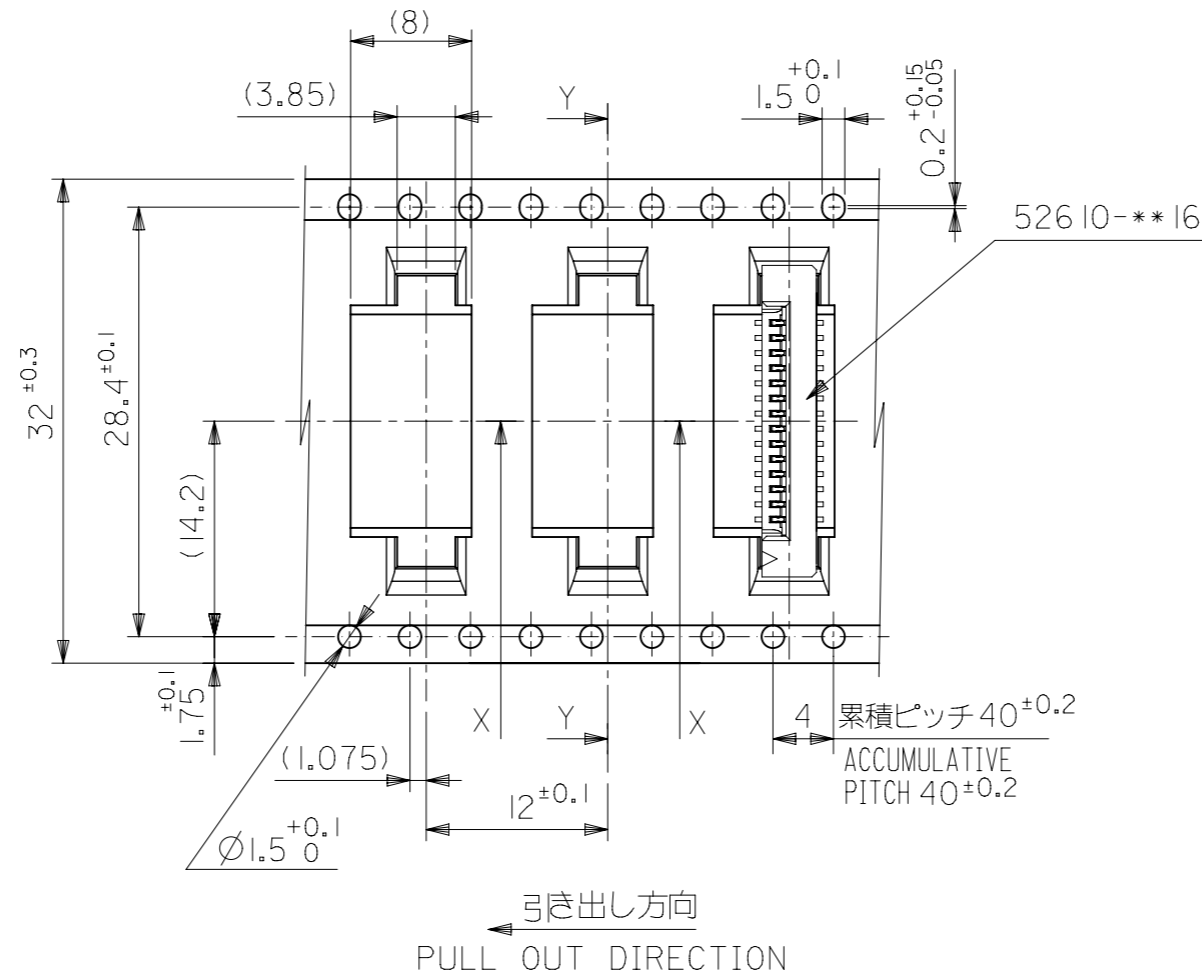
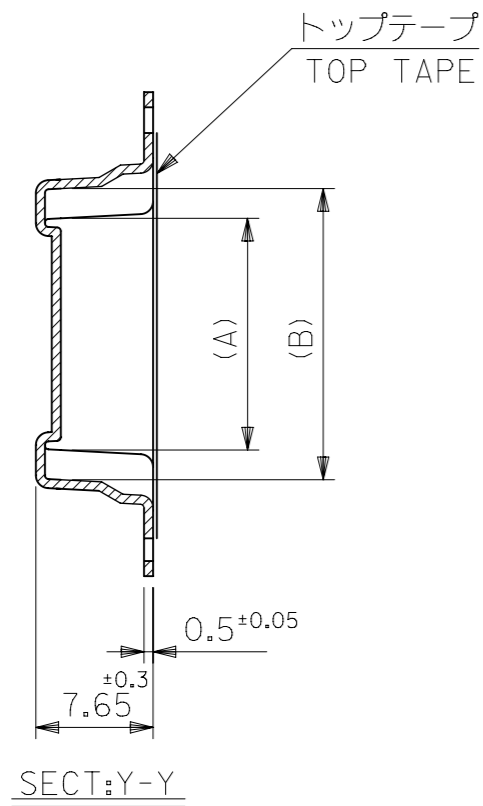


24	29.4	25.4	15.25	11.32	52610-1071	10
			14.25	10.32	52610-0971	9
			13.25	9.32	52610-0871	8
			12.25	8.32	52610-0771	7
			11.25	7.32	52610-0671	6
			10.25	6.32	52610-0571	5
キャリアテープ幅 CARRIER TAPE WIDTH	D	C	(B)	(A)	MATERIAL NO.	極数 CKT.

52610-**-71 MODEL NO.

THIS DRAWING CONTAINS INFORMATION THAT IS PROPRIETARY TO MOLEX ELECTRONIC TECHNOLOGIES, LLC AND SHOULD NOT BE USED WITHOUT WRITTEN PERMISSION		CURRENT REV DESC:		molex				
DIMENSION UNITS	SCALE	EC NO: 719890						1.0 FPC CONN SMT ZIF EMBSTP PKG -LEAD FREE-
mm	NTS	DRWN: DGONDO 2022/09/01		PRODUCT CUSTOMER DRAWING				
GENERAL TOLERANCES (UNLESS SPECIFIED)		CHK'D: SMARUYAMA 2022/09/05		DOCUMENT NUMBER				
ANGULAR TOL ±		APPR: YNAITO 2022/09/05		SD-52610-038		DOC TYPE	DOC PART	REVISION
4 PLACES	±	INITIAL REVISION:		2005/08/08		PSD	001	D
3 PLACES	±	DRWN: NAIDA 2005/08/08		2005/08/22		SHEET NUMBER		
2 PLACES	±	APPR: NUKITA		SERIES		MATERIAL NUMBER		CUSTOMER
1 PLACE	±	DRAFT WHERE APPLICABLE MUST REMAIN WITHIN DIMENSIONS		A3-SIZE		SEE TABLE		GENERAL MARKET
0 PLACES	±	THIRD ANGLE PROJECTION		52610		CUSTOMER		2 OF 5

GENERAL TOLERANCES (UNLESS SPECIFIED)	
10 ^{UNDER}	±0.2
10 ^{OVER} 30 ^{UNDER}	±0.25
30 ^{OVER}	±0.3
ANGULAR	±3°

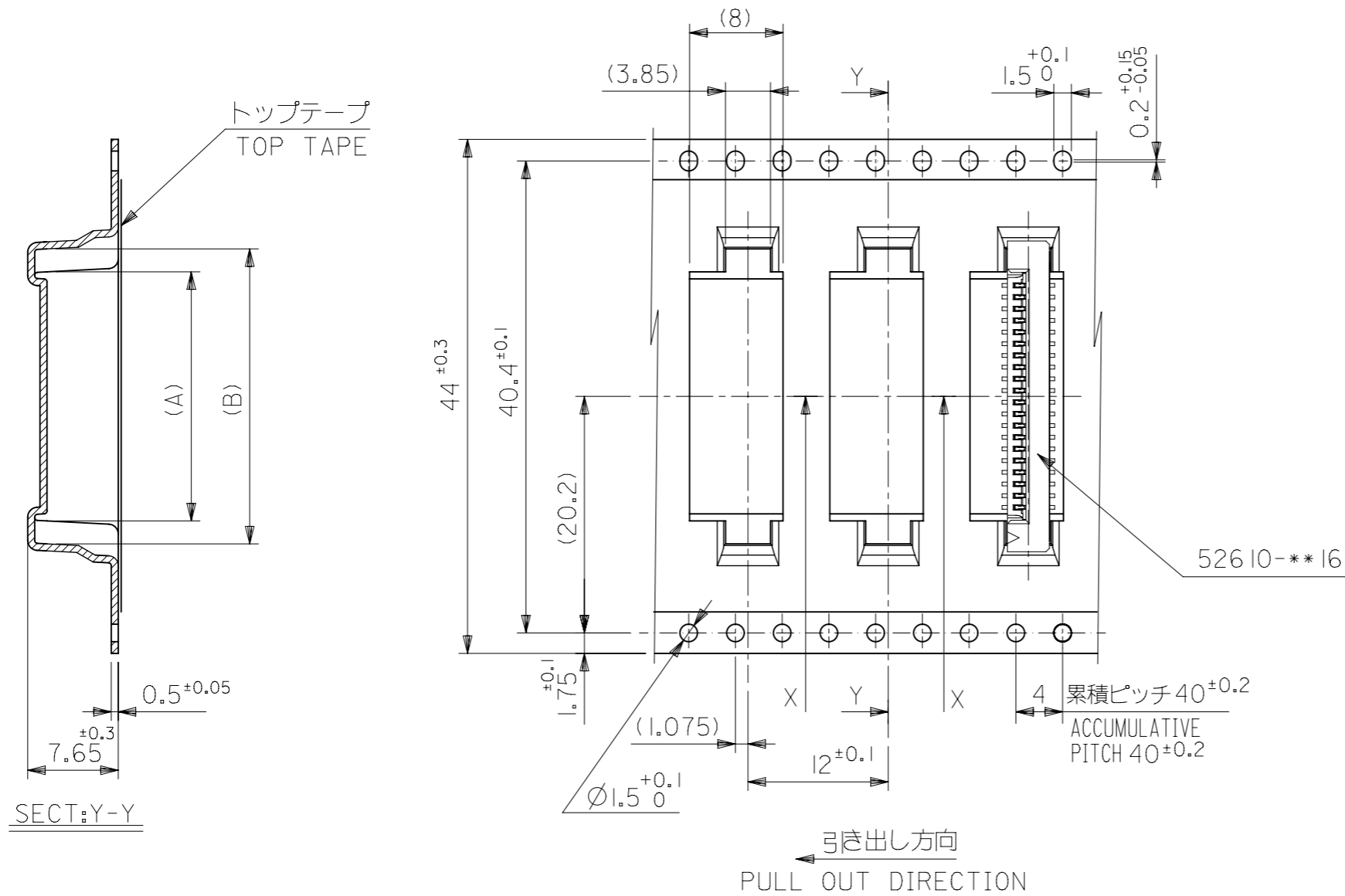


32	37.4	33.4	20.25	16.32	52610-1571	15
			19.25	15.32	52610-1471	14
			18.25	14.32	52610-1371	13
			17.25	13.32	52610-1271	12
			16.25	12.32	52610-1171	11
キャリアテープ幅 CARRIER TAPE WIDTH	D	C	(B)	(A)	MATERIAL NO.	極数 CKT.

52610-**71 MODEL NO.

THIS DRAWING CONTAINS INFORMATION THAT IS PROPRIETARY TO MOLEX ELECTRONIC TECHNOLOGIES, LLC AND SHOULD NOT BE USED WITHOUT WRITTEN PERMISSION		CURRENT REV DESC:		molex	
DIMENSION UNITS	SCALE	EC NO: 719890			
mm	NTS	DRWN: DGONDO 2022/09/01		1.0 FPC CONN SMT ZIF EMBSTP PKG -LEAD FREE-	
GENERAL TOLERANCES (UNLESS SPECIFIED)		CHK'D: SMARUYAMA 2022/09/05			
ANGULAR TOL ±		APPR: YNAITO 2022/09/05		PRODUCT CUSTOMER DRAWING	
4 PLACES ±		INITIAL REVISION:		DOCUMENT NUMBER	
3 PLACES ±		DRWN: NAIDA 2005/08/08		SD-52610-038	
2 PLACES ±		APPR: NUKITA 2005/08/22		DOC TYPE DOC PART REVISION	
1 PLACE ±		DRAWING		PSD 001 D	
0 PLACES ±		SERIES		MATERIAL NUMBER CUSTOMER SHEET NUMBER	
DRAFT WHERE APPLICABLE MUST REMAIN WITHIN DIMENSIONS		THIRD ANGLE PROJECTION		SEE TABLE GENERAL MARKET 3 OF 5	

GENERAL TOLERANCES (UNLESS SPECIFIED)	
10 ^{UNDER}	±0.2
10 ^{OVER} 30 ^{UNDER}	±0.25
30 ^{OVER}	±0.3
ANGULAR	±3°



44	49.4	45.4	31.25	27.32	526 10-2671	26
			30.25	26.32	526 10-2571	25
			29.25	25.32	526 10-2471	24
			28.25	24.32	526 10-2371	23
			27.25	23.32	526 10-2271	22
			26.25	22.32	526 10-2171	21
			25.25	21.32	526 10-2071	20
			24.25	20.32	526 10-1971	19
			23.25	19.32	526 10-1871	18
			22.25	18.32	526 10-1771	17
			21.25	17.32	526 10-1671	16
キャリアテープ幅 CARRIER TAPE WIDTH	D	C	(B)	(A)	MATERIAL NO.	極数 CKT.

52610-**71 MODEL NO.

THIS DRAWING CONTAINS INFORMATION THAT IS PROPRIETARY TO MOLEX ELECTRONIC TECHNOLOGIES, LLC AND SHOULD NOT BE USED WITHOUT WRITTEN PERMISSION

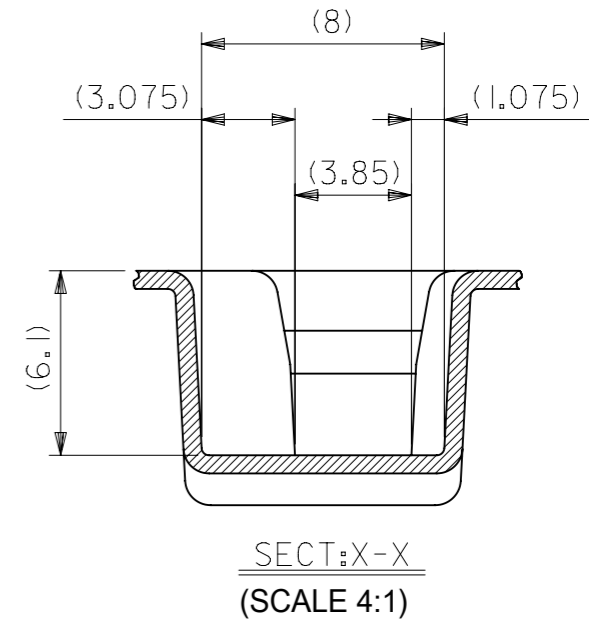
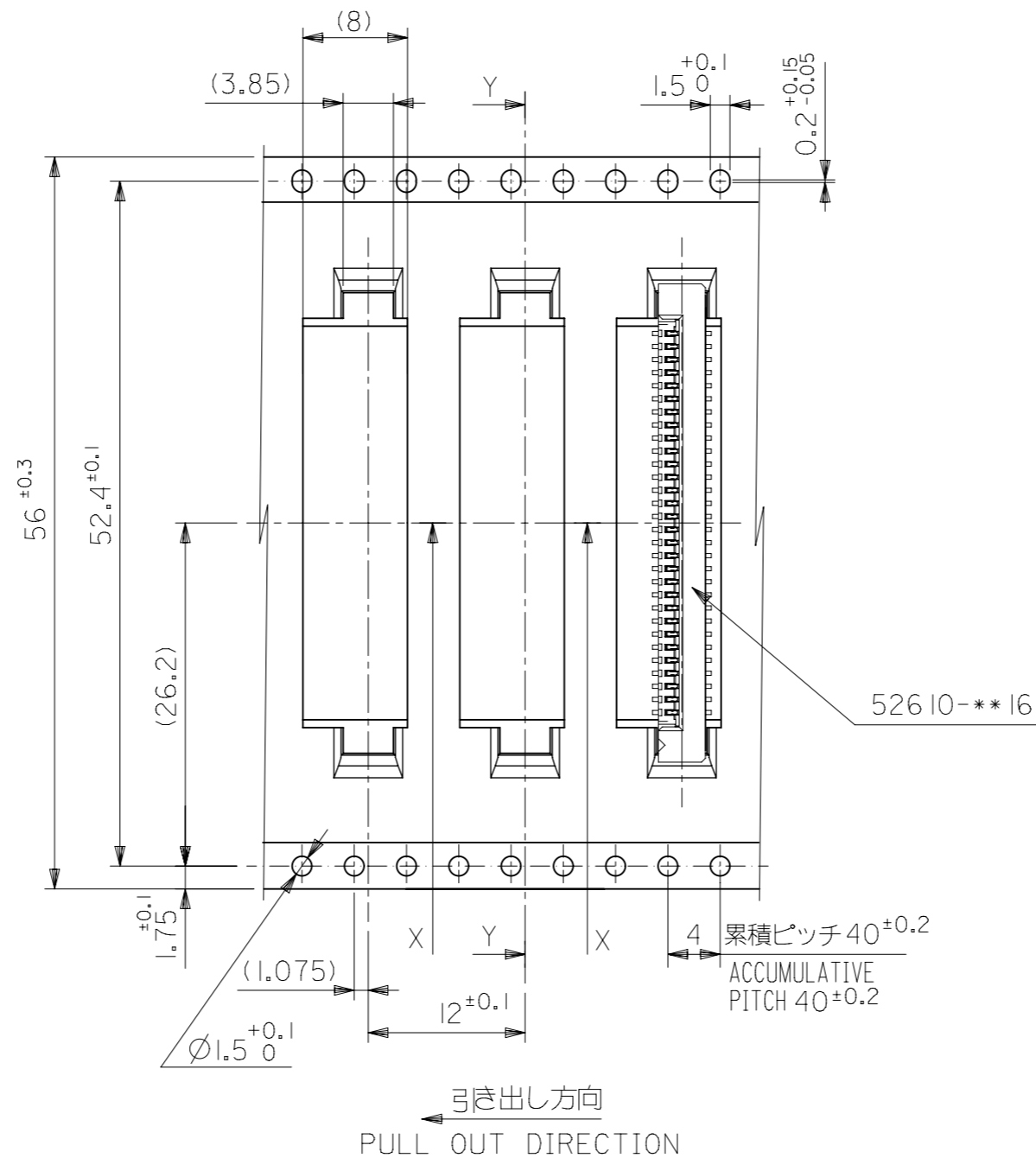
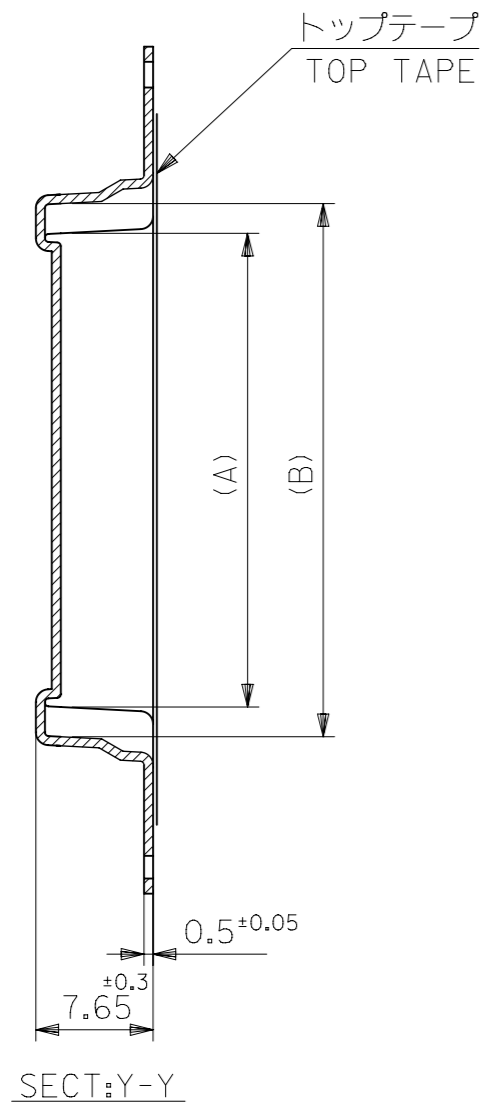
DIMENSION UNITS	SCALE	CURRENT REV DESC:			
mm	NTS				
GENERAL TOLERANCES (UNLESS SPECIFIED)		molex			
ANGULAR TOL ±		1.0 FPC CONN SMT ZIF EMBSTP PKG -LEAD FREE-			
4 PLACES ±		PRODUCT CUSTOMER DRAWING			
3 PLACES ±		DOCUMENT NUMBER			
2 PLACES ±		SD-52610-038			
1 PLACE ±		DOC TYPE			
0 PLACES ±		PSD			
DRAFT WHERE APPLICABLE MUST REMAIN WITHIN DIMENSIONS		DOC PART			
THIRD ANGLE PROJECTION		001			
DRAWING		REVISION			
A3-SIZE		D			
SERIES		SHEET NUMBER			
52610		4 OF 5			
MATERIAL NUMBER		CUSTOMER			
SEE TABLE		GENERAL MARKET			

EC NO: 719890
DRWN: DGONDO 2022/09/01
CHK'D: SMARUYAMA 2022/09/05
APPR: YNAITO 2022/09/05

INITIAL REVISION:
DRWN: NAIDA 2005/08/08
APPR: NUKITA 2005/08/22

GENERAL TOLERANCES (UNLESS SPECIFIED)

10 ^{UNDER}	±0.2
10 ^{OVER} 30 ^{UNDER}	±0.25
30 ^{OVER}	±0.3
ANGULAR	±3°

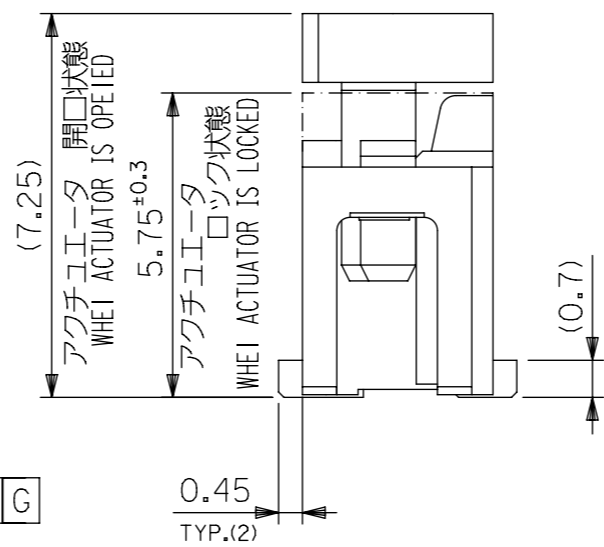
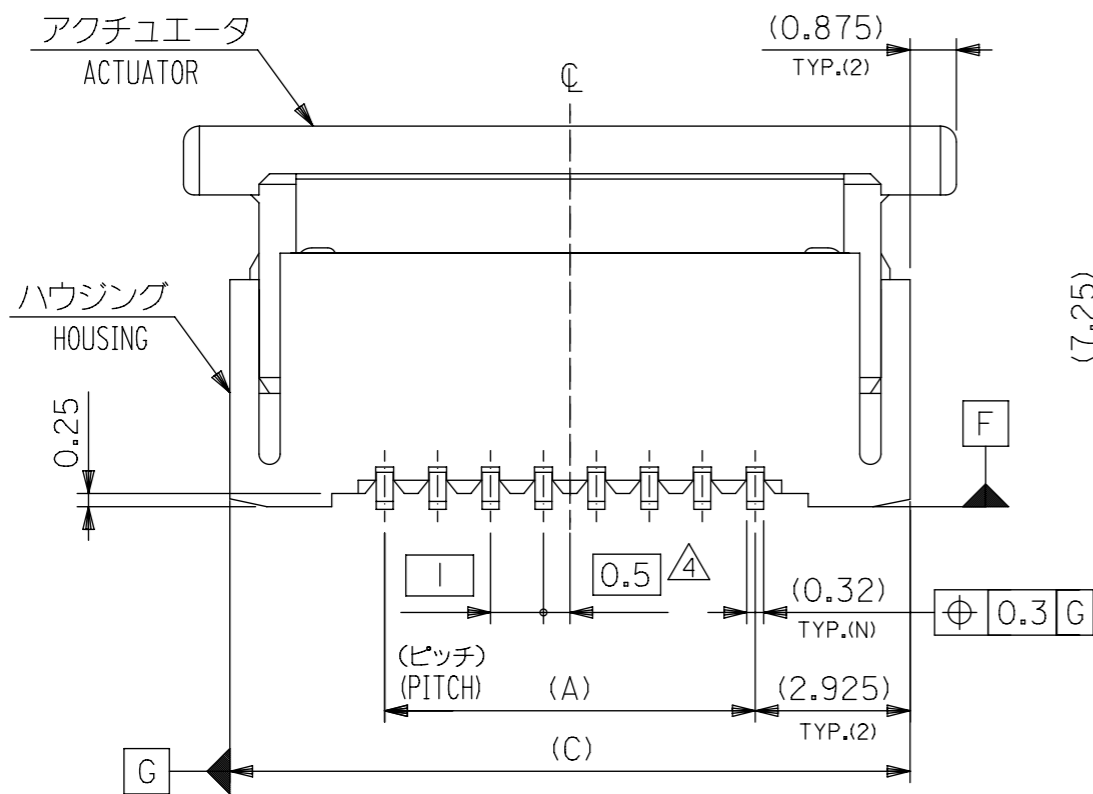
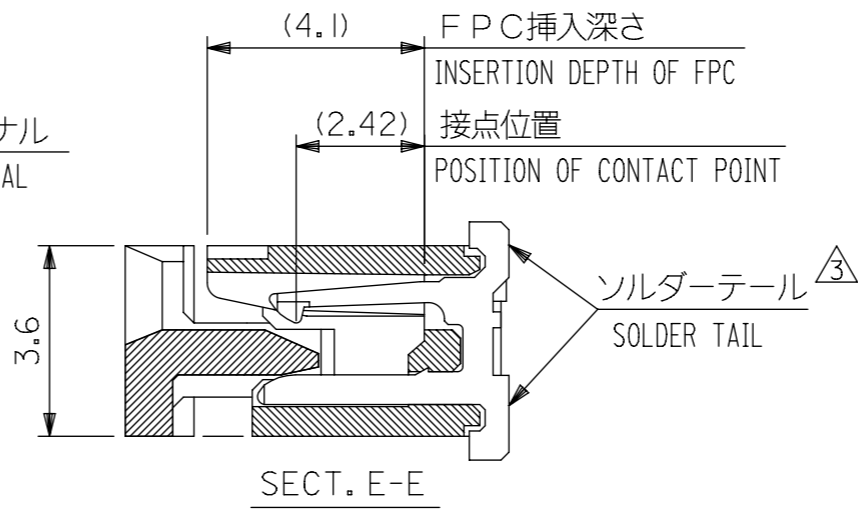
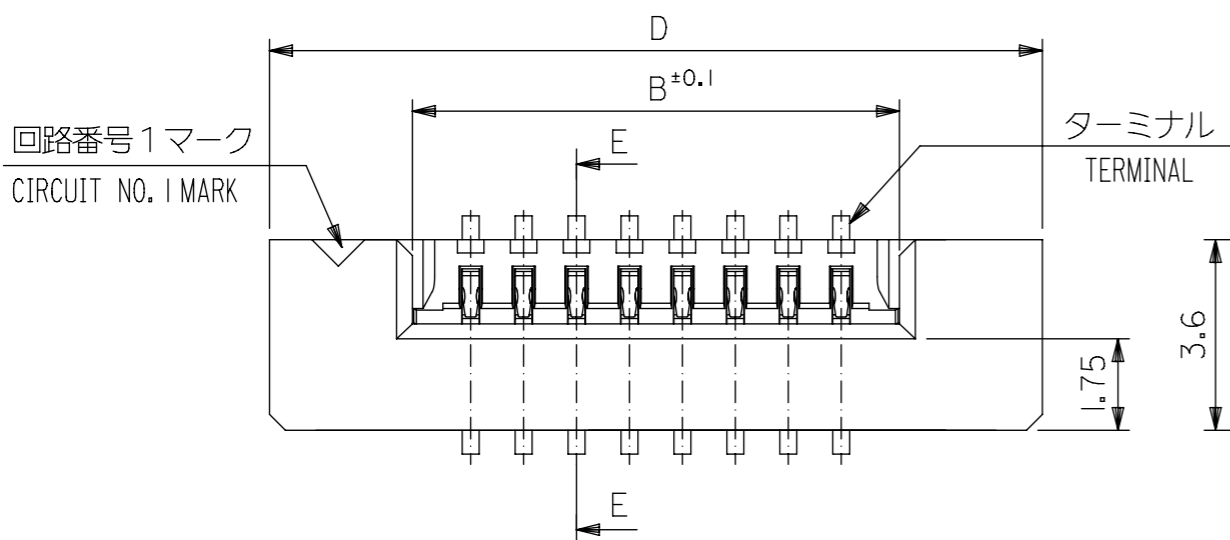


56	61.4	57.4	35.25	31.32	52610-3071	30
			33.25	29.32	52610-2871	28
キャリアテープ幅 CARRIER TAPE WIDTH	D	C	(B)	(A)	MATERIAL NO.	極数 CKT.

52610-**71 MODEL NO.

THIS DRAWING CONTAINS INFORMATION THAT IS PROPRIETARY TO MOLEX ELECTRONIC TECHNOLOGIES, LLC AND SHOULD NOT BE USED WITHOUT WRITTEN PERMISSION		CURRENT REV DESC:		molex			
DIMENSION UNITS	SCALE	EC NO: 719890					
mm	NTS	DRWN: DGONDO 2022/09/01		PRODUCT CUSTOMER DRAWING			
GENERAL TOLERANCES (UNLESS SPECIFIED)		CHK'D: SMARUYAMA 2022/09/05		DOCUMENT NUMBER			
ANGULAR TOL ±		APPR: YNAITO 2022/09/05		SD-52610-038		DOC TYPE	DOC PART
4 PLACES ±		INITIAL REVISION:		PSD		001	D
3 PLACES ±		DRWN: NAIDA 2005/08/08		SHEET NUMBER			
2 PLACES ±		APPR: NUKITA 2005/08/22		5 OF 5			
1 PLACE ±		THIRD ANGLE PROJECTION	DRAWING	SERIES	MATERIAL NUMBER	CUSTOMER	
0 PLACES ±		☉	A3-SIZE	52610	SEE TABLE	GENERAL MARKET	
DRAFT WHERE APPLICABLE MUST REMAIN WITHIN DIMENSIONS							

GENERAL TOLERANCES (UNLESS SPECIFIED)	
10 ^{UNDER}	±0.2
10 ^{OVER} 30 ^{UNDER}	±0.25
30 ^{OVER}	±0.3
ANGULAR	±3°

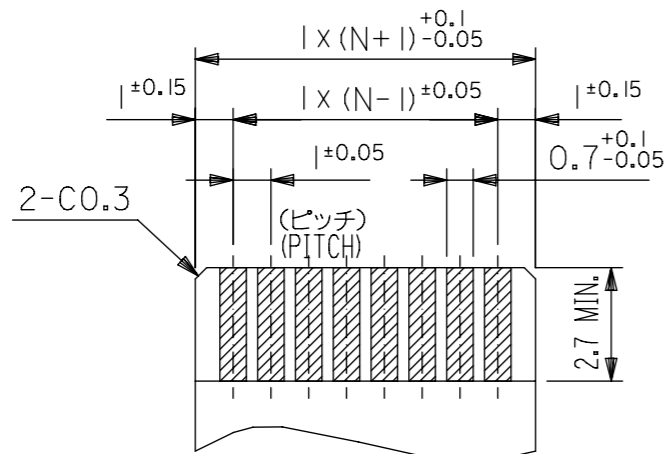


注記 (NOTES):

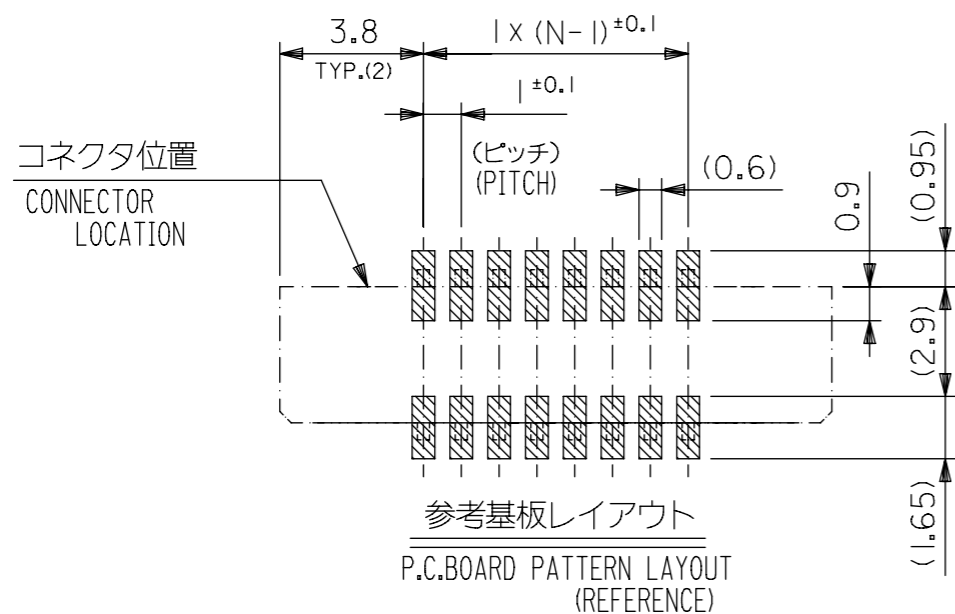
- 材料 (MATERIAL)
 ハウジング (HOUSING): 46NYLON, UL94V-0
 アクチュエータ (ACTUATOR): PPS, UL94V-0
 ターミナル (TERMINAL): リン青銅 (+0.32)
 PHOS-BRO
 錫 (3%±1%) ビスマスメッキ 1.0マイクロメートル以上
 TIN (3%±1%) BISMUTH 1.0 MICROMETER MINIMUM
 ニッケル下地 1.0マイクロメートル以上
 NICKEL (UNDER PLATING) 1.0 MICROMETER MINIMUM
- エンボステープ梱包時は、アクチュエータがロックした状態とする。
 IN THE PACKAGE, ACTUATOR OF PART NO. 52610-**16 SHOULD BE LOCKED.
- ソルダーテール半田付け面のズレ量は、基準面 [F] に対し上方向 0.05 MAX., 下方向 0.15 MAX. とする。
 MISALIGNMENT OF SOLDER TAILS FROM [F] UPPER DIRECTION : 0.05 MAX., LOWER DIRECTION : 0.15 MAX.
- 偶数極に適用。
 APPLY FOR EVEN CIRCUIT.
- 本製品は 52610-**17 の鉛フリー品です

THIS DRAWING CONTAINS INFORMATION THAT IS PROPRIETARY TO MOLEX ELECTRONIC TECHNOLOGIES, LLC AND SHOULD NOT BE USED WITHOUT WRITTEN PERMISSION		CURRENT REV DESC:		molex	
DIMENSION UNITS	SCALE				
mm	NTS			1.0 FPC CONNECTOR Z.I.F. FOR SMT.(ST.) -LEAD FREE-	
GENERAL TOLERANCES (UNLESS SPECIFIED)		GENERAL TOLERANCES (UNLESS SPECIFIED)		PRODUCT CUSTOMER DRAWING	
ANGULAR TOL ± °		ANGULAR TOL ± °		DOCUMENT NUMBER	
4 PLACES ±		4 PLACES ±		SD-52610-041	
3 PLACES ±		3 PLACES ±		DOC TYPE	
2 PLACES ±		2 PLACES ±		PSD	
1 PLACE ±		1 PLACE ±		DOC PART	
0 PLACES ±		0 PLACES ±		001	
DRAFT WHERE APPLICABLE MUST REMAIN WITHIN DIMENSIONS		THIRD ANGLE PROJECTION		REVISION	
		DRAWING		H	
		SERIES		SHEET NUMBER	
		A3-SIZE		1 OF 2	
		52610		MATERIAL NUMBER	
		SEE SHEET-2		CUSTOMER	
		GENERAL MARKET			

GENERAL TOLERANCES (UNLESS SPECIFIED)	
10 ^{UNDER}	±0.2
10 ^{OVER} 30 ^{UNDER}	±0.25
30 ^{OVER}	±0.3
ANGULAR	±3°



適合FPC推奨寸法
 APPLICABLE FPC RECOMMENDED DIM.
 仕上がり厚さ(THICKNESS): 0.3 ±0.05



参考基板レイアウト
 P.C.BOARD PATTERN LAYOUT
 (REFERENCE)

FPCについて:
 打抜き方向は導体側から補強板側を推奨致します。
 補強フィルム材質はポリイミドを推奨致します。
 接着剤は熱硬化接着剤を推奨致します。

ABOUT FPC:
 RECOMMENDED PUNCHER DIRECTION : FROM CONDUCTOR SIDE TO STIFFENER BOARD SIDE.
 RECOMMENDED MATERIAL :
 STIFFENER FILM : POLYIMIDE
 BONDING AGENT : THRMOSSETTING BONDING AGENT

36.6	34.85	31.2	29	52610-3071	30
34.6	32.85	29.2	27	-2871	28
32.6	30.85	27.2	25	-2671	26
31.6	29.85	26.2	24	-2571	25
30.6	28.85	25.2	23	-2471	24
29.6	27.85	24.2	22	-2371	23
28.6	26.85	23.2	21	-2271	22
27.6	25.85	22.2	20	-2171	21
26.6	24.85	21.2	19	-2071	20
25.6	23.85	20.2	18	-1971	19
24.6	22.85	19.2	17	-1871	18
23.6	21.85	18.2	16	-1771	17
22.6	20.85	17.2	15	-1671	16
21.6	19.85	16.2	14	-1571	15
20.6	18.85	15.2	13	-1471	14
19.6	17.85	14.2	12	-1371	13
18.6	16.85	13.2	11	-1271	12
17.6	15.85	12.2	10	-1171	11
16.6	14.85	11.2	9	-1071	10
15.6	13.85	10.2	8	-0971	9
14.6	12.85	9.2	7	-0871	8
13.6	11.85	8.2	6	-0771	7
12.6	10.85	7.2	5	-0671	6
11.6	9.85	6.2	4	52610-0571	5
D	(C)	B	(A)	MATERIAL NO.	CKT.

THIS DRAWING CONTAINS INFORMATION THAT IS PROPRIETARY TO MOLEX ELECTRONIC TECHNOLOGIES, LLC AND SHOULD NOT BE USED WITHOUT WRITTEN PERMISSION

DIMENSION UNITS mm	SCALE NTS	CURRENT REV DESC:		molex		
GENERAL TOLERANCES (UNLESS SPECIFIED)		EC NO: 745355				
ANGULAR TOL ± °	4 PLACES ±	DRWN: RAJMOK 2023/04/06		PRODUCT CUSTOMER DRAWING		
3 PLACES ±	2 PLACES ±	CHK'D: HSHIMOYAMA 2023/04/07		DOCUMENT NUMBER		
1 PLACE ±	0 PLACES ±	APPR: HSHIMOYAMA 2023/04/07		SD-52610-041		
DRAFT WHERE APPLICABLE MUST REMAIN WITHIN DIMENSIONS		INITIAL REVISION:		DOC TYPE	DOC PART	REVISION
THIRD ANGLE PROJECTION		DRWN: MNABEI 2006/04/17		PSD	001	H
DRAWING		APPR: NUKITA 2006/04/20		MATERIAL NUMBER	CUSTOMER	SHEET NUMBER
A3-SIZE		SERIES		SEE TABLE	GENERAL MARKET	2 OF 2
52610						

GENERAL TOLERANCES (UNLESS SPECIFIED)	
10 ^{UNDER}	±0.2
10 ^{OVER} 30 ^{UNDER}	±0.25
30 ^{OVER}	±0.3
ANGULAR	±3 °