

DO NOT SCALE DRAWING
DIMENSION IN METRIC

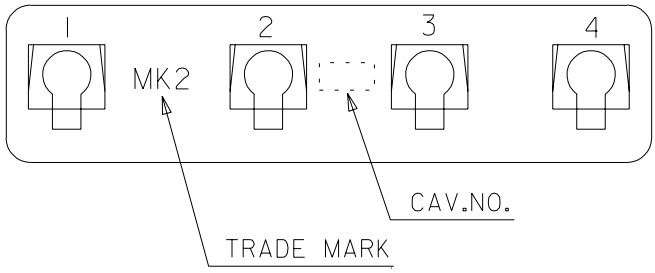
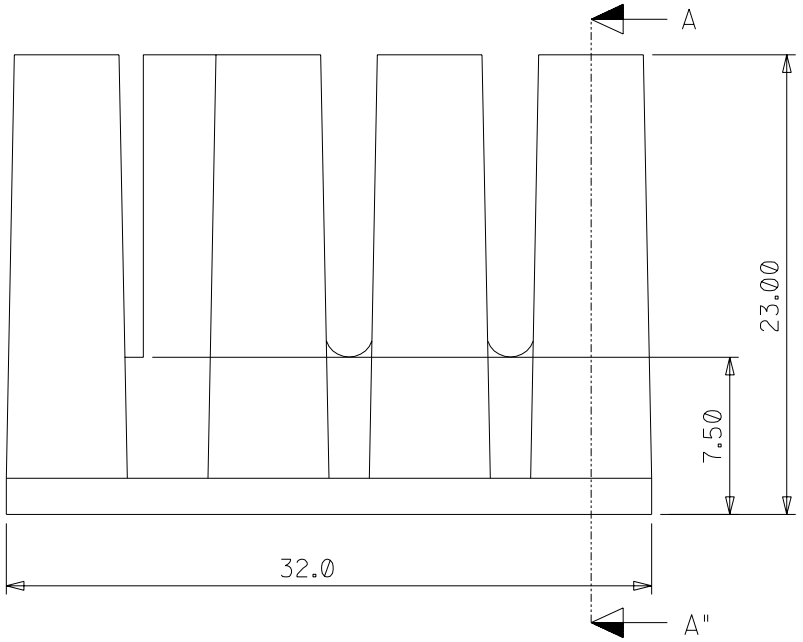
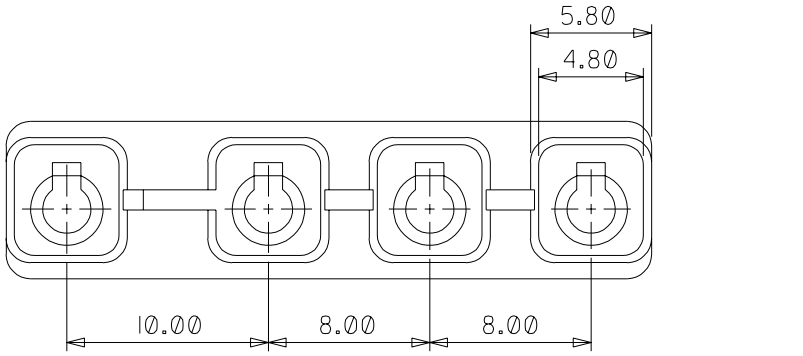
SIMILAR ITEM

PROJECT NO.

C

B

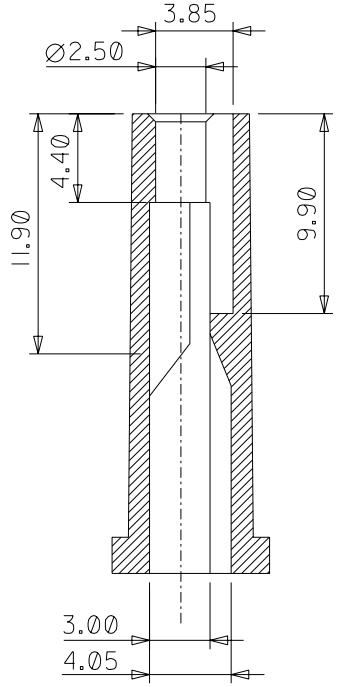
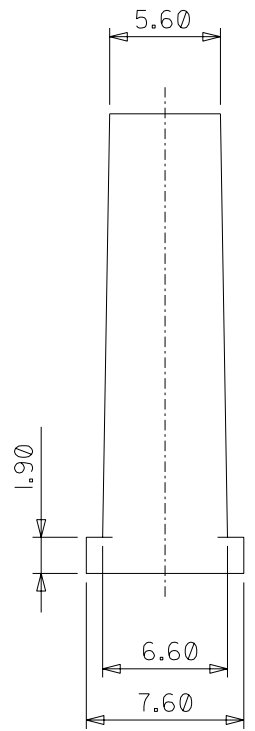
DWG. NO.
SD-35183-041



MATERIAL NO.	ENG NO.	MATERIAL	COLOR
351830411	35183-0411	NORYL,UL94V-0	BLACK
351830417	35183-0417	NORYL,UL94V-I	GRAY

NOTES

- APPLICABLE TERMINALS: 35716-0110, 35716-0310, 35716-0190, 35716-0193
- MATED WAFER ASSEMBLY: 35309-0410



SECTION A-A''

REVISED	EC NO. KOR2002-0151	QUALITY SYMBOLS	MAJOR	GENERAL TOLERANCES: (UNLESS SPECIFIED)	SCALE	DESIGN UNITS	THIRD ANGLE PROJECTION	DIMENSIONS: <input type="checkbox"/> mm <input type="checkbox"/> INCH <input checked="" type="checkbox"/> mm ONLY	SHT	REV					
	DRWN: C.B.CHIN 02/06/07		MINOR	mm	INCH	4:1					<input checked="" type="checkbox"/> mm <input type="checkbox"/> INCH				
C2	CHK: W.Y.YNAG	DESCRIPTION	CRITICAL	4 PLACES	DRAWN BY & DATE W.Y.YANG 95/01/17	MATERIAL NO. SEE CHART	TITLE: 2.36 HOUSING-4P	MATERIAL NO. SD-35183-041	SHEET NO. 10F1	REVISE ON CAD ONLY					
	APPR: C.W.LEE		3 PLACES	2 PLACES							CHECKED BY & DATE B.K.CHOI 95/01/17				
REV			1 PLACE	ANGULAR: ± °							APPROVED BY & DATE C.W.LEE 95/01/17	CAD FILENAME S1830417.DGN			

DRAFT WHERE APPLICABLE MUST REMAIN WITHIN DIMENSIONS

THIS DRAWING CONTAINS INFORMATION THAT IS PROPRIETARY TO MOLEX INCORPORATED AND SHOULD NOT BE USED WITHOUT WRITTEN PERMISSION.

MOLEX INCORPORATED