

THIS DRAWING IS UNPUBLISHED.

RELEASED FOR PUBLICATION

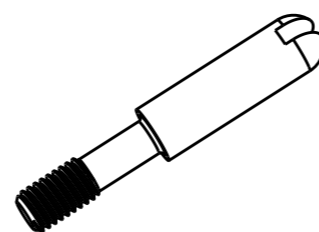
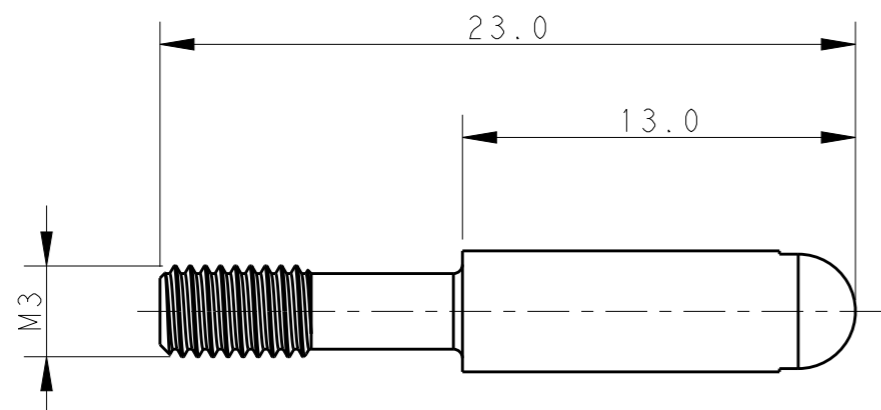
20

© COPYRIGHT 20 BY -

ALL RIGHTS RESERVED.

REVISIONS

P	LTR	DESCRIPTION	DATE	DWN	APVD
	A	INITIAL	19JUN2015	DW	CW



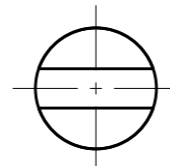
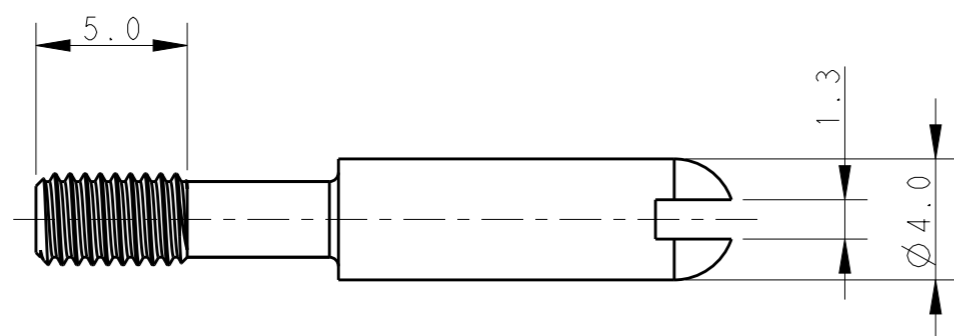
SCALE 2:1

NOTES:

- 1. TECHNICAL CHARACTERISTICS:  
CODING PIN MATERIAL: Fe ALLOY  
SURFACE: NICKEL PLATING

注释:

- 1. 技术参数:  
编码销材料: 易削铁棒  
表面处理: 镀镍



CODING-PIN-M3-TM	T0931000423-000
DESCRIPTION	PART NUMBER



TE Connectivity

NAME  
CODING-PIN-M3-TM

THIS DRAWING IS A CONTROLLED DOCUMENT.

DWN 19JUN2015  
DAVID WANG

CHK 19JUN2015  
CHRIS WANG

APVD 19JUN2015  
XU XIANG

PRODUCT SPEC

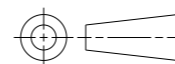
APPLICATION SPEC

WEIGHT

Customer Drawing

DIMENSIONS:

mm



TOLERANCES UNLESS OTHERWISE SPECIFIED:

0 PLC	±-
1 PLC	±-
2 PLC	±-
3 PLC	±-
4 PLC	±-
ANGLES	±-

MATERIAL

-

FINISH

-

SIZE	CAGE CODE	DRAWING NO	RESTRICTED TO
------	-----------	------------	---------------

A3	00779	T0931000423000	-
----	-------	----------------	---

SCALE	SHEET	OF	REV
4:1	1	1	A