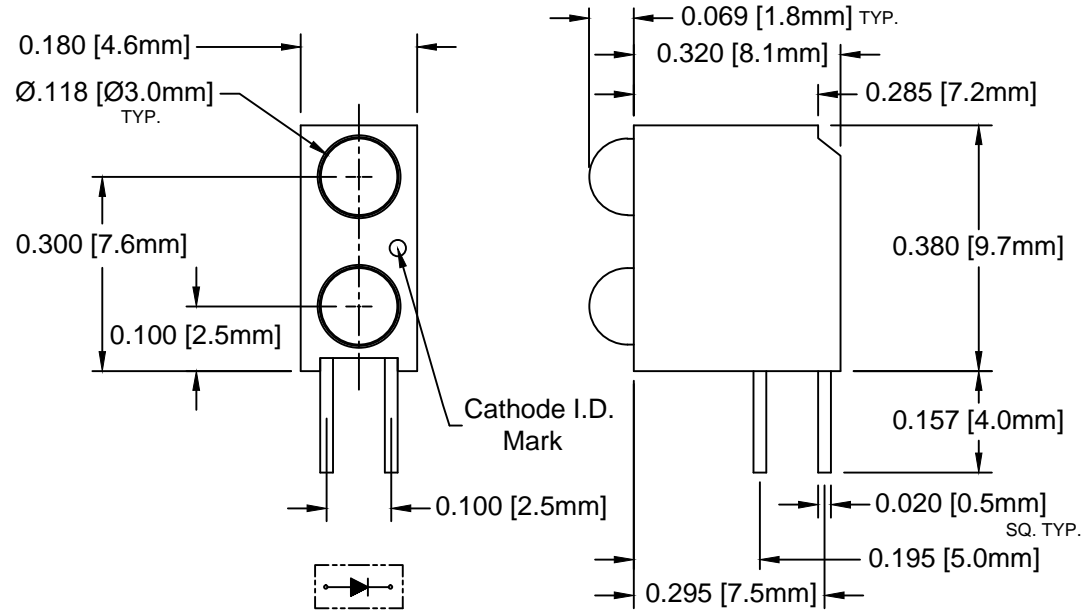


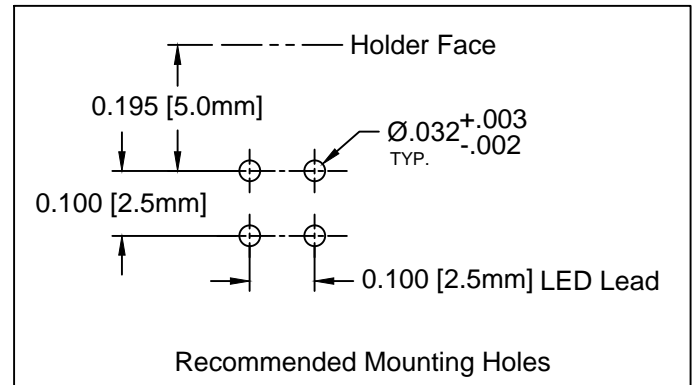
REV.	DESCRIPTION	DATE	APPROVED
E	Removed H201CBCXX Specifications	01/25/08	M. C.
F	Updated Note and H201CAD Specs	04/28/08	M. C.
G	Updated Note and H201CRD5V Specs	05/20/08	M. C.
H	Added H201CGC Specs	11/18/08	T. Y.
J	Engineering Update w/o Changes	06/21/16	J. C.
K	Updated per EOL Notice	11/18/19	A. V.
L	ECO-1073 Removed BOM	10/19/20	A. V.



Note: P/N Designation



H201CY X D X X  
 Color of top LED - "L" Low Current LED  
 -Use "X" if blank - " " if Standard LED  
 Color of bottom LED  
 -Use "X" if blank  
 - If top and bottom are same LED, i.e. H201C\_YD



**CUSTOMER USE DRAWING**

### ABSOLUTE MAXIMUM RATINGS (Ta=25° C)

REVERSE VOLTAGE \_\_\_\_\_ 5V  
 REVERSE CURRENT \_\_\_\_\_ 100uA  
 OPERATING TEMPERATURE RANGE \_\_\_\_\_ -25° C - 85° C  
 STORAGE TEMPERATURE \_\_\_\_\_ -30° C - 100° C  
 LEAD SOLDERING TEMPERATURE(1/16" FROM BODY) \_\_\_\_\_ 260° C FOR 5 SECONDS

STANDARD TOLERANCE (UNLESS OTHERWISE SPECIFIED)		 4 THOMAS, IRVINE, CA. 92618 TEL: (949) 951-8808 FAX: (949) 951-3974	
DECIMALS	ANGULAR		
.X ±.1	X° ±1°		
.XX ±.02		 TITLE: T-1 (3MM) 90° BI-LEVEL LED ASSY	
.XXX ±.010			
DESIGNED: T. Yin	DATE: 03/05/04	DRAWING NO: H201CXX	REVISION: L
REVISED: V. Chavez	DATE: 10/19/20	SHEET SIZE: A	CAGE CODE: 32559
CHECKED: A. Valdez	DATE: 10/19/20	SCALE: NONE	SHEET # 1 OF 2
CAD GENERATED DOCUMENT, DO NOT MEASURE DRAWING			

REV.	DESCRIPTION	DATE	APPROVED
	SEE SHEET #1		

LED Assy. No.	Peak Wave Length $\lambda_p$ (nm)	Emitted Color	Lens Appearance	Electro-Optical Data				Viewing Angle 2 Y 1/2 (Deg)	LED P/N
				If (mA)	Vf (V)		Iv (mcd)		
				TYP	TYP	MAX	TYP		
<b>STANDARD</b>				<b>Data @ 20mA</b>					
H201CBWD	430	BLUE	DIFFUSED	20	4.0	4.5	10	40	3BWD-S
H201CGD	568	GREEN	DIFFUSED	20	2.1	2.8	25	40	3GD-S
H201CGC	568	GREEN	WATER CLEAR	20	2.1	2.8	40	30	3GC-S
H201CYD	590	YELLOW	DIFFUSED	20	2.0	2.8	20	40	3YD-S
H201CHD	625	HE RED	DIFFUSED	20	2.0	2.8	30	40	3HD-S
H201CRD	700	RED	DIFFUSED	20	2.1	2.8	2	40	3RD-S
H201CSR	645	SUPER RED	DIFFUSED	20	1.7	2.4	40	40	3SRD-S
H201CAD	605	AMBER	DIFFUSED	20	2	2.8	25	40	3AD-S
<b>LOW CURRENT</b>				<b>Data @ 2mA</b>					
H201CGDL	568	GREEN	DIFFUSED	2	2.1	2.6	2	40	3GDL-S
H201CYDL	590	YELLOW	DIFFUSED	2	2.0	2.6	2	40	3YDL-S
H201CHDL	625	HE RED	DIFFUSED	2	2.0	2.6	3	40	3HDL-S
H201CRDL	700	RED	DIFFUSED	2	2.1	2.6	1	40	3RDL-S

**CUSTOMER USE DRAWING**

		<b>BIVAR<sup>®</sup></b>	
<b>CAGE CODE</b>	<b>32559</b>	<b>DRAWING NO:</b>	H201CXX
<b>SHEET SIZE</b>	<b>A</b>	<b>REVISION:</b>	L
		<b>SCALE:</b>	NONE
		<b>SHEET #</b>	2 OF 2
<small>CAD GENERATED DOCUMENT, DO NOT MEASURE DRAWING</small>			