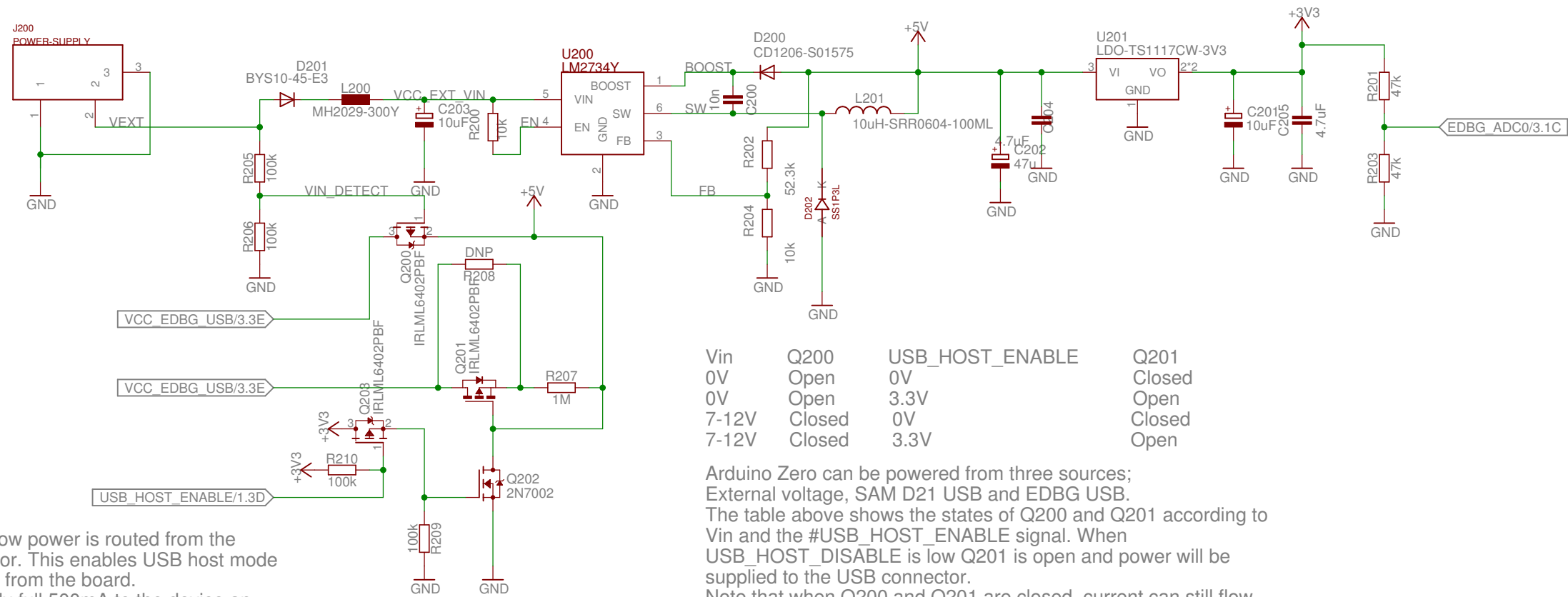


Author:
 Zero_V1.0
 03/08/16 09:30
 Sheet: 1/3



Vin	Q200	USB_HOST_ENABLE	Q201
0V	Open	0V	Closed
0V	Open	3.3V	Open
7-12V	Closed	0V	Closed
7-12V	Closed	3.3V	Open

When USB_HOST_ENABLE is set low power is routed from the board to the SAM D21 USB connector. This enables USB host mode applications that supplies the device from the board. Note that in order to be able to supply full 500mA to the device an external power supply has to be used.

Arduino Zero can be powered from three sources; External voltage, SAM D21 USB and EDBG USB. The table above shows the states of Q200 and Q201 according to Vin and the #USB_HOST_ENABLE signal. When USB_HOST_DISABLE is low Q201 is open and power will be supplied to the USB connector. Note that when Q200 and Q201 are closed, current can still flow from USB ports through the internal diode in the FETs to power the Arduino Zero.

