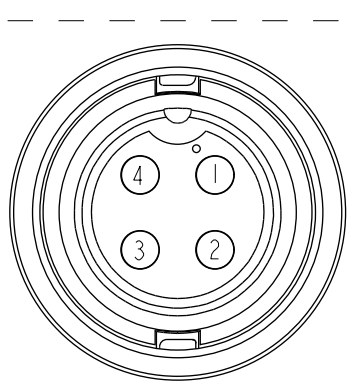
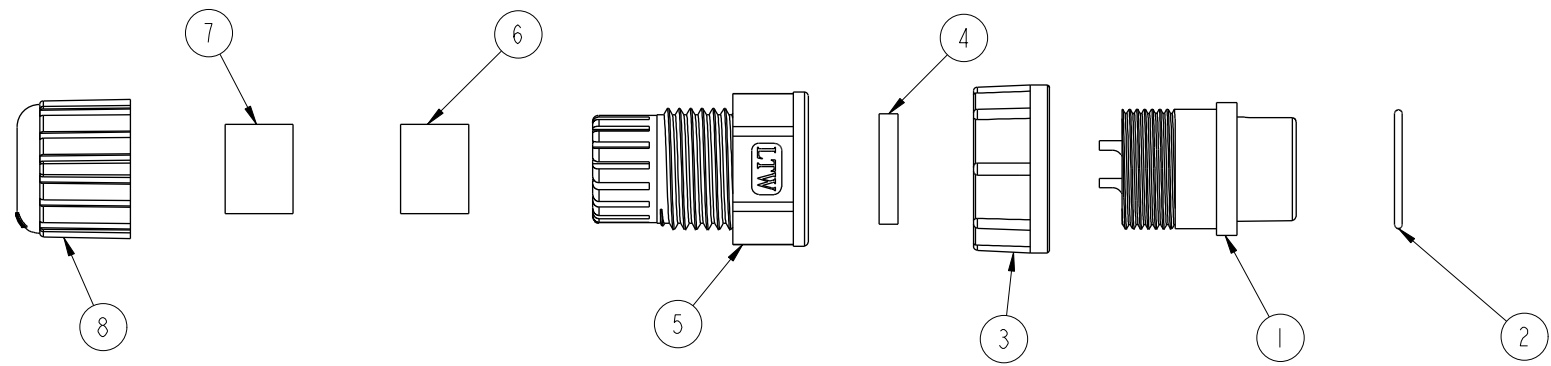


THIS DOCUMENT IS SUBJECT TO CHANGE WITHOUT NOTICE. IT IS CONFIDENTIAL AND A PROPERTY OF AMPHENOL LTW. DISCLOSURE TO THIRD PARTY HAS TO BE AUTHORIZED BY AMPHENOL LTW.

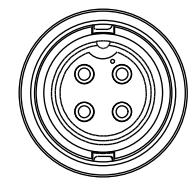
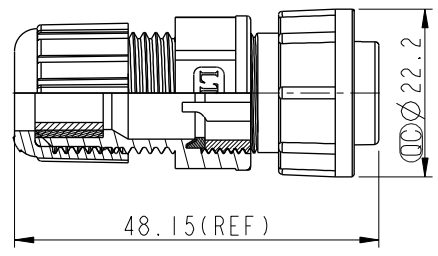
REV.	ECN NO.	DATE	SIGN	DESCRIPTION
A	Initial Release	2011/09/14	Tony	Change Rev.01 to Rev.A

ALTW
CONFIDENTIAL
 2012-04-02
R&D DEPT.

ALTW
DCC. DEPT.
CONFIDENTIAL
 2012-04-24
ISSUED



Pin Assignments
Front View



- Note:
- * \varnothing Important Dimension T Check.
 - * Waterproof Rate: IP67
 - * Housing: Nylon+GF, Black
 - * Male Pin: Copper Alloy, Gold Plated
 - * O-Ring: EPDM, Black.
 - * Lock Nut: Nylon+GF, Black
 - * Gasket: EPDM, Black.
 - * Clamp Ring: Nylon, Black
 - * Sealing Nut: Nylon, Black
 - * Seals B1 for Cable OD: $\varnothing 7.6\text{mm} \sim \varnothing 9.6\text{mm}$
 - * Seals B2 for Cable OD: $\varnothing 4.0\text{mm} \sim \varnothing 7.6\text{mm}$
 - * One Set Unassembled in one PE Bag

UNIT:mm		
TOLERANCE	.X ± 0.25	.XX ± 0.1
.XXX	± 0.05	ANGLES $\pm 1^\circ$

TITLE Middle, Assy Lock 4Pin F Conn M Pin			
SCALE 1:1	SIZE A4	SHEET 1 OF 1	
REV. A	WC-REV. A.3	\varnothing : Inspection item	

Amphenol LTW
 安費諾亮泰企業股份有限公司

ITEM NO. CB-04BFMA-LL7001	DRAWN BY SamChang	DATE 2012-04-03
DWG NO. CB-04BFMA-LL7001	CHECKED BY Jeffrey	DATE 2012-04-24
CUSTOMER ALTW	APPROVED BY Lion	DATE 2012-04-24