

## SUMMARY

### # Wires

Low voltage 16



Image is for illustrative purpose only

Series 2P  
Termination type Male crimp  
IP rating 50  
AWG wire size 30.00 - 22.00  
Cable Ø 3.20 - 5.20 mm  
Status active  
Matching parts [CKB.M16.NYMN](#)

### Download

[Request a quote](#)

[Eplan](#)

[Catalog](#)

## TECHNICAL DETAILS

### Mechanics

Shell Style/Model CA\*: Straight plug with cable collet  
Keying 3 keys (alpha=0, gamma=60; Plug: male contacts; Receptacle: female contacts)  
Housing Material PSU (Polysulfone), black  
Weight 10.16 g

### Performance

Configuration 2P.M16 : 16 Low V.  
Insulator Y: PEEK for crimp contacts  
Rated Current 6 Amps

### Specifications

Test voltage (kV rms) Contact-contact: 1.5  
Air clearance min.: 0.8 mm  
Creepage distance min.: 0.8 mm

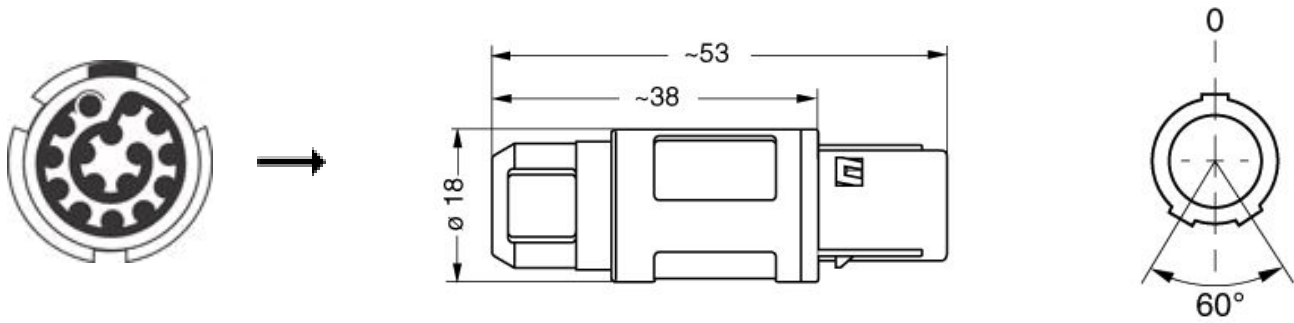
### Others

Endurance (Shell): >1000 mating cycles  
F ret (min): 150 N  
F ret (max): 250 N

LEMO products and services are provided "as is". LEMO makes no warranties or representations with regard to LEMO product & services or use of them, express, implied or statutory, including for accuracy, completeness, or security. The user is fully responsible for his products and applications using LEMO components.

Steam sterilization: 20 times (with potting on rear connection)

## DRAWINGS



### Dimensions

	A	L
mm.	18	53
in.	0,71	2,09

## RECOMMENDED BY LEMO

### Tools

Crimp Tool:	<a href="#">DPC.91.701.V</a>
Crimp settings:	AWG/Selector = 22-24-26/6-5-5
Positionner:	<a href="#">DCE.91.072.BVC</a>
Extractor:	<a href="#">DCF.91.070.2LT</a>
Replacement contact:	FGG.2B.555.ZZC

### Cables

CMN.16.T30.047QGZE	TPR (medical)	Grey	
16050	PVC	Black	

LEMO products and services are provided "as is". LEMO makes no warranties or representations with regard to LEMO product & services or use of them, express, implied or statutory, including for accuracy, completeness, or security. The user is fully responsible for his products and applications using LEMO components.