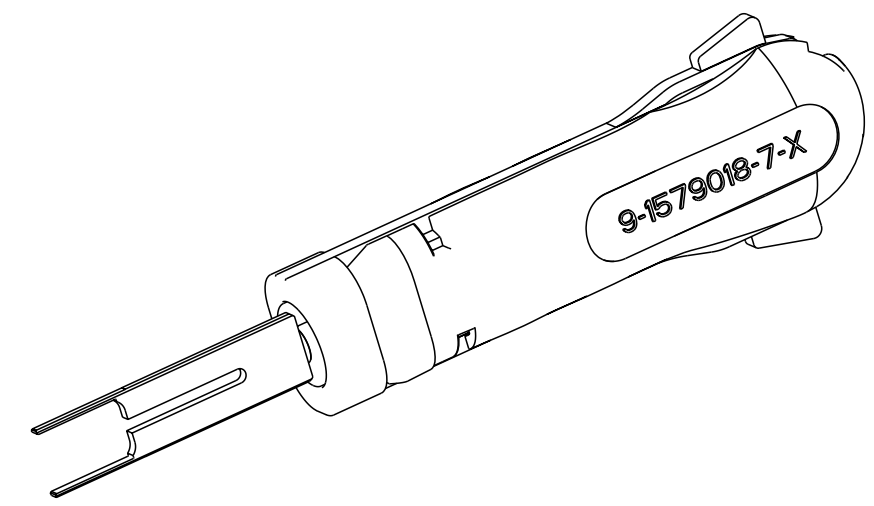
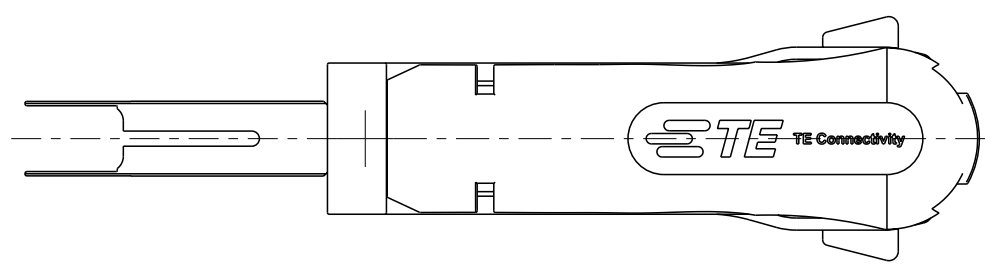
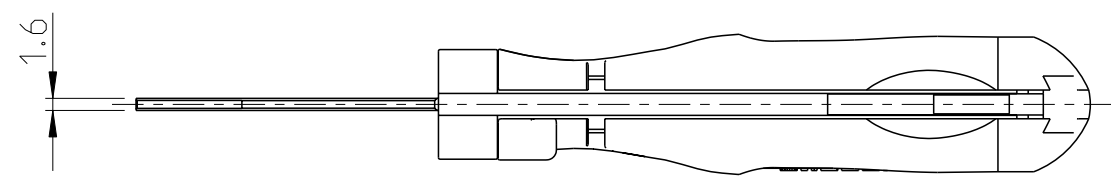
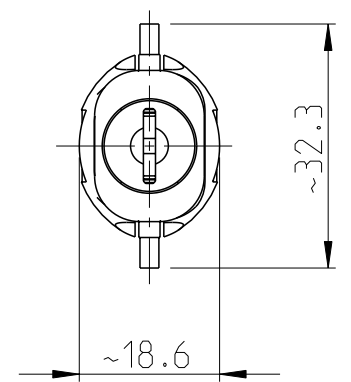
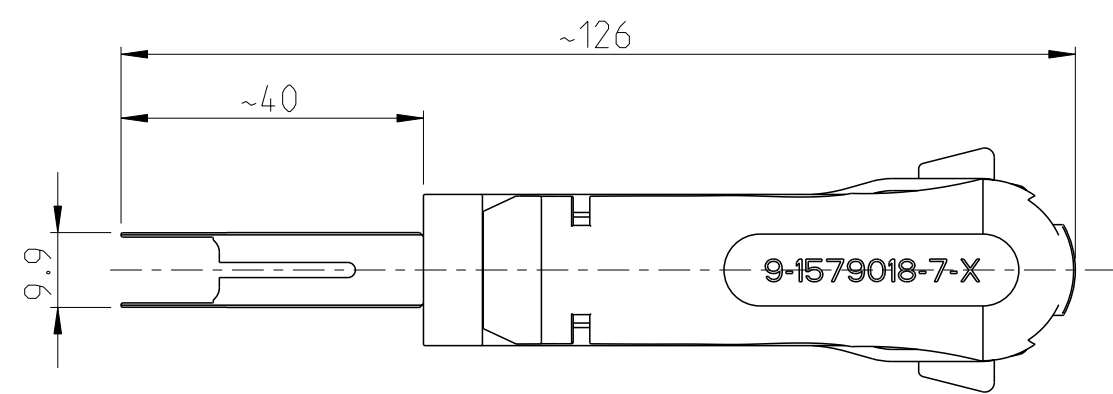


THIS DRAWING IS UNPUBLISHED. RELEASED FOR PUBLICATION 2012

© COPYRIGHT 2012 Tyco Electronics AMP GmbH ALL RIGHTS RESERVED.

LOC	DIST	REVISIONS					
		P	LTR	DESCRIPTION	DATE	DWN	APVD
A1	-		B	Initial release	19SEP2011	RG	GS
			C	ECR-21-007140	03AUG2021	BM	MP



Application range / Anwendungsbereich
 Extraction of male shell 1103426-1 out of male insert 1103428-1.

THIS DRAWING IS A CONTROLLED DOCUMENT.		DWN R. Germann 19SEP2011														
DIMENSIONS: mm		CHK G. Stegmayer 19SEP2011														
TOLERANCES UNLESS OTHERWISE SPECIFIED:		APVD -	NAME EXTRACTION TOOL													
<table border="0"> <tr><td>0 PLC</td><td>±</td></tr> <tr><td>1 PLC</td><td>±</td></tr> <tr><td>2 PLC</td><td>±</td></tr> <tr><td>3 PLC</td><td>±</td></tr> <tr><td>4 PLC</td><td>±</td></tr> <tr><td>ANGLES</td><td>±°</td></tr> </table>		0 PLC	±	1 PLC	±	2 PLC	±	3 PLC	±	4 PLC	±	ANGLES	±°	PRODUCT SPEC -	SIZE A3	
0 PLC	±															
1 PLC	±															
2 PLC	±															
3 PLC	±															
4 PLC	±															
ANGLES	±°															
MATERIAL -		APPLICATION SPEC 114-74103	CAGE CODE 00779	DRAWING NO C-9-1579018-7												
FINISH -		WEIGHT 31g	RESTRICTED TO -													
CUSTOMER DRAWING			SCALE 1:1	SHEET 1 OF 1												

printed on 16 Aug 2021 11:10 (Mittelleurop from EG002527)