

WN 717.10

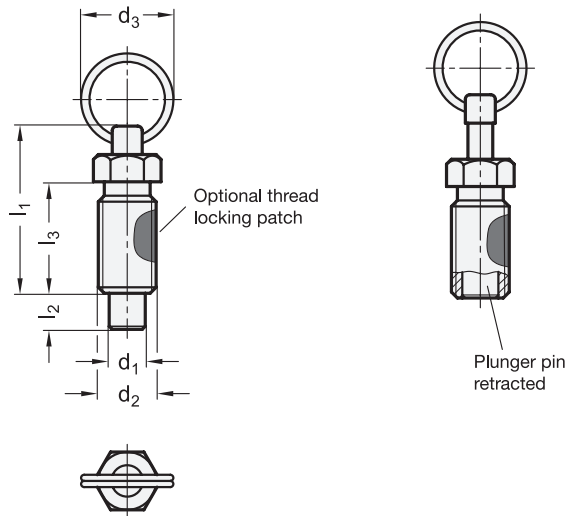
Steel / Stainless Steel

Stubby Hand Retractable Spring Plungers

Non Lock-Out, with Pull Ring



JW WINCO
A Ganter Company



SS Stainless Steel

3 Type

A Without thread locking patch

Inch table

1 d ₁	2 d ₂ Thread	d ₃	l ₁	l ₂	l ₃	Spring load ≈	
						Initial	End
.156 4.0	1/4 x 20	.87 22.1	.64 16.3	.17 4.3	.31 7.9	.50 lbf 2.22 N	2.00 lbf 8.90 N
.250 6.4	3/8 x 16	.87 22.1	.83 21.1	.27 6.9	.44 11.2	.75 lbf 3.34 N	3.00 lbf 13.34 N
.312 7.9	1/2 x 13	1.00 25.4	1.08 27.4	.34 8.6	.56 14.2	1.00 lbf 4.45 N	4.00 lbf 17.79 N
.375 9.5	5/8 x 11	1.20 30.5	1.35 34.3	.42 10.7	.69 17.5	1.12 lbf 5.00 N	5.00 lbf 22.24 N

Dimensions in: inches - millimeters

Specification

- Threaded body
12L14 steel, zinc plated **ST**
- Plunger pin
Case-hardened steel, zinc plated
- Pull ring
Spring steel, zinc plated
- Threaded body / plunger pin / pull ring
Stainless steel **NI**
European Standard No. 1.4305 (AISI 303)
- RoHS compliant

Information

WN 717.10 stubby hand retractable spring plungers are ideal for indexing / locating pin applications with limited space.

see also...

- *List of Indexing Plunger Types*

On request

- Thread locking patch

How to order

WN 717.10-0.312-1/2X13-A-ST

- | | |
|---|-----------------------------|
| 1 | Pin diameter d ₁ |
| 2 | Thread d ₂ |
| 3 | Type |
| 4 | Material |