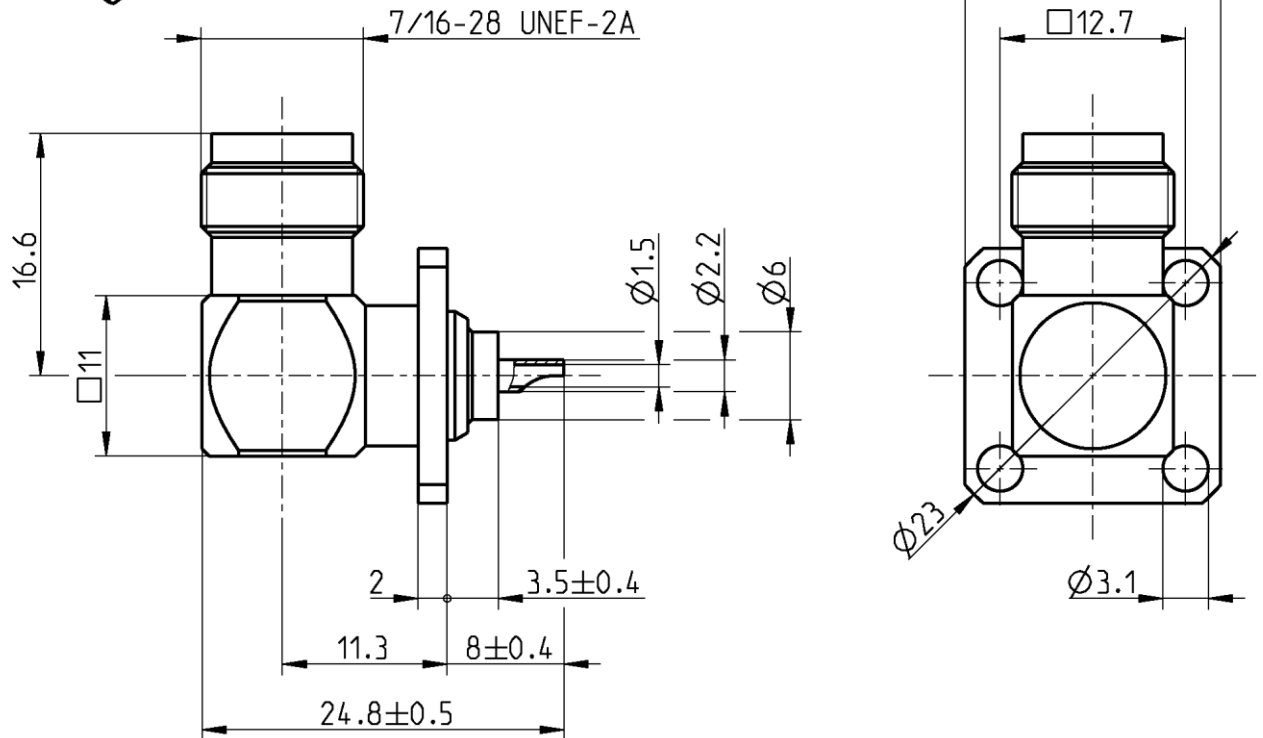
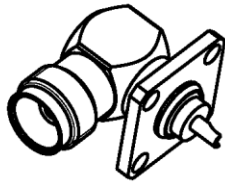


TNC 50 Ω

Right Angle Jack
Solder End

56K201-200N5



All dimensions are in mm; tolerances according to ISO 2768 m-H

Interface

According to IEC 60169-17, MIL-PRF-39012, DIN EN 122200

Documents

Assembly instruction B 6

Material and plating

Connector parts

Center contact	CuBe
Outer contact	Brass
Body	Brass
Dielectric	PTFE

Plating

AuroDur®, gold plated
Flash white bronze over silver(e.g. Optargen®)
Flash white bronze over silver(e.g. Optargen®)

Dieses Dokument ist urheberrechtlich geschützt • This document is protected by copyright • Rosenberger Hochfrequenztechnik GmbH & Co. KG

RFB00035/12.20/6.4

TNC 50 Ω

Right Angle Jack
Solder End

56K201-200N5

Electrical data

Impedance 50 Ω
 Frequency DC to 10 GHz
 Return loss ≥ 28 dB, DC to 1 GHz
 ≥ 22 dB, 1 to 2 GHz
 ≥ 20 dB, 2 to 4 GHz
 Insertion loss ≤ 0.05 dB, DC to 4 GHz
 Insulation resistance ≥ 5 x10³ MΩ
 Center contact resistance ≤ 1.5 mΩ
 Outer contact resistance ≤ 1 mΩ
 Test voltage 1500 V rms
 Working voltage 500 V rms
 Power handling (at 20 °C, sea level, VSWR 1.0) ≤ 80 W @ 2 GHz

-- Interface only --

Mechanical data

Mating cycles ≥ 500
 Center contact captivation: axial ≥ 15 N
 Coupling test torque ≤ 1.7 Nm
 Recommended torque 0.46 Nm to 0.69 Nm

Environmental data

Temperature range -65 °C to +165 °C
 Thermal shock MIL-STD-202, Method 107, Condition B
 Corrosion MIL-STD-202, Method 101, Condition B
 Vibration MIL-STD-202, Method 204, Condition B
 Shock MIL-STD-202, Method 213, Condition G
 Moisture resistance MIL-STD-202, Method 106
 RoHS compliant

Tooling

N/A

Suitable cables

N/A

Weight

Weight 17.3 g/pce

While the information has been carefully compiled to the best of our knowledge, nothing is intended as representation or warranty on our part and no statement herein shall be construed as recommendation to infringe existing patents. In the effort to improve our products, we reserve the right to make changes judged to be necessary.

For the installation of the electrotechnical equipment, particular electrotechnical expertise is required.



Draft	Date	Approved	Date	Rev.	Engineering change number	Name	Date
Inge Mühlauer	06.09.04	Chr. Janßen	28.01.21	e00	20-1927	S. Huber-Siegl	28.01.21

Rosenberger Hochfrequenztechnik GmbH & Co. KG
 P.O.Box 1260 D-84526 Tittmoning Germany
www.rosenberger.com

Tel. : +49 8684 18-0
 Email : info@rosenberger.com

Page
 2 / 2