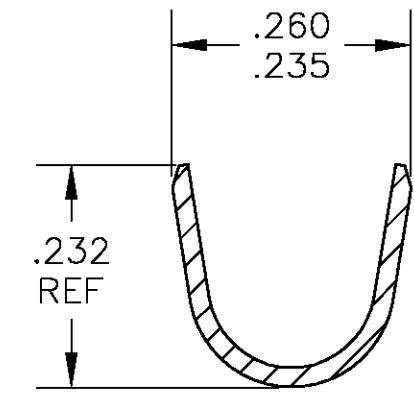
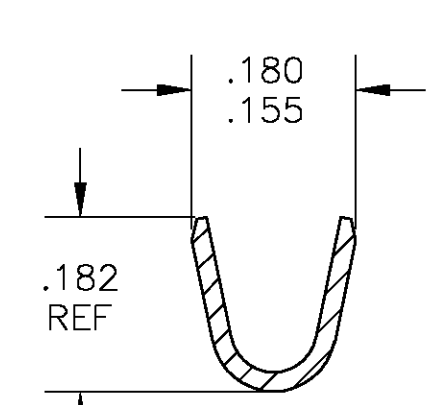
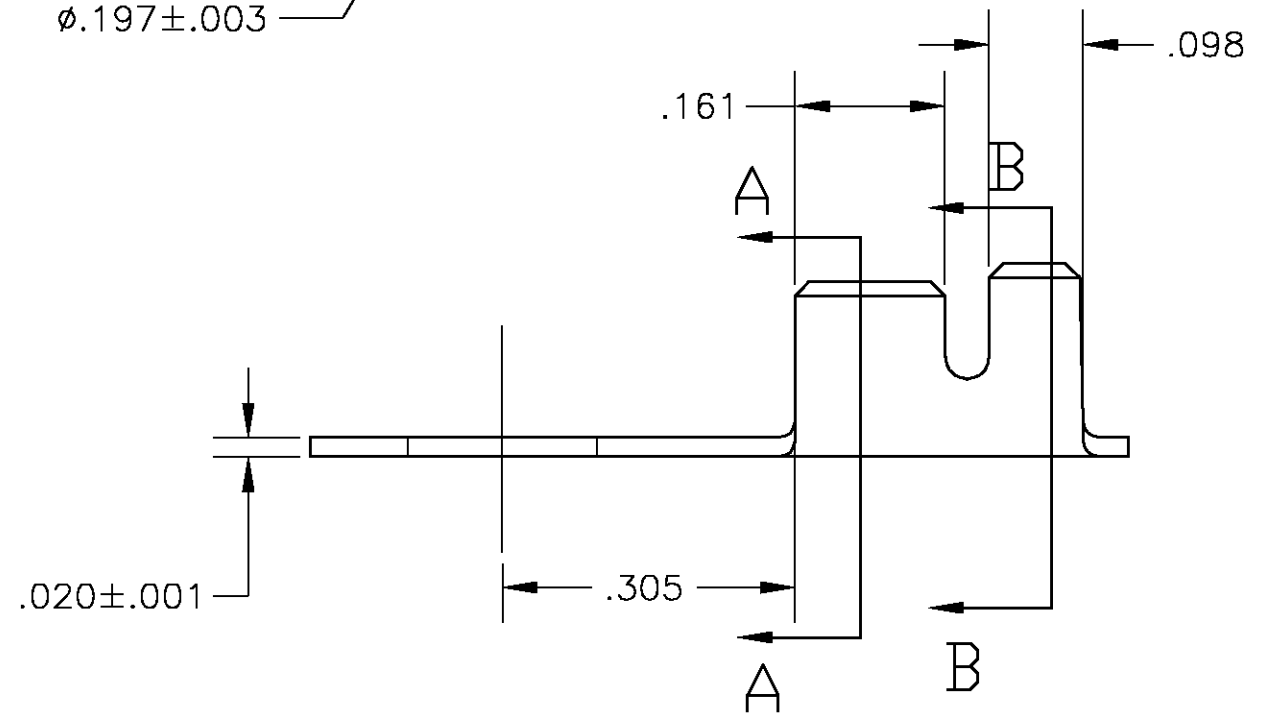
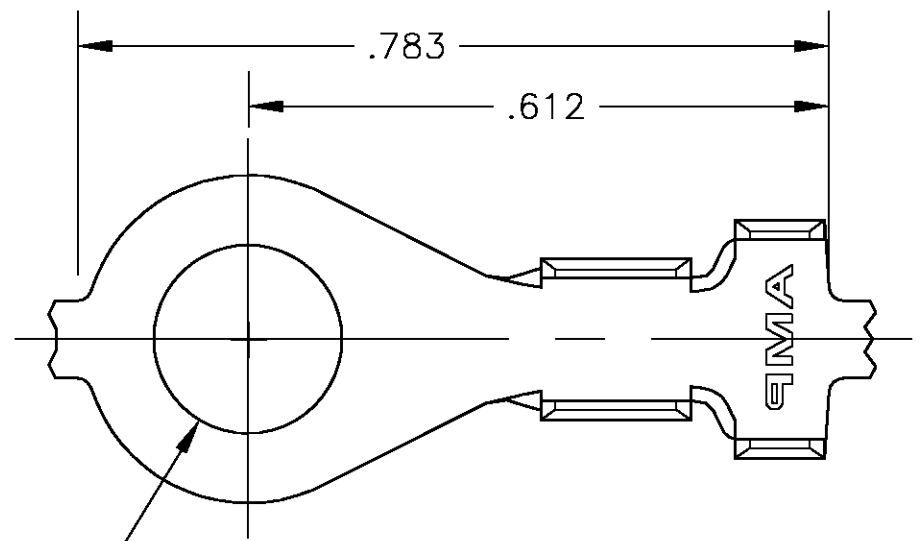


THIS DRAWING IS UNPUBLISHED. RELEASED FOR PUBLICATION
 © COPYRIGHT BY TYCO ELECTRONICS CORPORATION. ALL RIGHTS RESERVED.

LOC	DIST	REVISIONS					
		P	LTR	DESCRIPTION	DATE	DWN	APVD
AF	50		F	REV PER 0G3A-0844-04	26OCT04	JR	DD

- 1 CONTINUOUS STRIP ON REELS
- 2 WIRE SIZE IS #18-#14 AWG
- 3 INSULATION RANGE IS .120-.175 DIA
- △4 REEL WITH INTERLEAVING PAPER
- △5 PRELIMINARY - NOT FOR PRODUCTION



SECTION A-A

SECTION B-B

UNPLATED	NICKEL-SILVER	△5 350199-3
----------	---------------	-------------