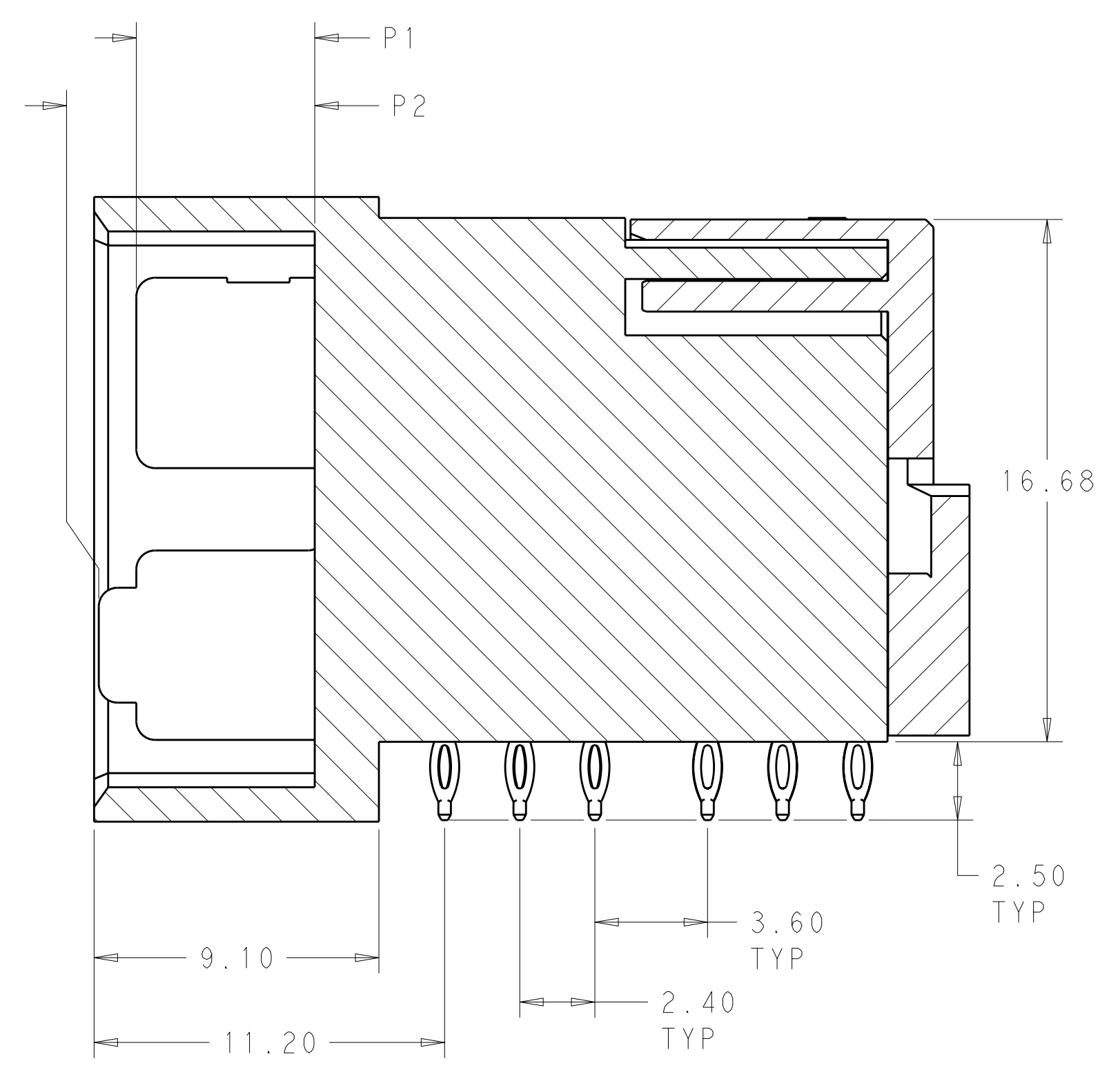
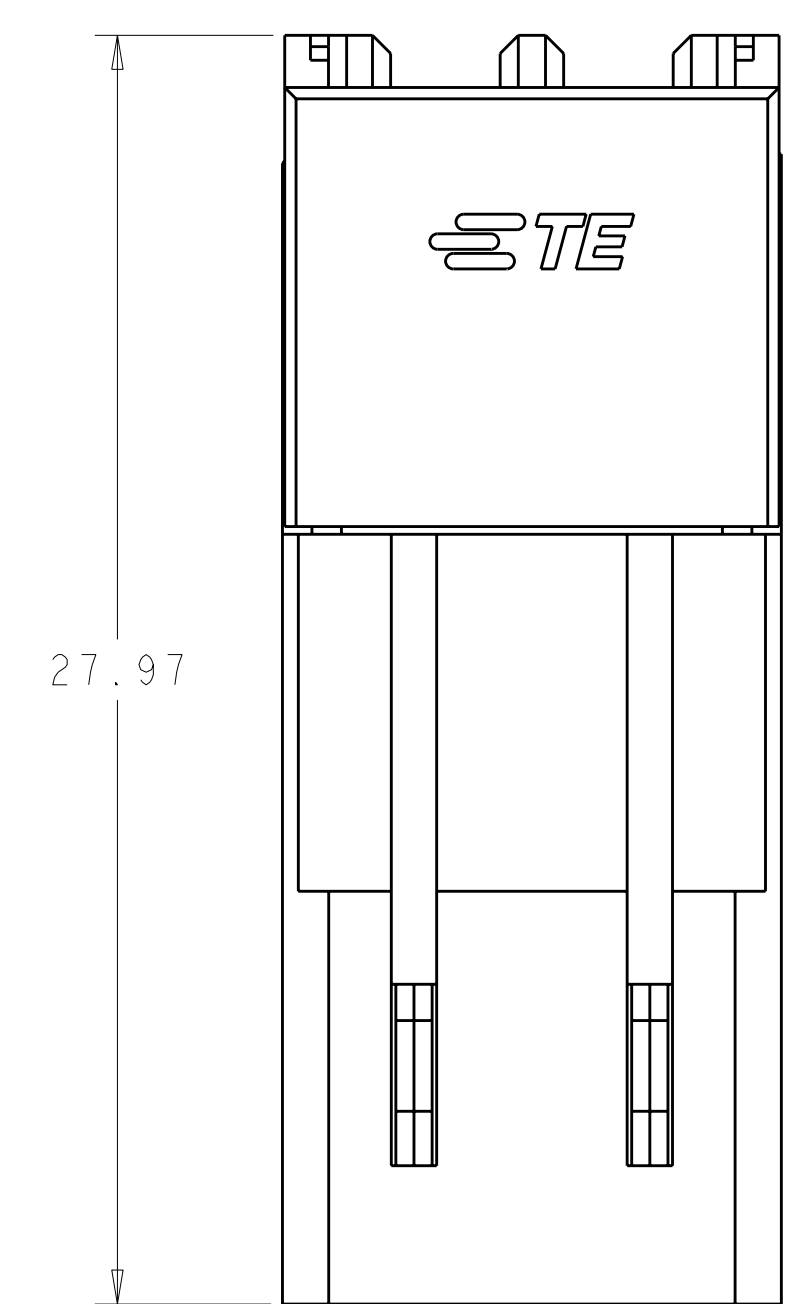
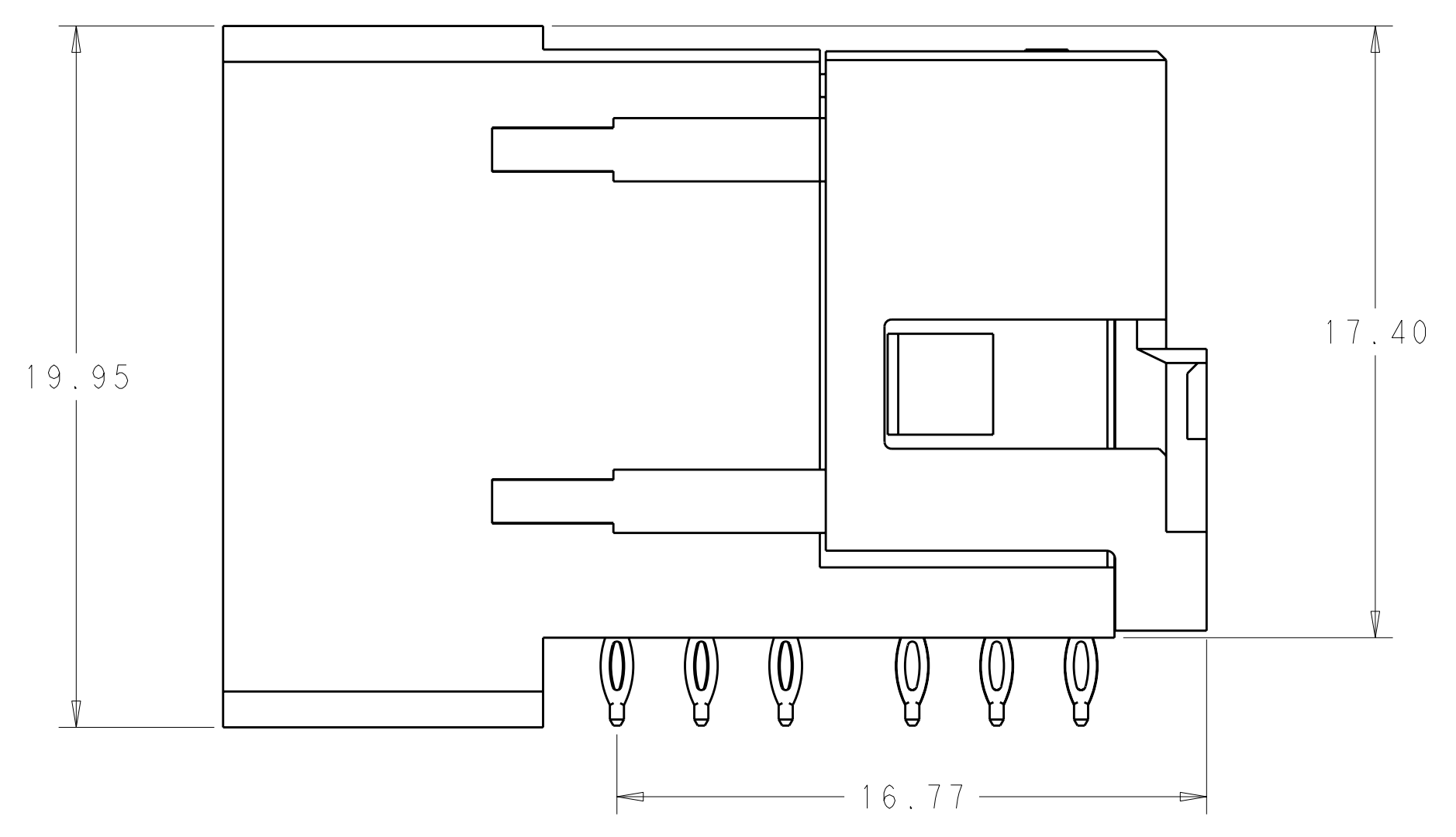
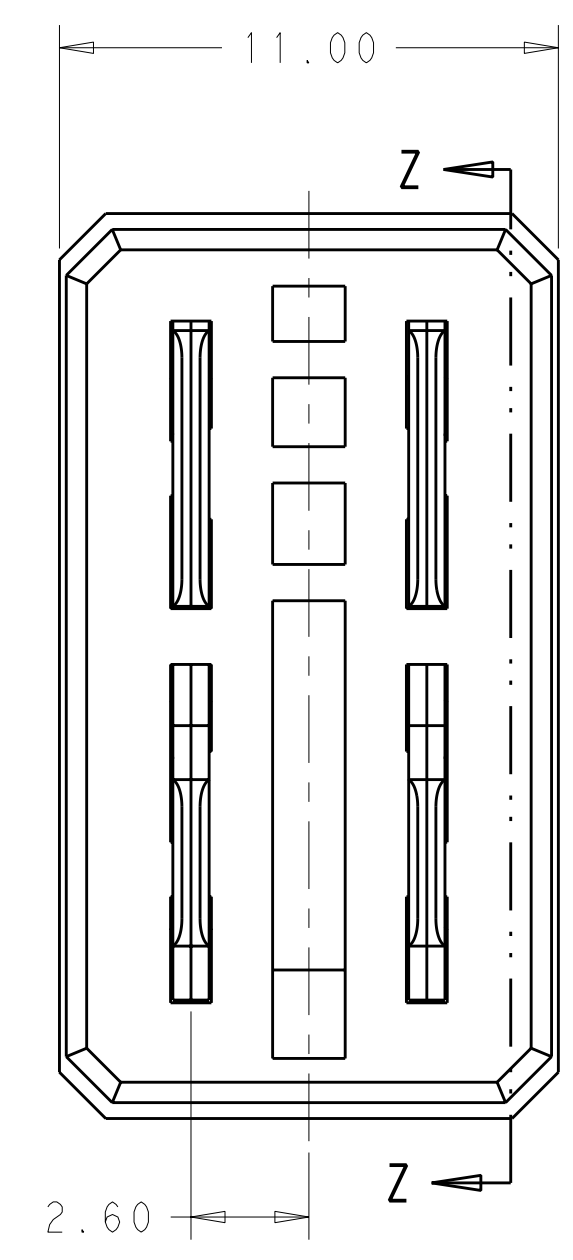


LOC	DIST	REV	DATE	BY	CHK	APPD
-	-	A	29FEB2012	LW	SZ	
-	-	A1	09APR2012	LW	CW	
-	-	A2	12JUN2012	LW	AC	



SECTION Z-Z  
SCALE 6:1



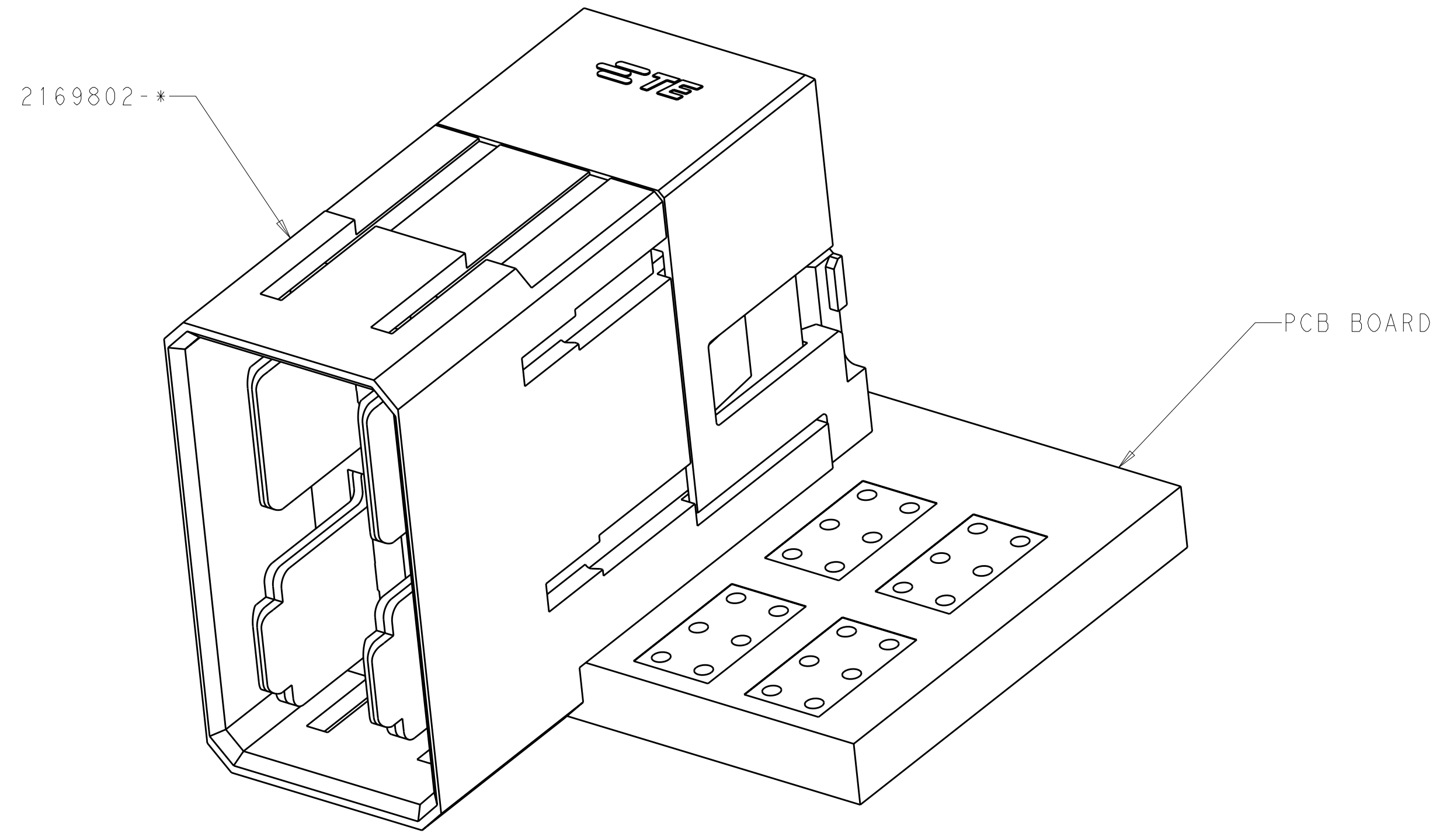
- NOTES:
- MATERIALS:  
HOUSING: HIGH TEMP. THERMOPLASTIC GLASS/MINERAL FILLED UL94V-0  
TERMINAL: COPPER ALLOY
  - FINISH:  
TIN OPTION- 0.76um MINIMUM GOLD AT CONTACT AREA  
2.54um MINIMUM NICKEL UNDERPLATED OVER ALL  
TIN AT TAIL AREA  
TIN-LEAD OPTION- 0.76um MINIMUM GOLD AT CONTACT AREA  
2.54um MINIMUM NICKEL UNDERPLATED OVER ALL  
TIN-LEAD AT TAIL AREA
  - PCB NOTE FOR DIAMETER 0.725MM PLATED HOLE.  
-DRILLED HOLE SIZE IS 0.838MM  
-PLATED WITH 0.007MM MIN. TIN OVER  
0.03 TO 0.08MM COPPER UNDERPLATE TO ACHIEVE  
0.725±0.075MM HOLE.
  - CONNECTOR WERE PACKED BY TRAY
  - REFER TO TE'S PRODUCT SPECIFICATION: 108-2473 FOR TORQUE FORCE AND RETENTION FORCE
  - MATED WITH 2169809-\*
  - PART NUMBER AND DATE CODE AT ASSEMBLY AREA AS APPROXIMATE SHOWN.  
ALSO CAN BE OPPOSITE SIDE
  - THERE ARE TWO TYPES OPTION ONE TYPE WITH DOVETAIL ANOTHER WITHOUT DOVETAIL
  - COMPONENT PLACEMENT ZONE

TRAY	TIN PLATING	NO DOVE TAIL	WITH DOVE TAIL	P1	P2	PART NUMBER
				6.90	6.90	2169802-1
				5.70	5.70	2169802-2
				6.90	5.70	2169802-3
				5.70	6.90	2169802-4
				6.90	6.90	2169802-5
				5.70	5.70	2169802-6
				6.90	5.70	2169802-7
				5.70	6.90	2169802-8
				6.90	6.90	5-2169802-1
				5.70	5.70	5-2169802-2
				6.90	5.70	5-2169802-3
				5.70	6.90	5-2169802-4
				6.90	6.90	5-2169802-5
				5.70	5.70	5-2169802-6
				6.90	5.70	5-2169802-7
				5.70	6.90	5-2169802-8

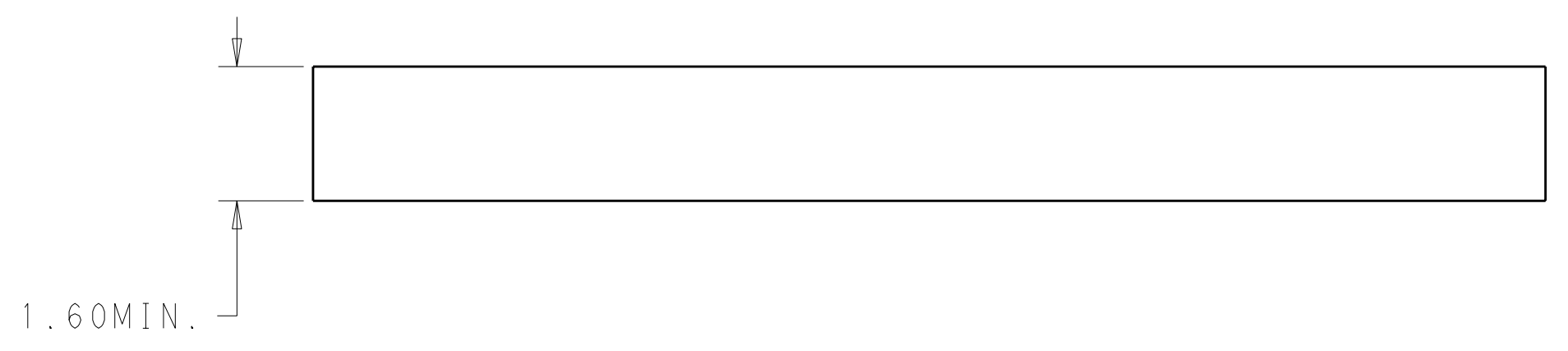
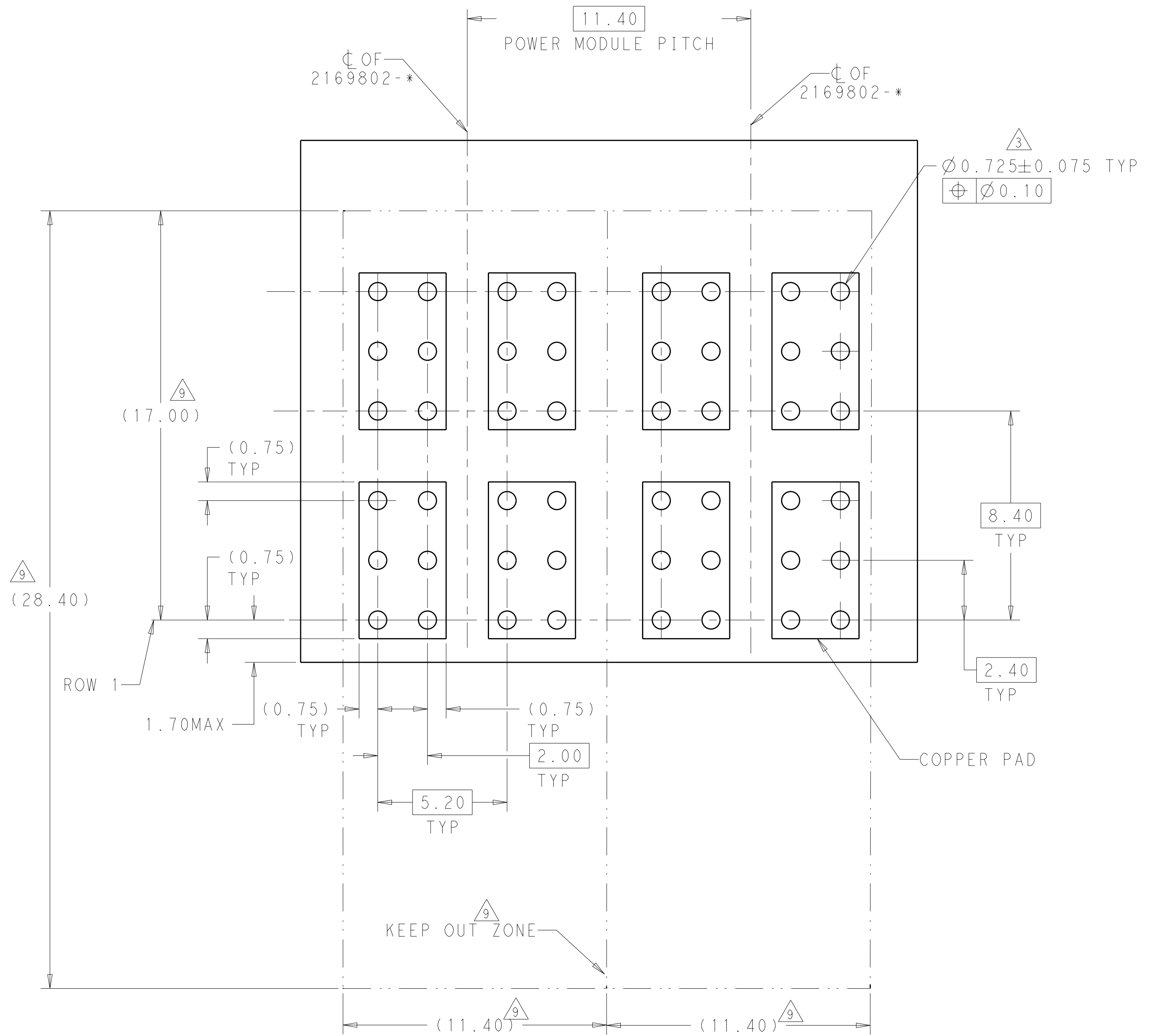
OBSOLETE

DIMENSIONS: mm 9 PLC ±.1 1 PLC ±.1 2 PLC ±.1 3 PLC ±.1 4 PLC ±.1 ANGLES ±.1°		TOLERANCES UNLESS OTHERWISE SPECIFIED: ±.1 ±.05 ±.02 ±.01		DWN LERRY WANG 05MAY2011 CHK SUNY ZHAO 05MAY2011 APPD SUNY ZHAO 05MAY2011		NAME ASSEMBLY IMPACT POWER 4PAIR R/A HEADER PRESS-FIT	
MATERIAL: - FINISH: 2		PRODUCT SPEC: 108-2473 APPLICATION SPEC: 114-32028		SIZE: A1 CAGE CODE: 00779 DRAWING NO: C=2169802		RESTRICTED TO: - SCALE: 6:1 SHEET: 1 OF 2 REV: A2	

LOC	DIST	REV	DATE	BY	APPD
-	-	1	SEE SHEET 1	-	-



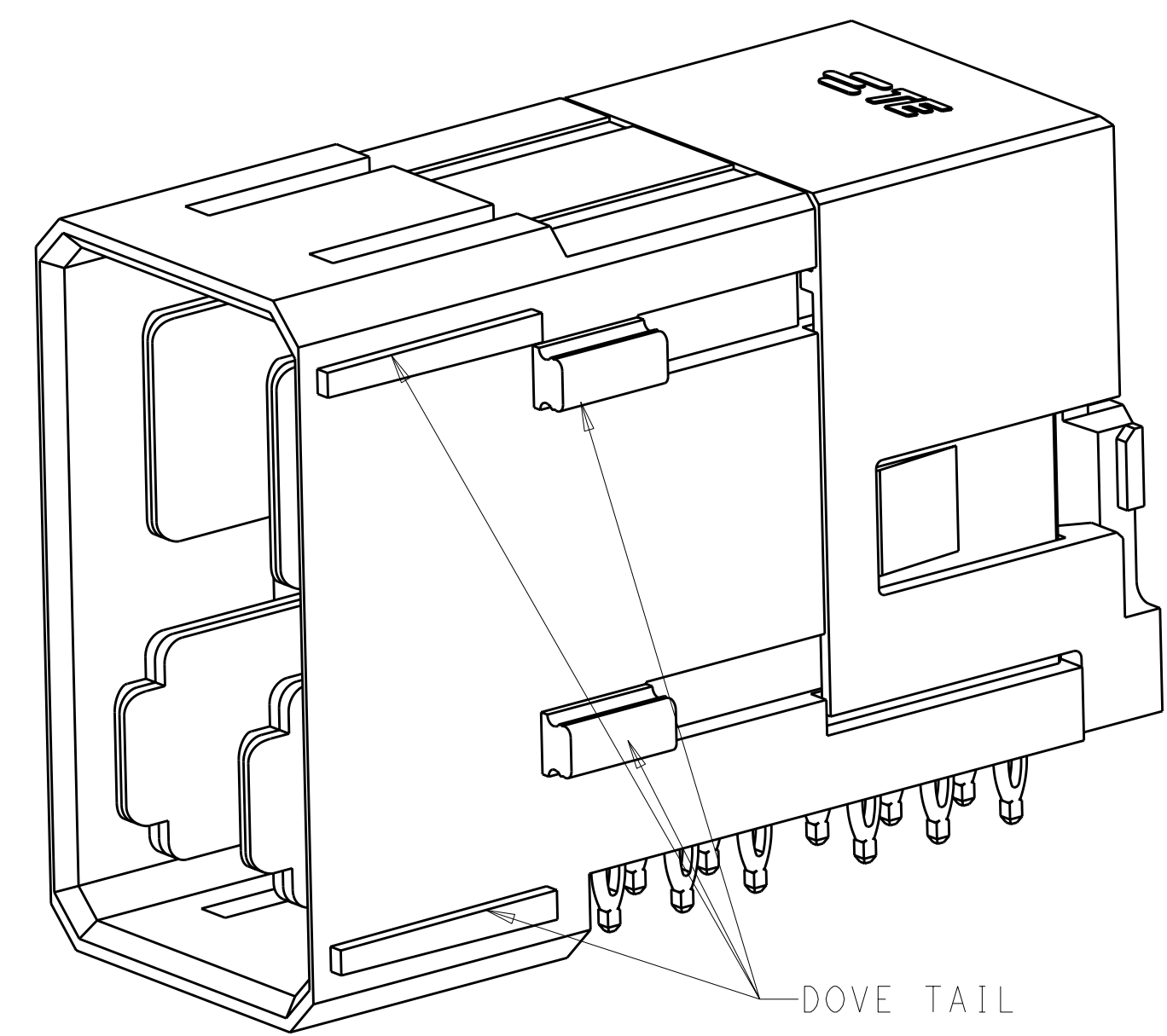
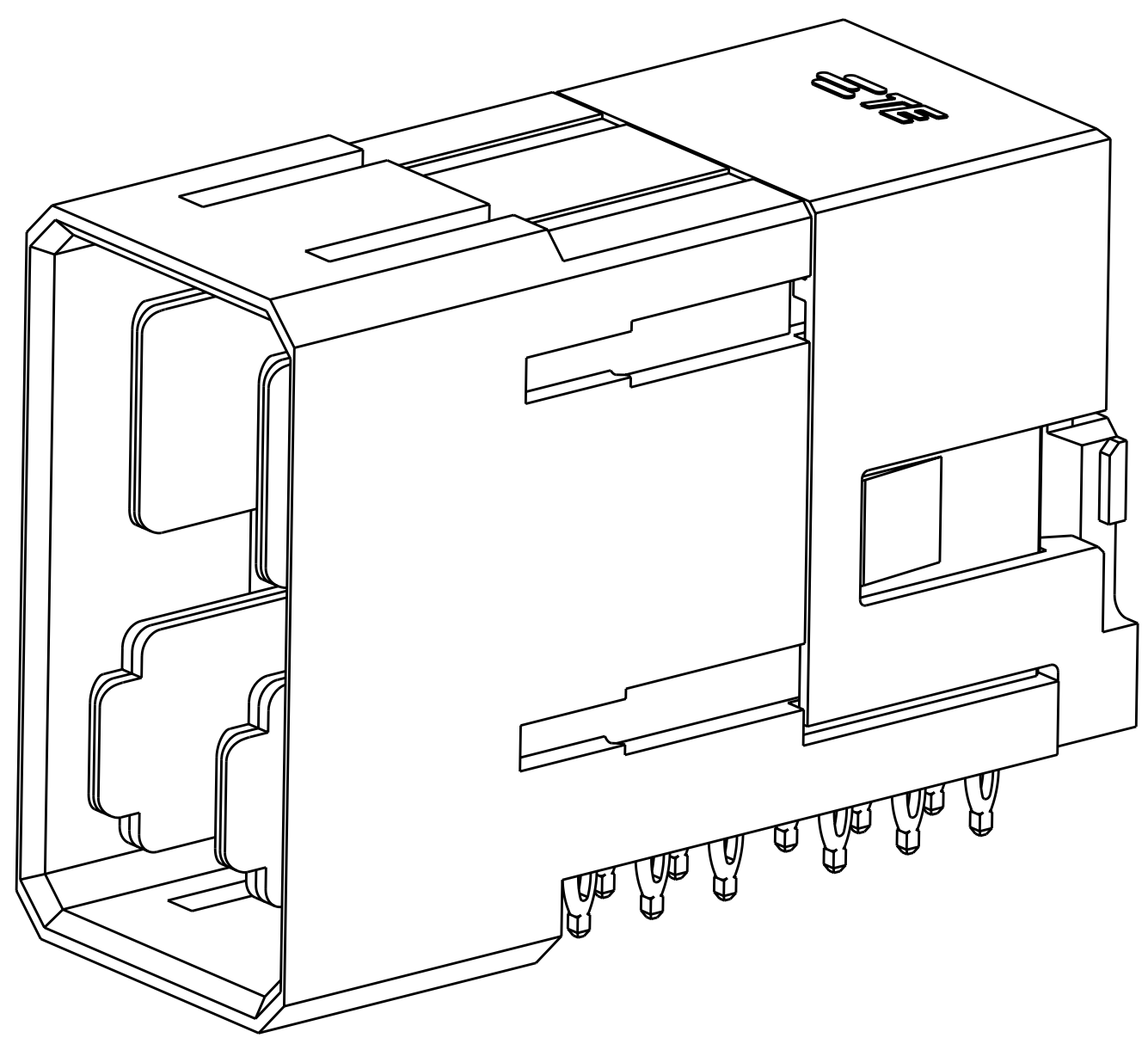
CONNECTOR MATED WITH PCB



PCB LAYOUT FOR 4PAIR R/A HEADER POWER MODULE  
(COMPONENT SIDE SHOWN)

NO DOVETAIL  $\triangle 8$

WITH DOVETAIL  $\triangle 8$



DIMENSIONS: mm 		TOLERANCES UNLESS OTHERWISE SPECIFIED: 9 PLC ±.1 1 PLC ±.05 2 PLC ±.025 3 PLC ±.015 4 PLC ±.01 ANGLES ±.5°		DWN LERRY WANG 05MAY2011 CHK SUNY ZHAO 05MAY2011 APVD SUNY ZHAO 05MAY2011 NAME PRODUCT SPEC 108-2473 APPLICATION SPEC 114-32028 WEIGHT CUSTOMER DRAWING		REVISIONS DATE DWN APPD		NAME ASSEMBLY IMPACT POWER 4PAIR R/A HEADER PRESS-FIT	
MATERIAL FINISH		SIZE CAGE CODE DRAWING NO 00779 C=2169802		RESTRICTED TO		SCALE 6:1		SHEET 2 OF 2	