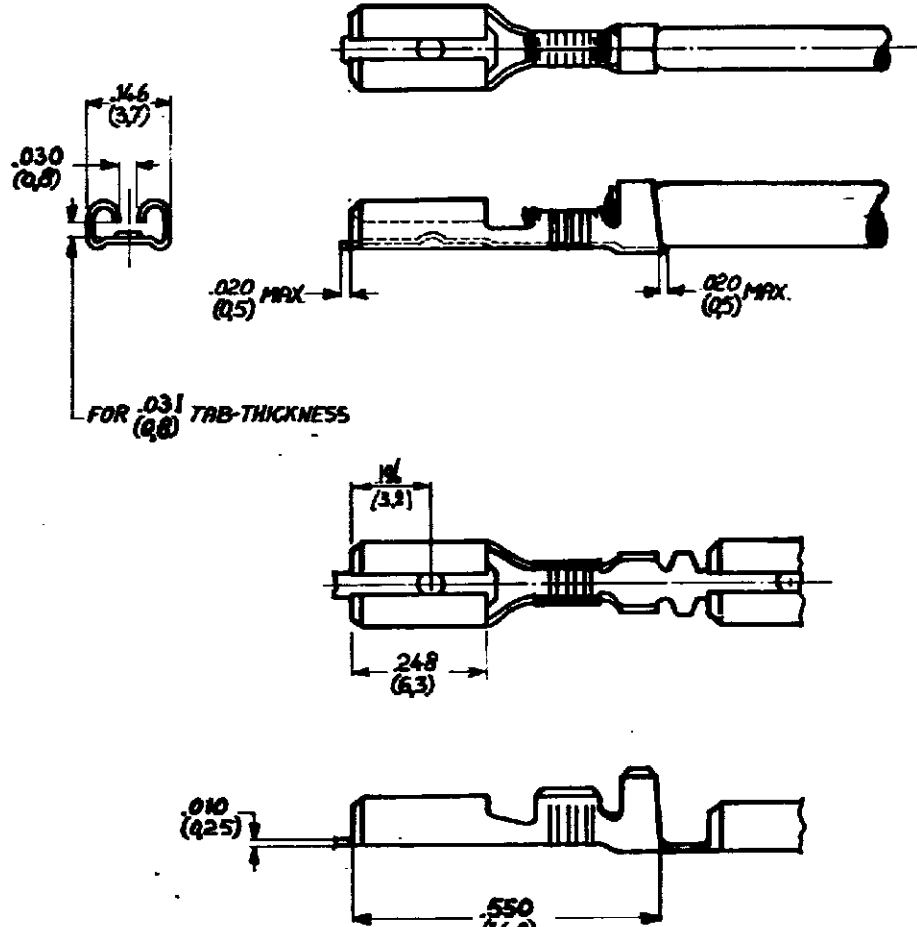


NUMBER C-160.772

DRAWING MADE IN AMERICAN PROJECTION

REV.	DESCRIPTION	DATE	DRAWN	APVD
B2	REVISED PER ECO-11-005140	31MAR11	RK	HMR



1 FOR USE ON MINIATURE AND STANDARD APPLICATORS

2 FOR USE ON MINIATURE APPLICATORS (AMP-B-MATOR APPLICATION)

3 REELED WITH PAPER LAYER.

4 OBSOLETE PARTS: OBSOLETE CIS STREAMLINING PER D.RENAUD/D.SINISI

DIMENSIONS IN (IN) DO NOT SCALE PRINT

ORDER NO.	MATERIAL	PLATING
4-160772-4	BRASS	TIN
160772-3	BRASS	TIN
4-160772-2	BRASS	TIN
160772-1	BRASS	TIN

CUSTOMER COPY FOR REFERENCE ONLY

TE
Connectivity

WIRE RANGE 26-22 AWG 0.18-0.35mm	INSUL. RANGE 0.50-0.80 DIA. (1.27-2.0)	FIRST USED	
SCALE 4 ≈ 1	LOC H	SIZE A	NO C-160.772
NAME 110 Ser FASTON RECEPTACLE			REV B2

DR **A. BYNEN** 14/9-77 DATE **2/16/78**
 CR **[Signature]** DATE **9-23-11-77**