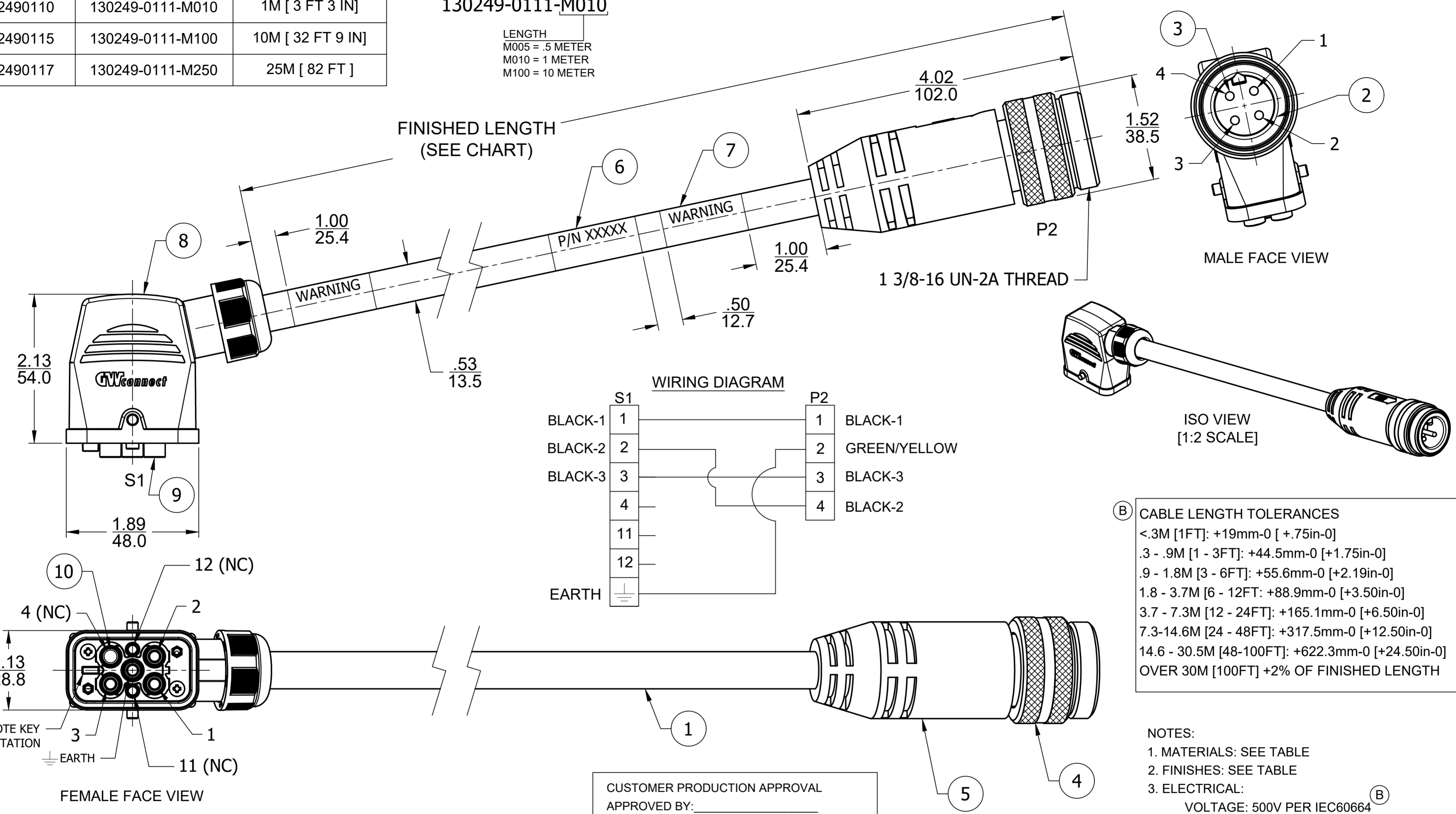


MATERIAL NO.	ENGINEERING NO.	FINISHED LENGTH
1302490110	130249-0111-M010	1M [3 FT 3 IN]
1302490115	130249-0111-M100	10M [32 FT 9 IN]
1302490117	130249-0111-M250	25M [82 FT]

PART NO. MATRIX
130249-0111-M010

LENGTH
M005 = .5 METER
M010 = 1 METER
M100 = 10 METER



(B) CABLE LENGTH TOLERANCES

<.3M [1FT]:	+19mm-0 [+.75in-0]
.3 - .9M [1 - 3FT]:	+44.5mm-0 [+1.75in-0]
.9 - 1.8M [3 - 6FT]:	+55.6mm-0 [+2.19in-0]
1.8 - 3.7M [6 - 12FT]:	+88.9mm-0 [+3.50in-0]
3.7 - 7.3M [12 - 24FT]:	+165.1mm-0 [+6.50in-0]
7.3-14.6M [24 - 48FT]:	+317.5mm-0 [+12.50in-0]
14.6 - 30.5M [48-100FT]:	+622.3mm-0 [+24.50in-0]
OVER 30M [100FT]	+2% OF FINISHED LENGTH

- NOTES:**
- MATERIALS: SEE TABLE
 - FINISHES: SEE TABLE
 - ELECTRICAL:
 - VOLTAGE: 500V PER IEC60664 **(B)**
 - 600V PER UL2237
 - CURRENT: 32A
 - TEMP RATING: -20° C TO +90° C **(B)**
 - ALL DIMENSIONS ARE FOR REFERENCE UNLESS TOLERANCED OR NOTED OTHERWISE

CUSTOMER PRODUCTION APPROVAL
APPROVED BY: _____
DATE: _____
MUST BE SIGNED AND RETURNED BEFORE
PRODUCTION WILL BEGIN.

RESTRICTED SALES DRAWING

10	FEMALE CONTACT SOCKET	COPPER ALLOY	SILVER PLATED
9	INSERT, FEMALE	POLYCARBONATE	GREY
8	HOOD AND GLAND ASSEMBLY	POLYAMIDE	BLACK
7	WARNING LABEL	VINYL	ORANGE/BLACK
6	WRAP LABEL	VINYL	BLACK/YELLOW
5	OVERMOLD	TPE	BLACK
4	COUPLING, MALE	ALUMINUM	CLEAR ANODIZE
3	MALE CONTACT PIN	COPPER ALLOY	GOLD PLATED
2	INSERT, MALE	TPE	BLACK
1	CABLE, #10-4 TC-ER	TPE JACKET	BLACK
ITEM	DESCRIPTION	MATERIAL	FINISH

FUNCTIONAL SYMBOLS	THIS DRAWING CONTAINS INFORMATION THAT IS PROPRIETARY TO MOLEX ELECTRONIC TECHNOLOGIES, LLC AND SHOULD NOT BE USED WITHOUT WRITTEN PERMISSION	CURRENT REV DESC: ITEM# 2 & 5 WERE PVC. ADDED TOL CHART & TEMP RATING. MODIFIED MATERIAL TABLE. ADDED IEC VOLTAGE		
	DIMENSION UNITS: INCH/MM SCALE: NTS GENERAL TOLERANCES (UNLESS SPECIFIED): 4 PLACES ±--- ±--- 3 PLACES ±--- ±--- 2 PLACES ±--- ±--- 1 PLACE ±--- ±--- 0 PLACES ±--- ±--- ANGULAR TOL ± --- °	EC NO: 664420 DRWN: ABENJAMINLW 2020/11/02 CHK'D: RSTONE 2021/05/19 APPR: BWOODMAN 2021/05/19	molex BRAD POWER CORDSET, 4-POLE MALE STRAIGHT TO S-QD 4/2 FEMALE 12KEY #10 AWG PRODUCT CUSTOMER DRAWING	
DIVISIONAL SYMBOLS	DRAFT WHERE APPLICABLE MUST REMAIN WITHIN DIMENSIONS THIRD ANGLE PROJECTION DRAWING: C-SIZE SERIES: 130249	INITIAL REVISION: DRWN: MZIELINS 2016/07/26 APPR: BWOODMAN 2016/09/12	DOCUMENT NUMBER: SD-130249-004 DOC TYPE/DOC PART/REVISION: PSD 001 B	
DOCUMENT STATUS: P1	RELEASE DATE: 2021/05/19 23:56:27	MATERIAL NUMBER: SEE CHART	CUSTOMER: GENERAL MARKET	SHEET NUMBER: 1 OF 1