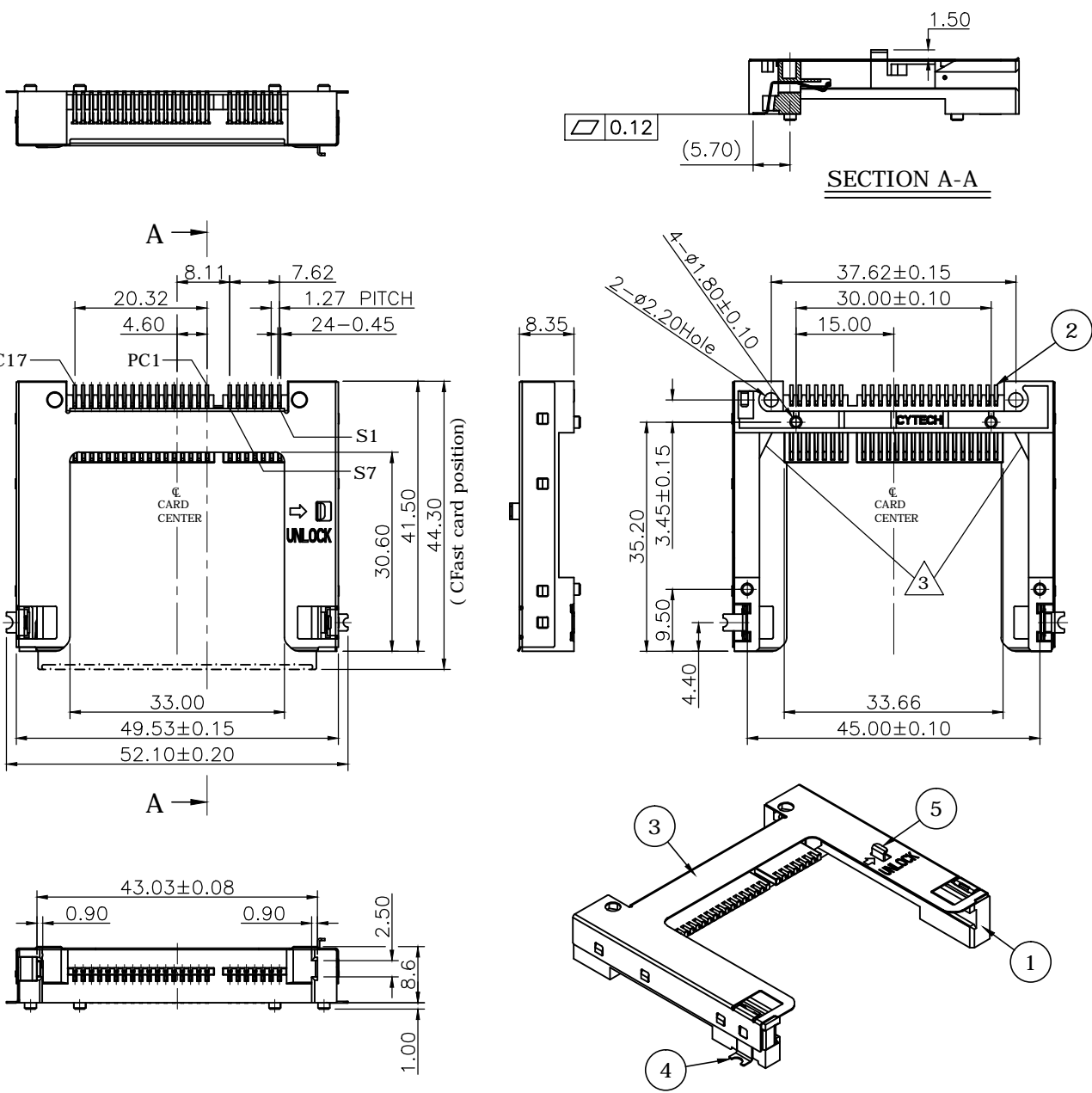


| REV. | DESCRIPTION | DRAWN | DATE |
|------|-----------------------------|--------|------------|
| 1 | INITIAL RELEASE | Willis | 2012/07/04 |
| 2 | Revised plated to 10u" gold | Willis | 2013/05/07 |
| 3 | Corrected housing shape | TIM | 2018/03/29 |



SPECIFICATION:

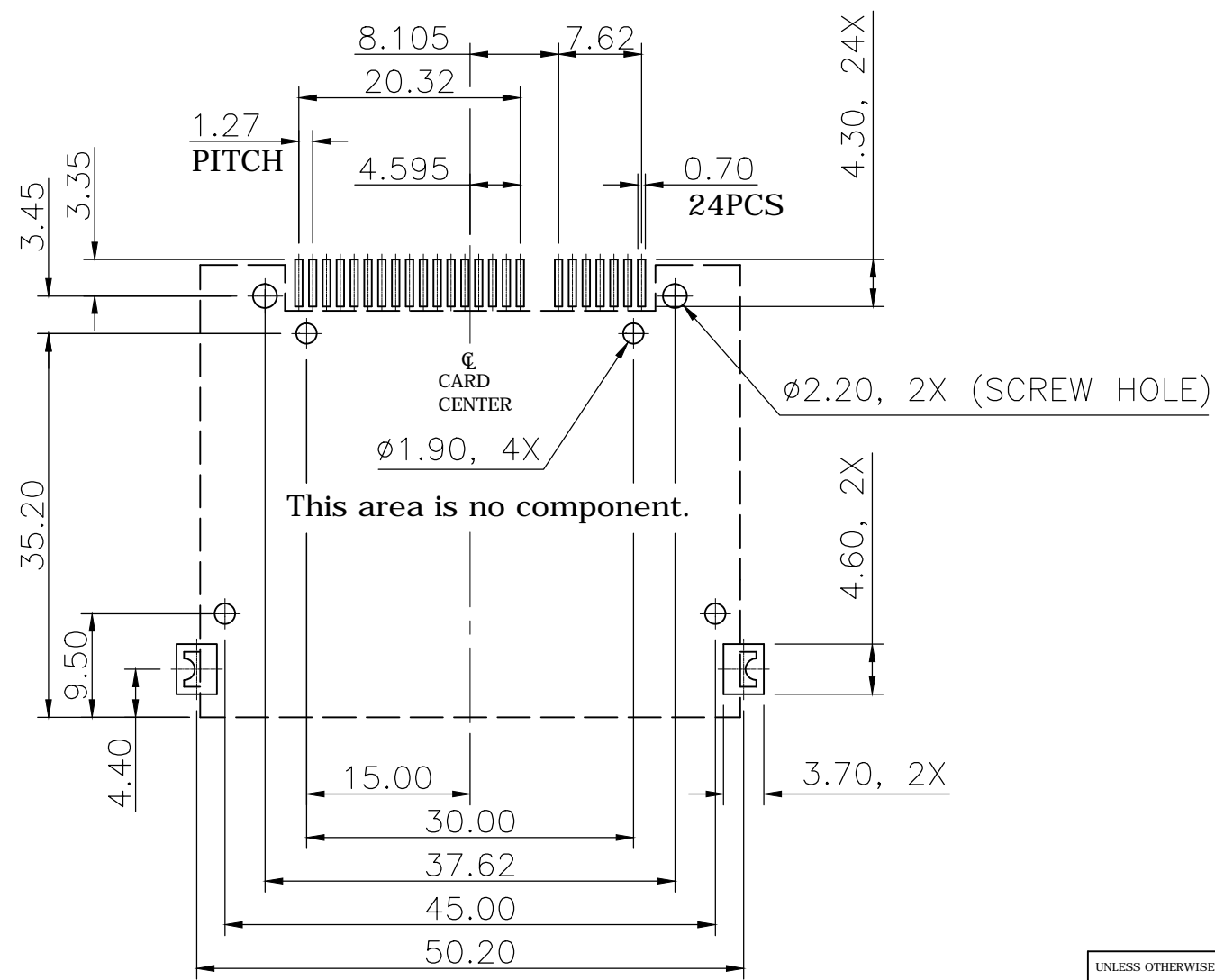
1. ELECTRICAL
 - 1.1 Current Rating: 1.5A
 - 1.2 Voltage Rating: 100V AC/DC
 - 1.3 Contact Resistance: 30mΩ
 - 1.4 Insulation Resistance: 1000MΩ
 - 1.5 Dielectric Withstanding Voltage: 500VDC
2. MECHANICAL
 - 2.1 Durability: 10000 Cycle
 - 2.2 Insertion Force: 28.8N max.
 - 2.3 Extraction Force: 3.7~24.5N max.
3. ENVIRONMENTAL
 - 3.1 Operating temperature range: -40°C~+85°C
 - 3.2 Storage temperature range: -40°C~+85°C
4. SOLDER ABILITY
 - 4.1 Recommended IR Reflow Temperature: 260°C

| | | | |
|--------------------------------------|-----------|--|--|
| 5 | Lock | Stainless Steel | |
| 4 | Hold down | Brass C2680, 0.2t, Tin Plating | |
| 3 | Shell | Stainless Steel SUS304, 0.2T | |
| 2 | Contact | Phosphor Bronze C5210, 0.2t, 10u" Gold | |
| 1 | Housing | LCP UL94V-0 Blcak | |
| NO. | PART NAME | DESCRIPTION | |
| UNLESS OTHERWISE SPECIFIED TOLERANCE | | | |
| UNIT: | DECIMAL | LINEAR | ANGLES |
| mm | X. | ±0.50 | ±5° |
| | X.X | ±0.25 | ±3° |
| | X.XX | ±0.12 | ±1° |
| DRAWN Willis 2012/07/04 | | | DRAWN NAME: CFAST Socket 8.35H TypeII Card Lock Type |
| CHECKED Angel 2012/07/04 | | | |
| APPROVED Ken 2012/07/04 | | | PRODUCT NO. 120B-835D00 |
| SCALE 1/1 SHEET 1/2 SIZE A4 | | | FILE NAME 120B-835D00_B_3 |





www.attend.com.tw

| | | | |
|------|---------------|-------|------|
| REV. | DESCRIPTION | DRAWN | DATE |
| | see sheet one | | |



RECOMMENDED LAYOUT (TOP VIEW)
GENERAL TOLERANCE: ±0.05

| | | | | | |
|---|--------------|--------------|---|--|-----------------|
| UNLESS OTHERWISE SPECIFIED TOLERANCE | | | |  www.attend.com.tw | |
| UNIT: | DECIMAL | LINEAR | ANGLES | | |
| mm | X. | ±0.50 | ±5° | | |
| | X.X | ±0.25 | ±3° | | |
| | X.XX | ±0.12 | ±1° | | |
| DRAWN | Willis | 2012/07/04 | DRAWN NAME: | | |
| CHECKED | Angel | 2012/07/04 | CFAST Socket 8.35H TypeII Card Lock Type | | |
| APPROVED | Ken | 2012/07/04 | PRODUCT NO. | 120B-835D00 | |
|  | SCALE 1.6 | SHEET 2/2 | SIZE A4 | FILE NAME | 120B-835D00_B_3 |