

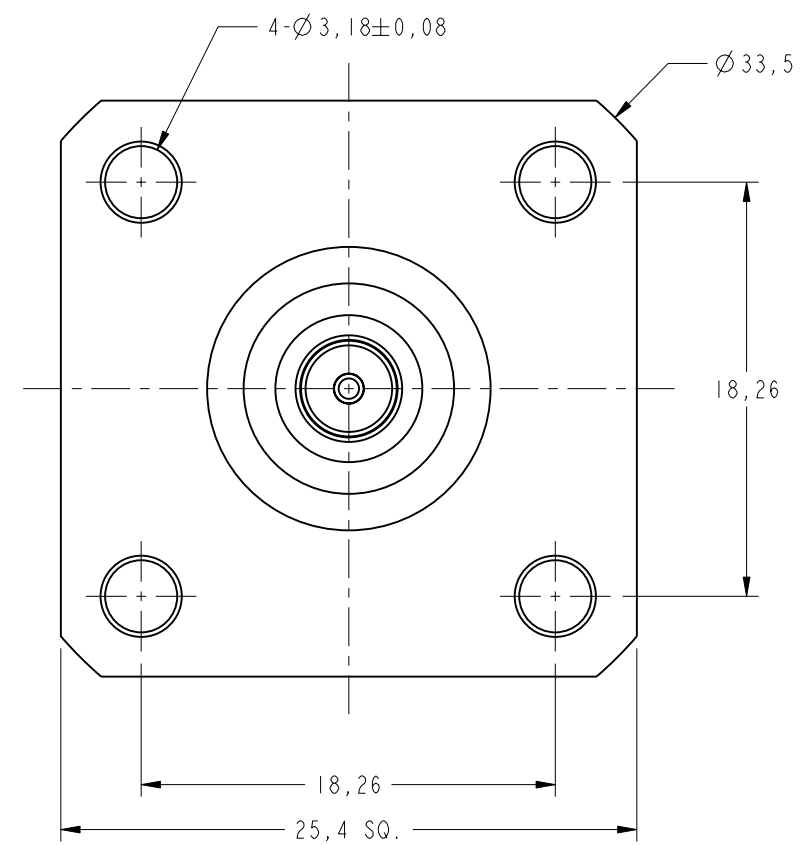
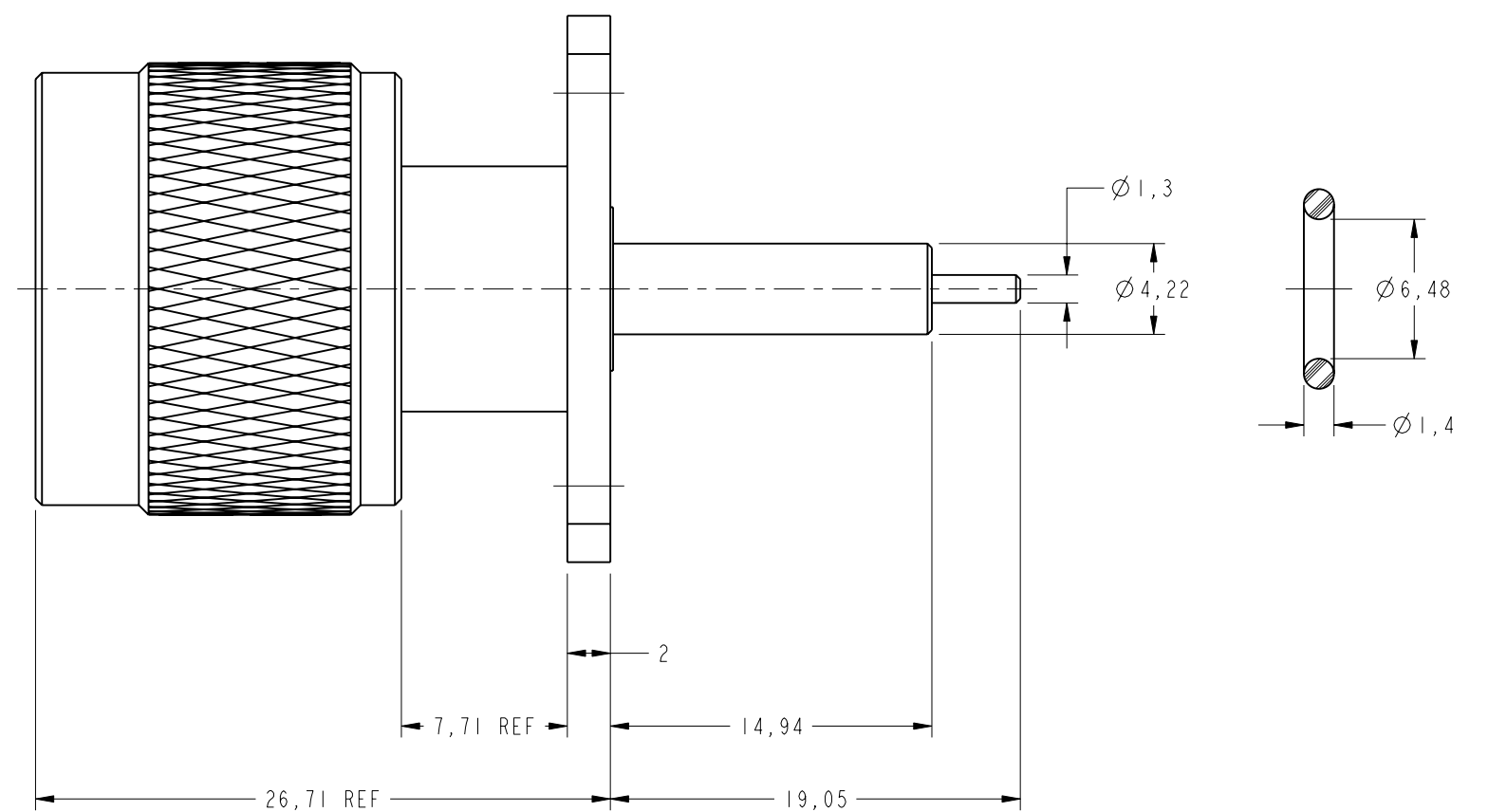
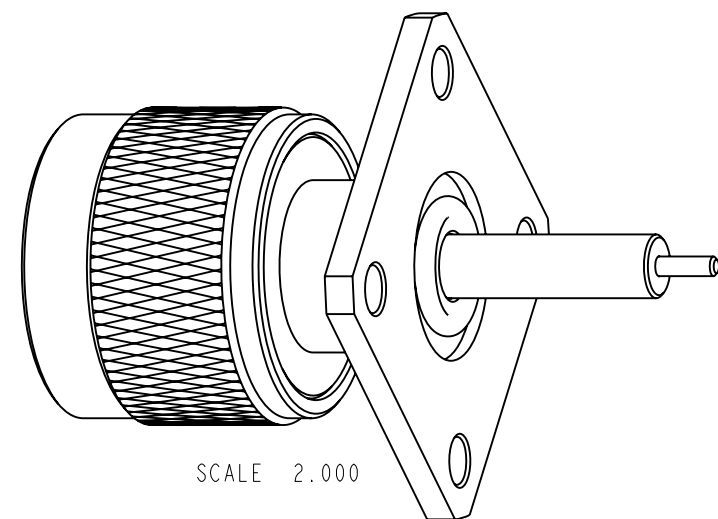
NOTES:

1. MATERIALS AND FINISHES:
 BODY - BRASS, ALBALOY PLATING
 CONTACT - BRASS, GOLD PLATING
 INSULATOR - PTFE
2. ELECTRICAL:
 A. IMPEDANCE: 50 OHM
 B. FREQUENCY RANGE: DC 0 - 11 GHz
 C. DIELECTRIC WITHSTANDING VOLTAGE: 2500 VRMS, MIN.
3. MECHANICAL:
 A. DURABILITY: 500 CYCLES MIN.
 B. TEMPERATURE RANGE: -65° C TO +165° C
3. PACKAGING:
 A. PACK ONE CONNECTOR IN A BAG AND MARK ON THE BAG: "6600-1313 82-6304"
 B. PACK TWENTY-FIVE WRAPPED CONNECTORS IN A MASTER BAG AND MARK ON THE MASTER BAG: "LORCH P/N: 6600-1313 P/N: 82-6304"
 C. O-RING MAY BE PACKAGED LOOSE.

THIRD ANGLE PROJ.

REVISIONS

REV	DESCRIPTION	DATE	ECO	APPR
A1	SEE SHEET 1	09-Jul-07	--	--
E	UPDATE THE DRAWING	08-Jul-09	47563	SH
F	INSULATOR WAS CHANGED \RD-DMI4072301R3	31-Jul-14	50117	RM



CUSTOMER OUTLINE DRAWING
 ALL OTHER SHEETS ARE FOR INTERNAL USE ONLY

UNLESS OTHERWISE SPECIFIED, DIMENSIONS ARE IN METRIC AND TOLERANCES ARE: <0.5mm ±0.05mm 0.5 - 6mm ±0.1mm 6 - 30mm ±0.2mm 30 - 120mm ±0.3mm ANGLES ±1°	MATERIAL	DRAWN R. MAO	DATE 31-Jul-14	TITLE N PANEL RECEPT. PLUG	Amphenol RF Danbury CT USA, Tainan, Taiwan, Shenzhen, China www.amphenolrf.com
	REFERENCE EAR # 644 AND	ENGINEER C. WANG	DATE 14-Aug-08		
NOTICE - These drawings, specifications, or other data (1) are, and remain the property of Amphenol corp. (2) must be returned upon request; and (3) are confidential and not to be disclosed to any person other than those to whom they are given by Amphenol Corp. the furnishing of these drawings, specifications, or other data by Amphenol Corp., or to any other person to anyone for any purpose is not to be regarded by implication or otherwise in any manner licensing, granting rights to permitting such holder or any other sperson to manufacture, use or sell any product, process or design, patented or otherwise, that may in any way be related to or disclosed by said drawings, specifications, or other data.	CONFIGURATION LEVEL: <input type="checkbox"/> <input type="checkbox"/> <input type="checkbox"/>	APPROVED S. HSIEH	DATE 31-Jul-14	SCALE: 3.0:1.0 SHEET 2 OF 2	ITEM NO. 031551AAQ02AL5F
	FINISH	CAD FILE	DWG SIZE B	REV F	PART NO. 82-6304