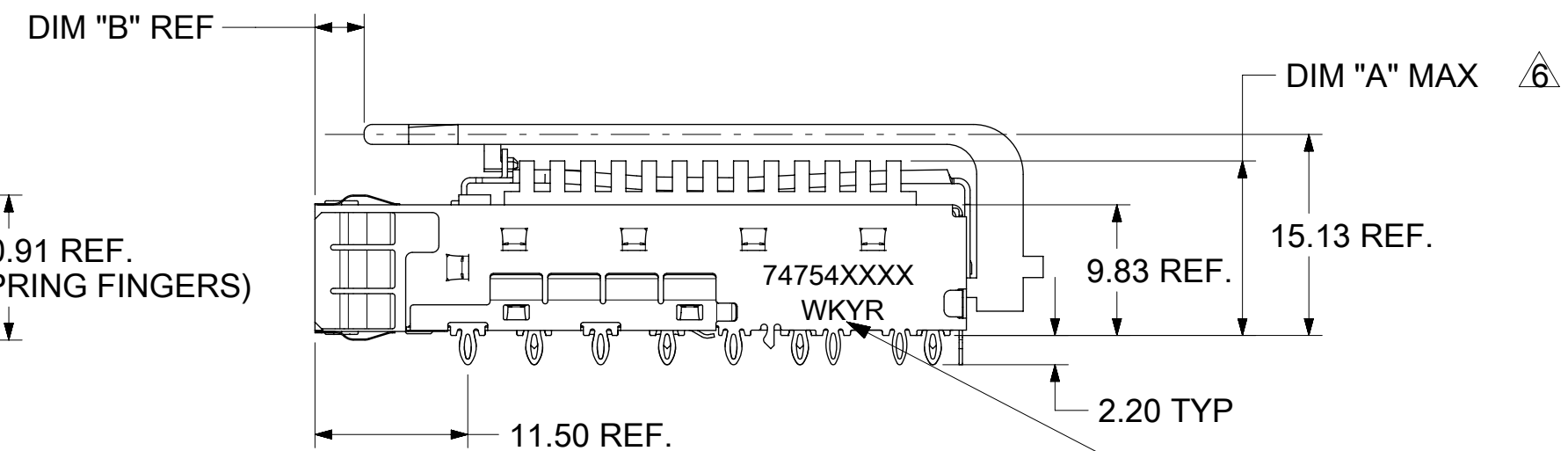
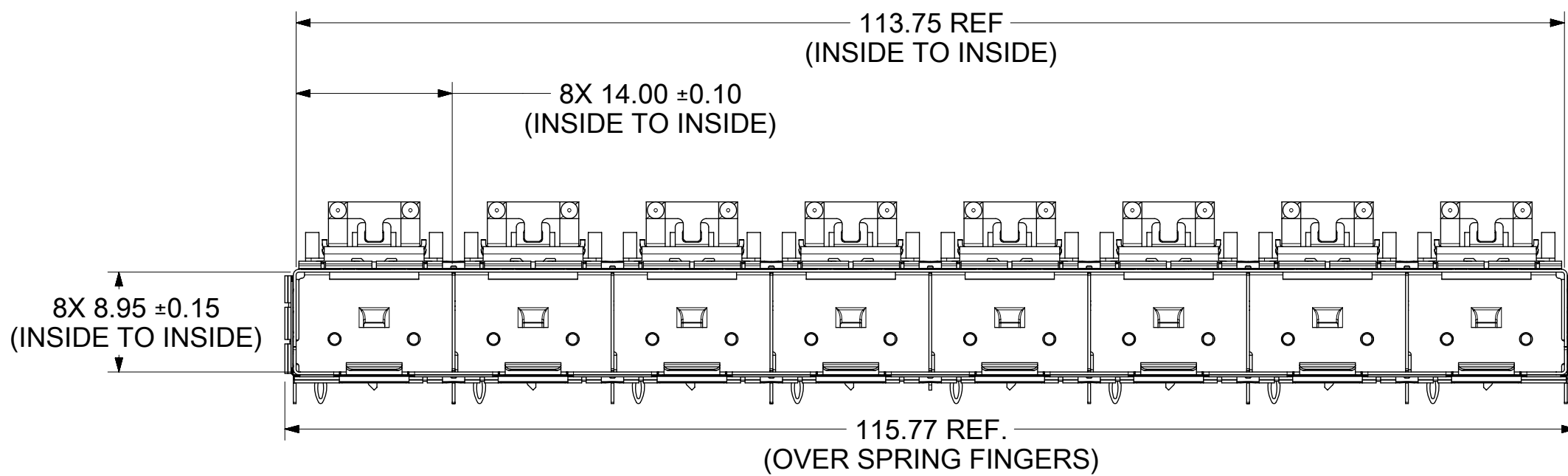
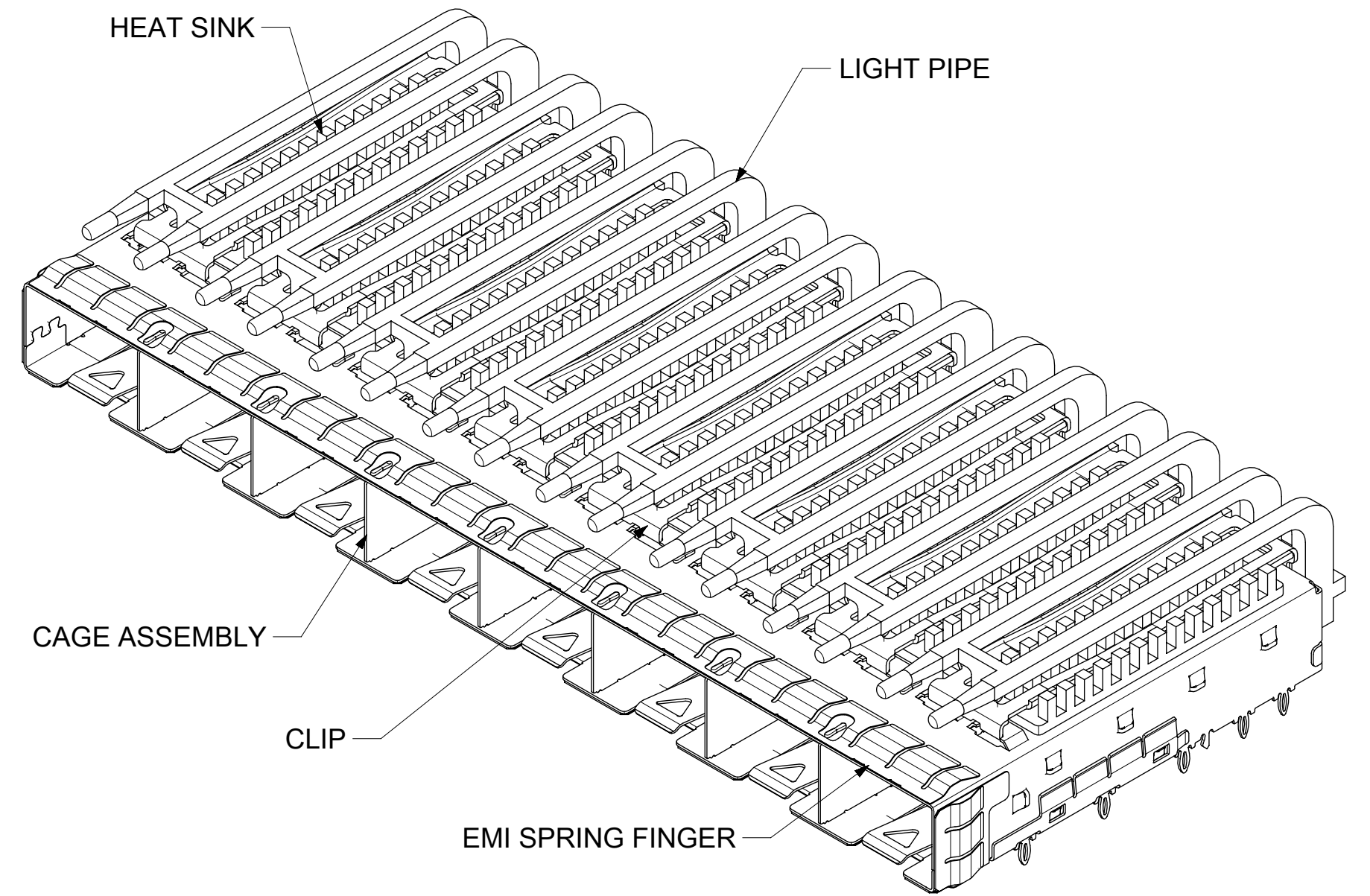
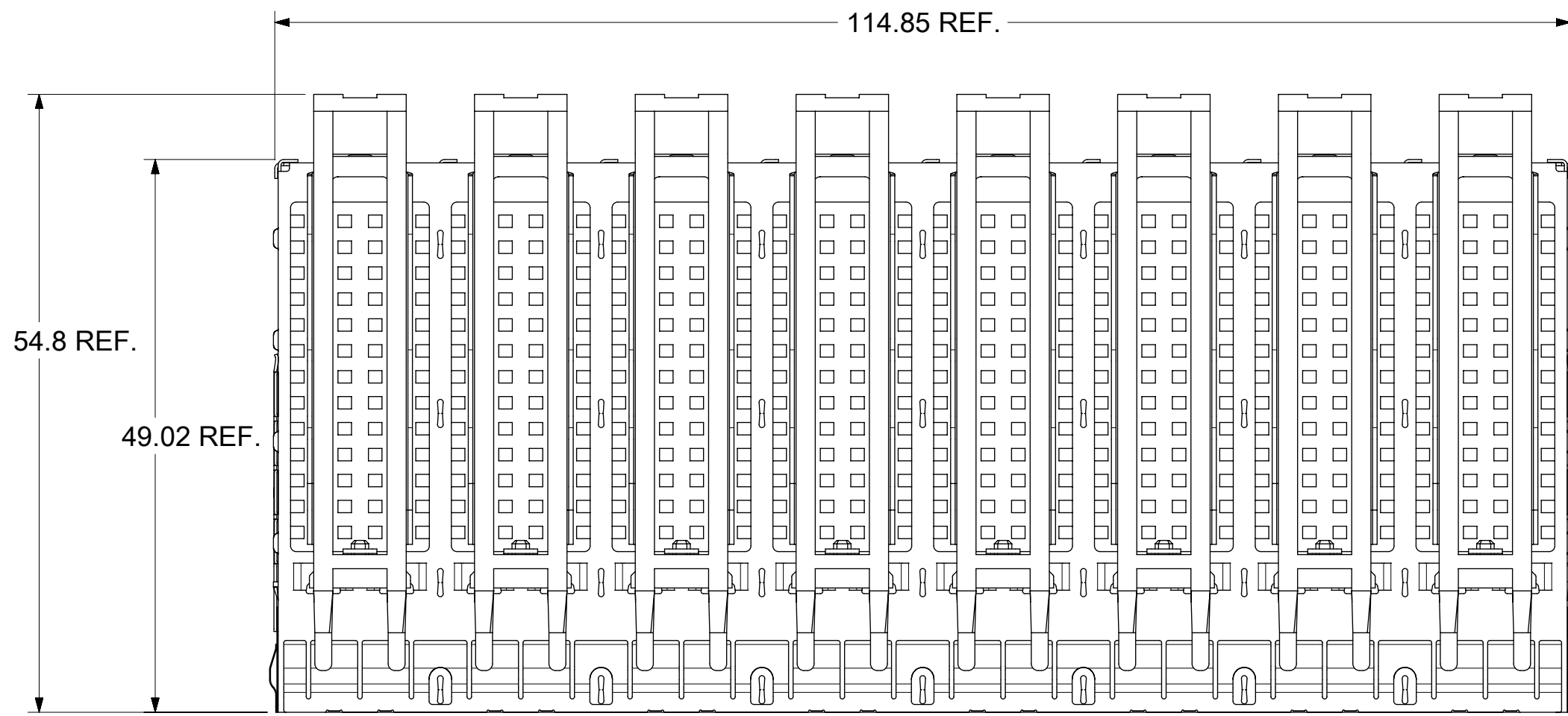


747548821

SHOWN



PART NUMBER	DESCRIPTION	HEAT SINK	LIGHT PIPE	DIM "A"	DIM "B"
747548820	SFP+ GEN2 1X8 CAGE, SF ,OPEN TOP, CUSTOM HS(9.5MM TALL), DUAL LP	CUSTOM HS	DUAL W/ FLAT EDGE	18.43	1.70
747548821	SFP+GEN2 1X8 CAGE, SF, OPEN TOP, PCI HS, DUAL LP	PCI	DUAL W/ ROUND EDGE	13.13	3.70

PART NO. AND WEEK/YEAR DATE CODE TO BE PRINTED ON SIDE OF COMPLETED CAGE ASSEMBLY APPROXIMATELY AS SHOWN. SEE TABLE BELOW FOR DATE CODE INFORMATION.

WEEK/YEAR DATE CODE TABLE	
WK	01 THRU 52 OR 53 EXAMPLE: 01 = FIRST WEEK OF YEAR 52 = LAST WEEK OF YEAR
YR	22, 23, 24 ETC. EXAMPLE: YEAR 2022 = 22

NOTES:

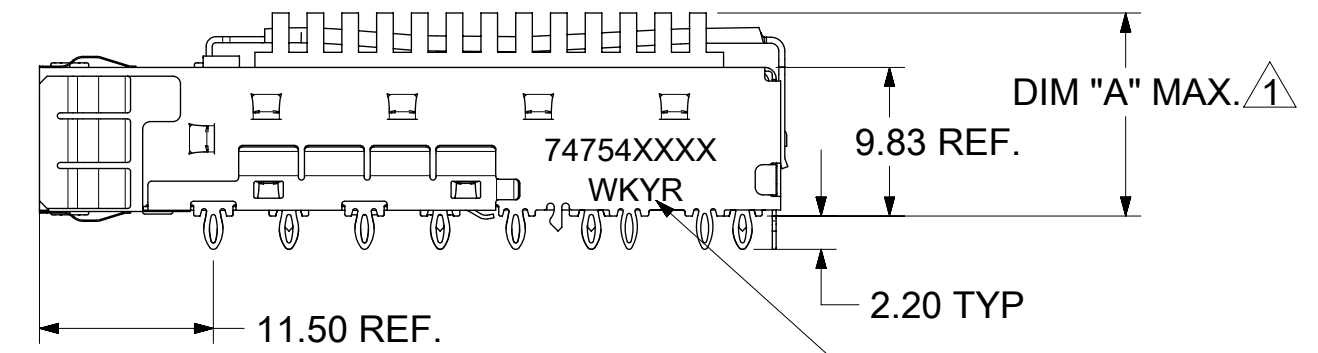
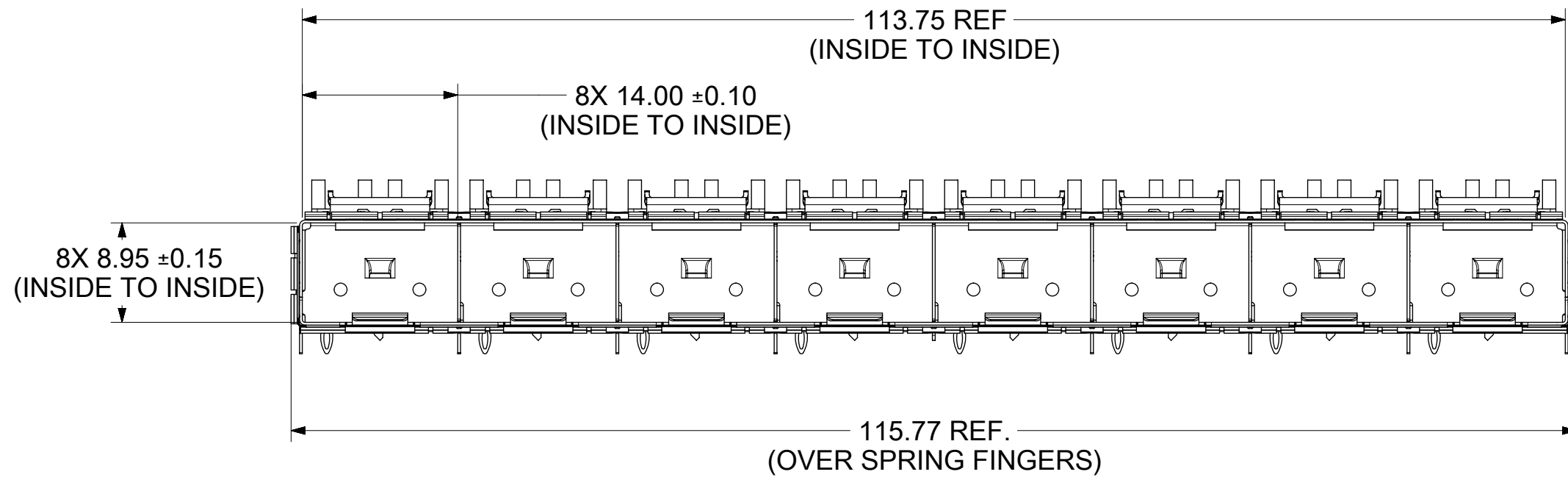
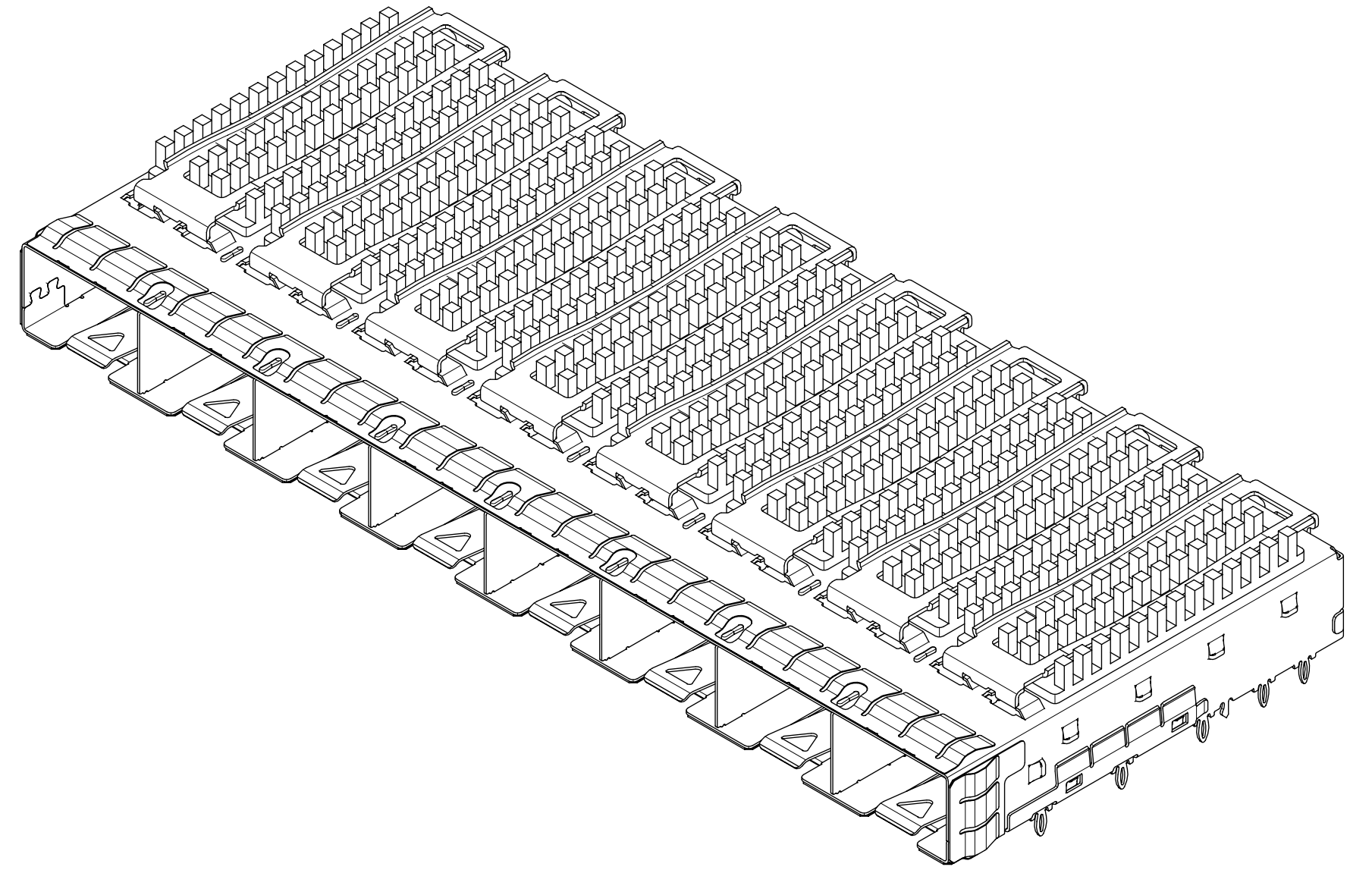
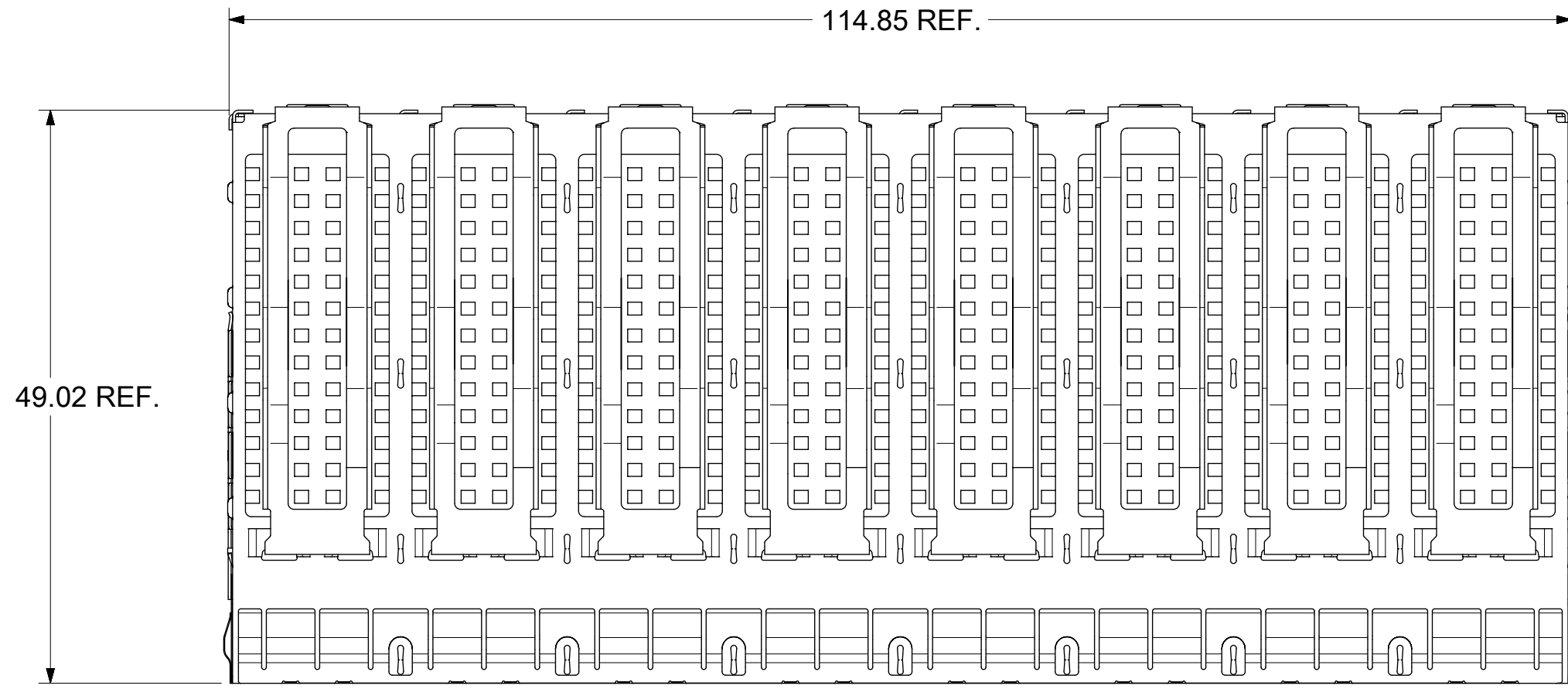
- MATERIAL:
CAGE: 0.25mm THICK COPPER ALLOY, NICKEL PLATED.
SPRING FINGERS: STAINLESS STEEL.
HEATSINK: ALUMINUM,ANNODIZED(BLACK)
HEATSINK SPRING CLIP: STAINLESS STEEL.
LIGHT PIPE: POLYCARBONATE
UNDER BELLY GASKET: EMI GASKET
- PRESS FIT LEGS 2.20mm LONG
- THE TOP SURFACE OF THE MODULE MUST BE FLAT (NO PRODUCT LABEL RECESS) AND THERMALLY CONDUCTIVE TO FUNCTION OPTIMALLY.
- WELD SPOT MAY SHOW SLIGHT MATERIAL DISCOLORATION.
- NO RoHS EXEMPTIONS.
- HEIGHT OF HEATSINK WITH MODULE INSERTED.
DIMENSION MAY BE LESS DUE TO MODULE AND HEATSINK VARIATIONS.

FUNCTIONAL SYMBOLS	THIS DRAWING CONTAINS INFORMATION THAT IS PROPRIETARY TO MOLEX ELECTRONIC TECHNOLOGIES, LLC AND SHOULD NOT BE USED WITHOUT WRITTEN PERMISSION		CURRENT REV DESC:		molex					
	DIMENSION UNITS	SCALE								
$\nabla_A = 0$	mm	2:1	EC NO: 730246 DRWN: AMRUTH 2022/11/29 CHK'D: SMALLESHAPPA 2022/11/29 APPR: SCHIEN 2022/11/30		SFP+ 1X8 CAGE ASSY PRESS FIT TYPE, W/SUS SF, HEAT SINK & LIGHT PIPE					
$\nabla_E = 0$	GENERAL TOLERANCES (UNLESS SPECIFIED)									
$\nabla_P = 0$	ANGULAR TOL ± 1.0°									
DIVISIONAL SYMBOLS	4 PLACES	±	INITIAL REVISION: DRWN: PKH 2022/04/07 APPR: SCHIEN 2022/05/26		PRODUCT CUSTOMER DRAWING					
	3 PLACES	±			DOCUMENT NUMBER		DOC TYPE	DOC PART	REVISION	
	2 PLACES	± 0.13			747548820		PSD	ASY	B1	
	1 PLACE	± 0.25								
0 PLACES	±	DRAFT WHERE APPLICABLE MUST REMAIN WITHIN DIMENSIONS		THIRD ANGLE PROJECTION	DRAWING	SERIES	MATERIAL NUMBER	CUSTOMER	SHEET NUMBER	
					C-SIZE	74754	SEE P/N TABLE			1 OF 7

DOCUMENT STATUS	P1	RELEASE DATE	2022/11/30	02:34:56
-----------------	----	--------------	------------	----------

747547820

SHOWN



PART NO. AND WEEK/YEAR DATE CODE TO BE PRINTED ON SIDE OF COMPLETED CAGE ASSEMBLY APPROXIMATELY AS SHOWN. SEE TABLE BELOW FOR DATE CODE INFORMATION.

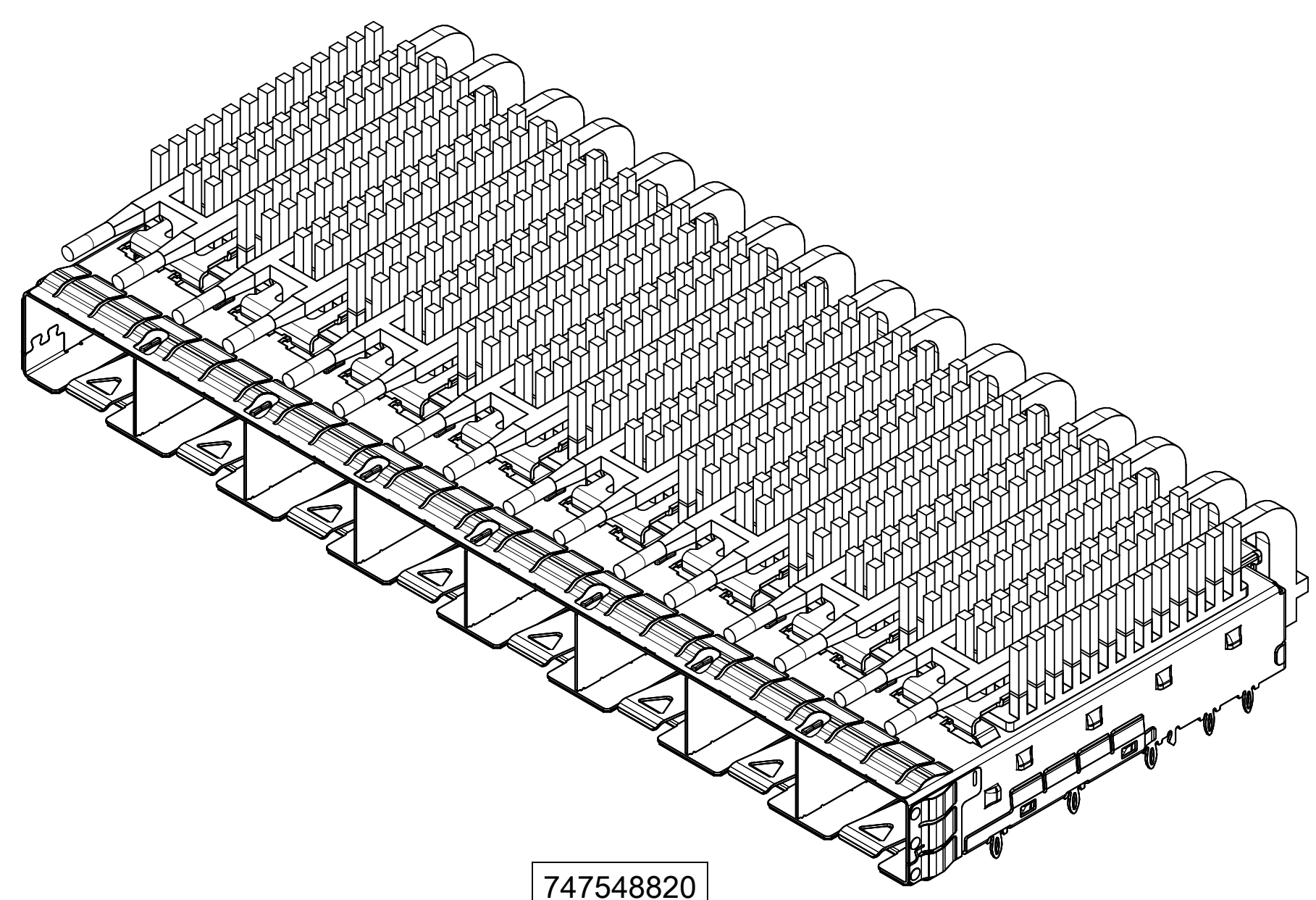
WEEK/YEAR DATE CODE TABLE	
WK	01 THRU 52 OR 53 EXAMPLE: 01 = FIRST WEEK OF YEAR 52 = LAST WEEK OF YEAR
YR	22, 23, 24 ETC. EXAMPLE: YEAR 2022 = 22

PART NUMBER	DESCRIPTION	HEAT SINK	LIGHT PIPE	DIM "A"
747547820	SFP+ GEN2 1X8 CAGE, SF ,OPEN TOP, CUSTOM HS(4.5MM TALL)	CUSTOM HS	NO	15.0

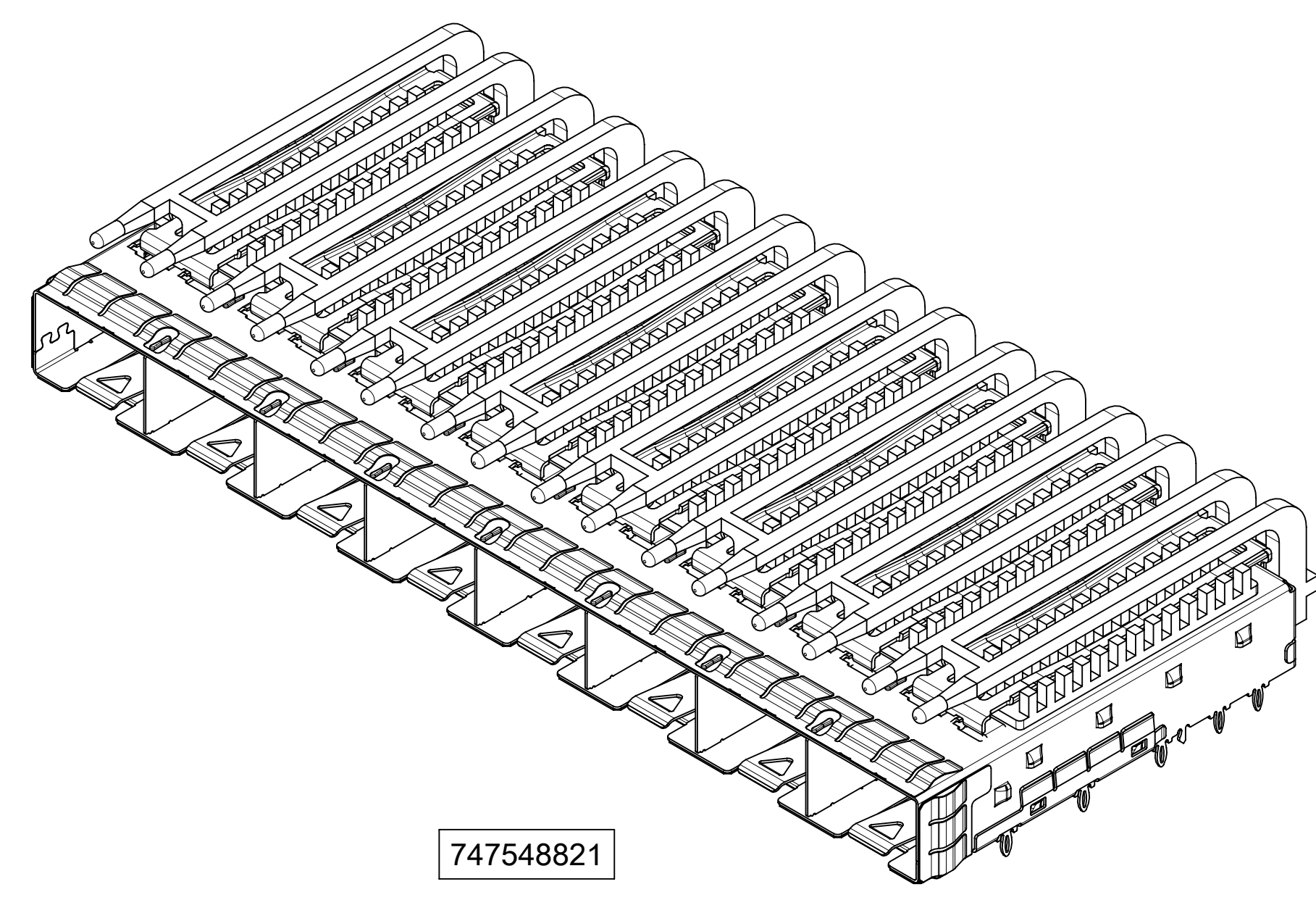
FUNCTIONAL SYMBOLS	THIS DRAWING CONTAINS INFORMATION THAT IS PROPRIETARY TO MOLEX ELECTRONIC TECHNOLOGIES, LLC AND SHOULD NOT BE USED WITHOUT WRITTEN PERMISSION		CURRENT REV DESC:		molex
	DIMENSION UNITS	SCALE			
$\frac{E}{A} = 0$	mm	2:1	EC NO: 730246 DRWN: AMRUTH 2022/11/29 CHK'D: SMALLESHAPPA 2022/11/29 APPR: SCHIEN 2022/11/30		PRODUCT CUSTOMER DRAWING
$\frac{E}{C} = 0$	GENERAL TOLERANCES (UNLESS SPECIFIED)				
$\frac{E}{P} = 0$	ANGULAR TOL ± 1.0°				
DIVISIONAL SYMBOLS	4 PLACES	±	INITIAL REVISION: DRWN: PKH 2022/04/07 APPR: SCHIEN 2022/05/26		DOCUMENT NUMBER
	3 PLACES	±			747548820
	2 PLACES	± 0.13			DOC TYPE
	1 PLACE	± 0.25			ASY
0 PLACES	±		APPR: SCHIEN	DOC PART	
DRAFT WHERE APPLICABLE MUST REMAIN WITHIN DIMENSIONS		THIRD ANGLE PROJECTION	DRAWING	SERIES	MATERIAL NUMBER
			C-SIZE	74754	SEE P/N TABLE
					CUSTOMER
					SHEET NUMBER
					2 OF 7

1. HEIGHT OF HEATSINK WITH MODULE INSERTED. DIMENSION MAY BE LESS DUE TO MODULE AND HEATSINK VARIATIONS.

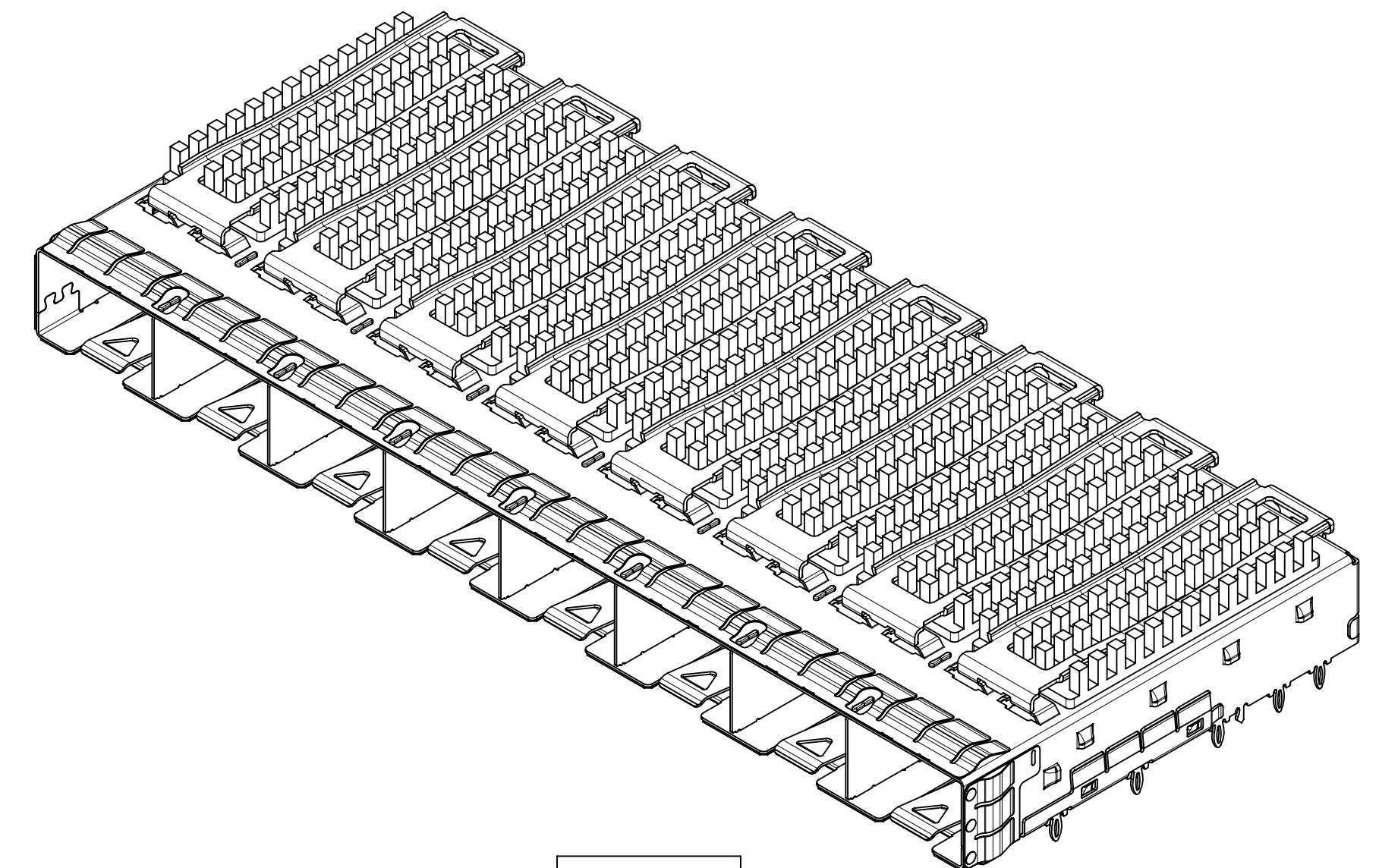
DOCUMENT STATUS	P1	RELEASE DATE	2022/11/30	02:34:56
-----------------	----	--------------	------------	----------




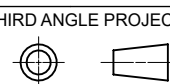
747548820



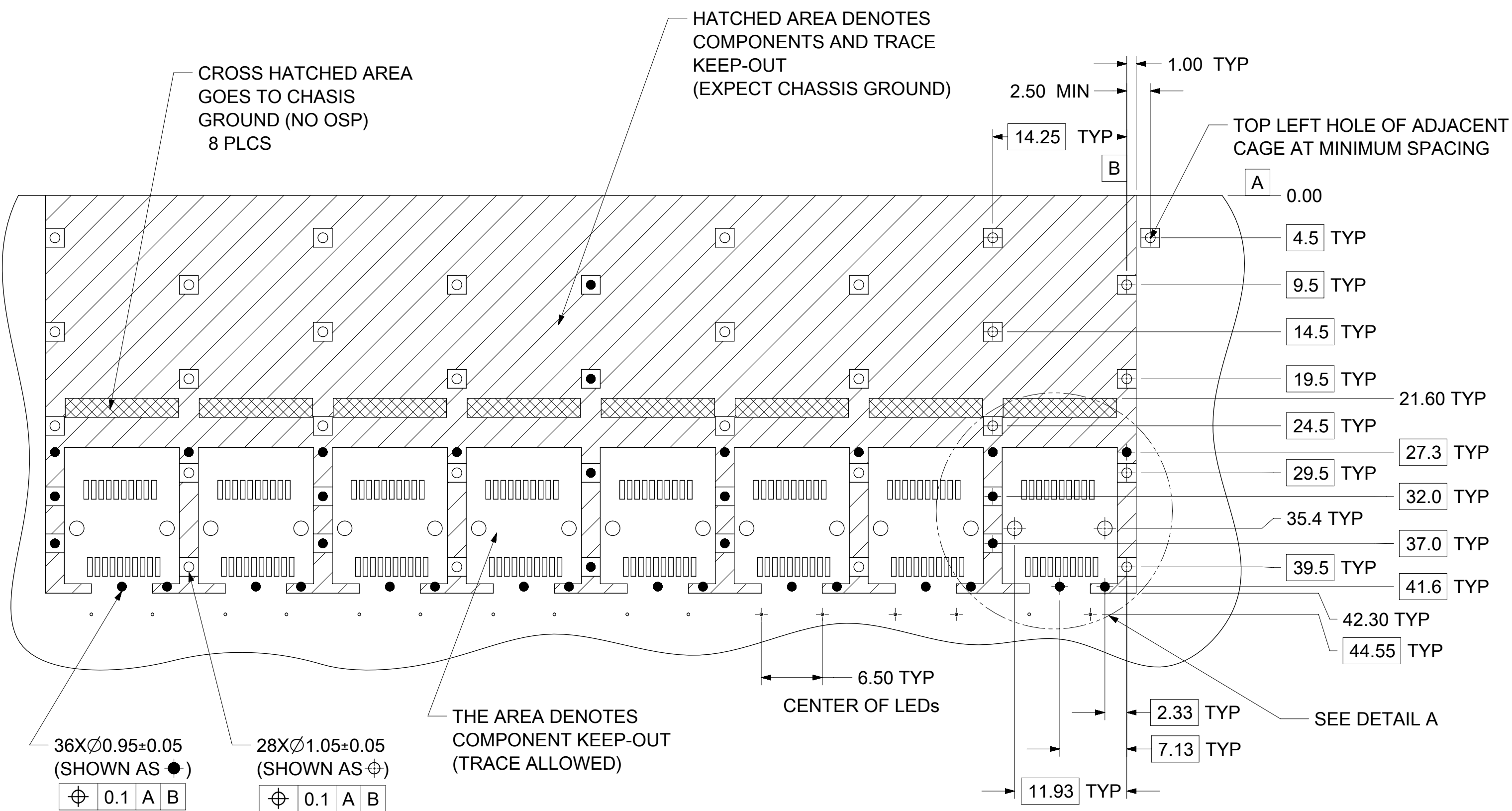
747548821



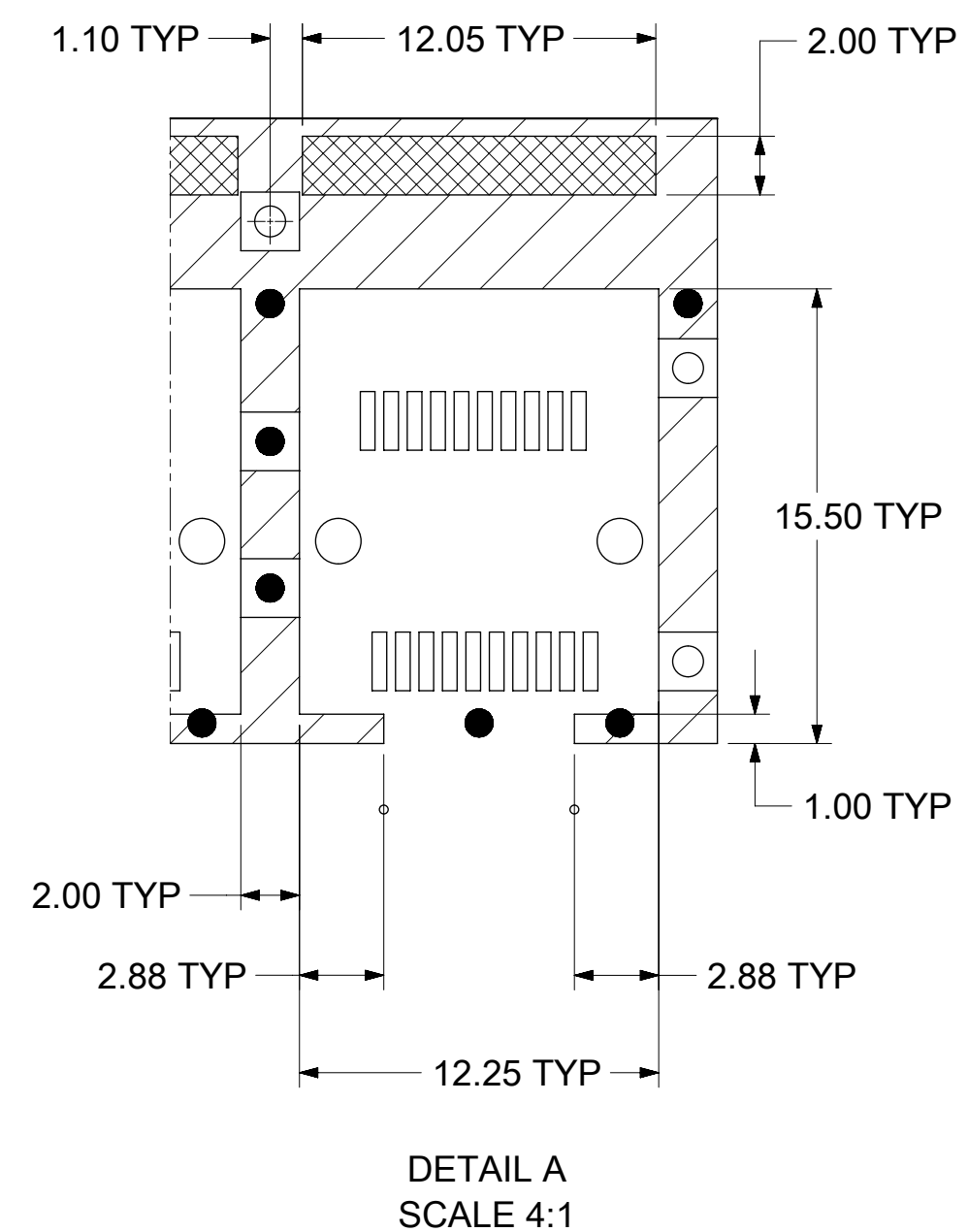
747547820

FUNCTIONAL SYMBOLS										THIS DRAWING CONTAINS INFORMATION THAT IS PROPRIETARY TO MOLEX ELECTRONIC TECHNOLOGIES, LLC AND SHOULD NOT BE USED WITHOUT WRITTEN PERMISSION									
DIMENSION UNITS					SCALE					CURRENT REV DESC:					 SFP+ 1X8 CAGE ASSY PRESS FIT TYPE, W/SUS SF, HEAT SINK & LIGHT PIPE PRODUCT CUSTOMER DRAWING				
MM					2:1					EC NO: 730246									
GENERAL TOLERANCES (UNLESS SPECIFIED)										DRWN: AMRUTH 2022/11/29									
4 PLACES ±					MM					INCH					CHK'D: SMALLESHAPPA 2022/11/29				
3 PLACES ±					MM					INCH					APPR: SCHIEN 2022/11/30				
2 PLACES ± 0.13					MM					INCH					INITIAL REVISION:				
1 PLACE ± 0.25					MM					INCH					DRWN: PKH 2022/04/07				
0 PLACES ±					MM					INCH					APPR: SCHIEN 2022/05/26				
ANGULAR TOL ± 1.0 °					MM					INCH					DOCUMENT NUMBER				
DRAFT WHERE APPLICABLE MUST REMAIN WITHIN DIMENSIONS					THIRD ANGLE PROJECTION					DRAWING					SERIES				
										C-SIZE					74754				
										MATERIAL NUMBER					CUSTOMER				
										SEE P/N TABLE					SHEET NUMBER				

PCB LAYOUT FOR SINGLE SIDE MOUNT



HOST CONNECTOR DETAIL

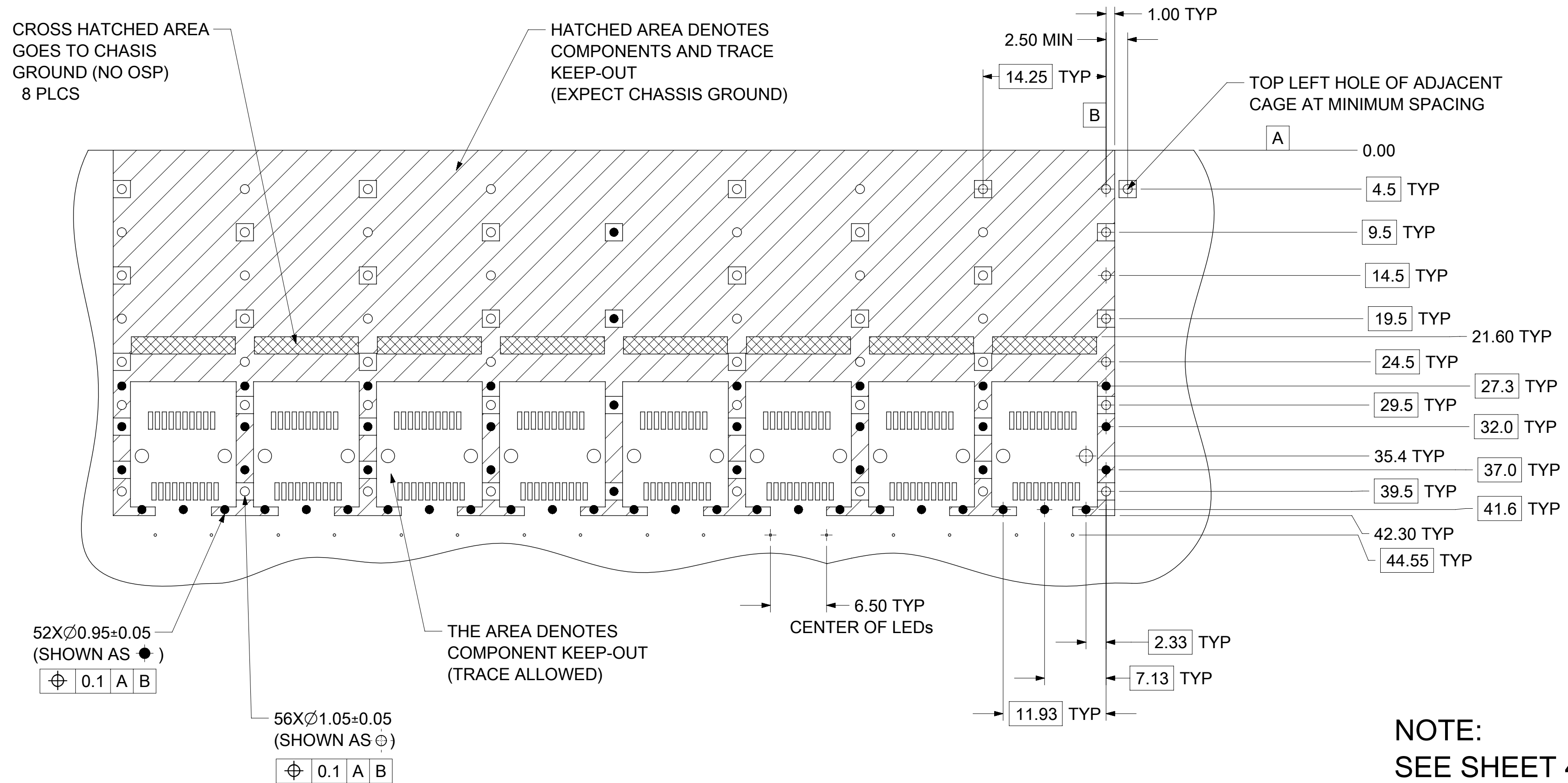


- NOTES:
1. PADS AND VIAS CONNECT TO CHASSIS GROUND (RECOMMEND PADS TO BE 2.00MM SQUARE)
 2. RECOMMENDED THRU HOLE PLATING INCLUDES HASL, OSP, OR IMMERSION (GOLD, SILVER, OR TIN).
 3. CONNECTOR PAD LAYOUT PER SFP+ MSA WILL ACCOMMODATE MOLEX CONNECTOR SERIES 170382 OR EQUIVALENT.
 4. HOLE PATTERN REPEATS FOR EACH PORT. SPACING BETWEEN PORTS IS 14.25MM.
 5. MIN PCB THICKNESS FOR SINGLE SIDED USE: 1.57MM.

FUNCTIONAL SYMBOLS	THIS DRAWING CONTAINS INFORMATION THAT IS PROPRIETARY TO MOLEX ELECTRONIC TECHNOLOGIES, LLC AND SHOULD NOT BE USED WITHOUT WRITTEN PERMISSION		CURRENT REV DESC:					
	DIMENSION UNITS	SCALE						
$\overline{A} = 0$	mm	2.5:1	DRWN: AMRUTH		2022/11/29			
$\overline{C} = 0$	GENERAL TOLERANCES (UNLESS SPECIFIED)		CHK'D: SMALLESHAPPA		2022/11/29			
$\overline{P} = 0$	ANGULAR TOL ± 1.0°		APPR: SCHIEN		2022/11/30			
DIVISIONAL SYMBOLS	4 PLACES ±		INITIAL REVISION:		DOCUMENT NUMBER			
	3 PLACES ±		DRWN: PKH		747548820		DOC TYPE	
	2 PLACES ± 0.13		APPR: SCHIEN		PSD		DOC PART	
	1 PLACE ± 0.25		2022/04/07		ASY		REVISION	
0 PLACES ±		2022/05/26		B1		SHEET NUMBER		
DRAFT WHERE APPLICABLE MUST REMAIN WITHIN DIMENSIONS		THIRD ANGLE PROJECTION	DRAWING	SERIES	MATERIAL NUMBER	CUSTOMER	SEE P/N TABLE	
			C-SIZE	74754			4 OF 7	

DOCUMENT STATUS	P1	RELEASE DATE	2022/11/30	02:34:56
-----------------	----	--------------	------------	----------

PCB LAYOUT FOR BELLY TO BELLY MOUNT



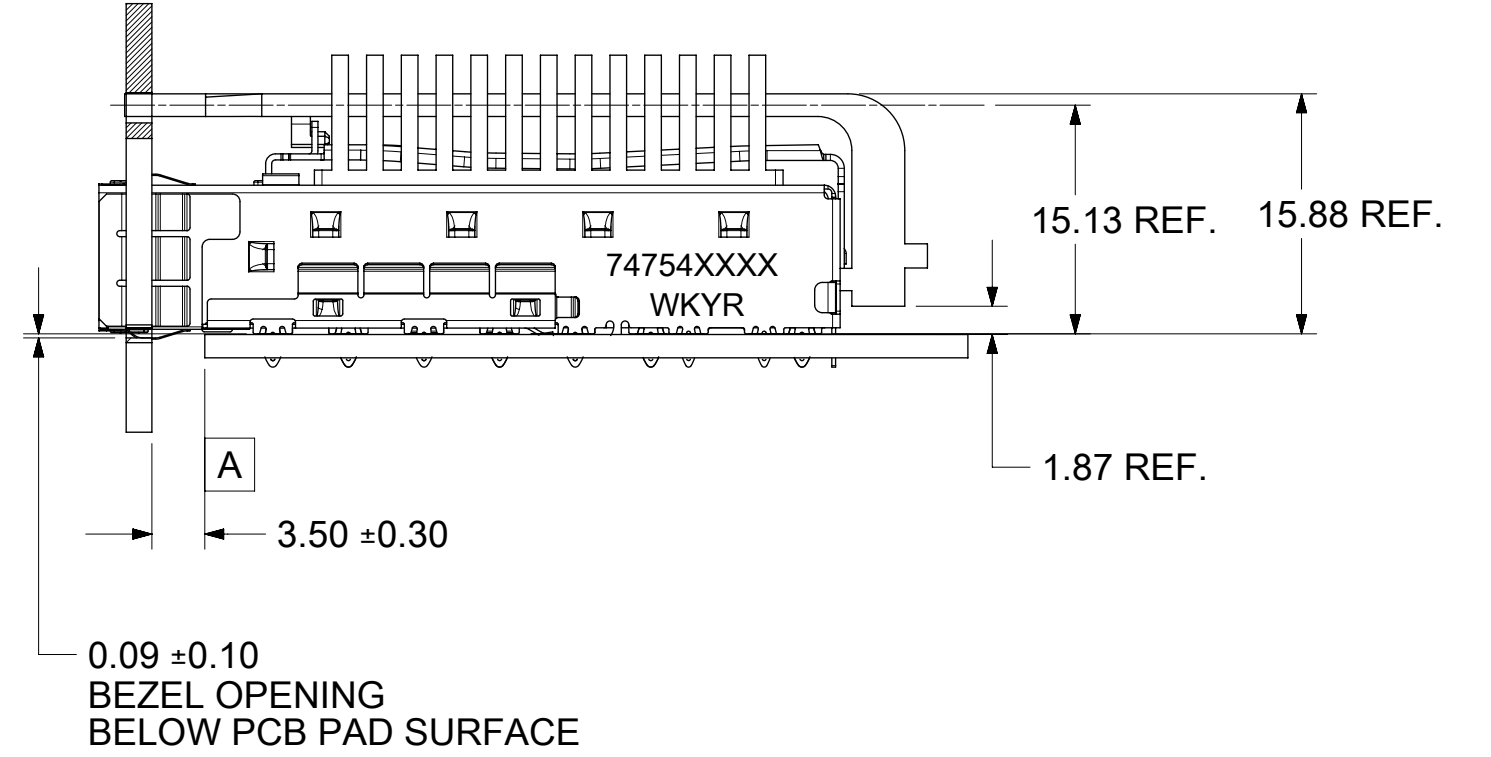
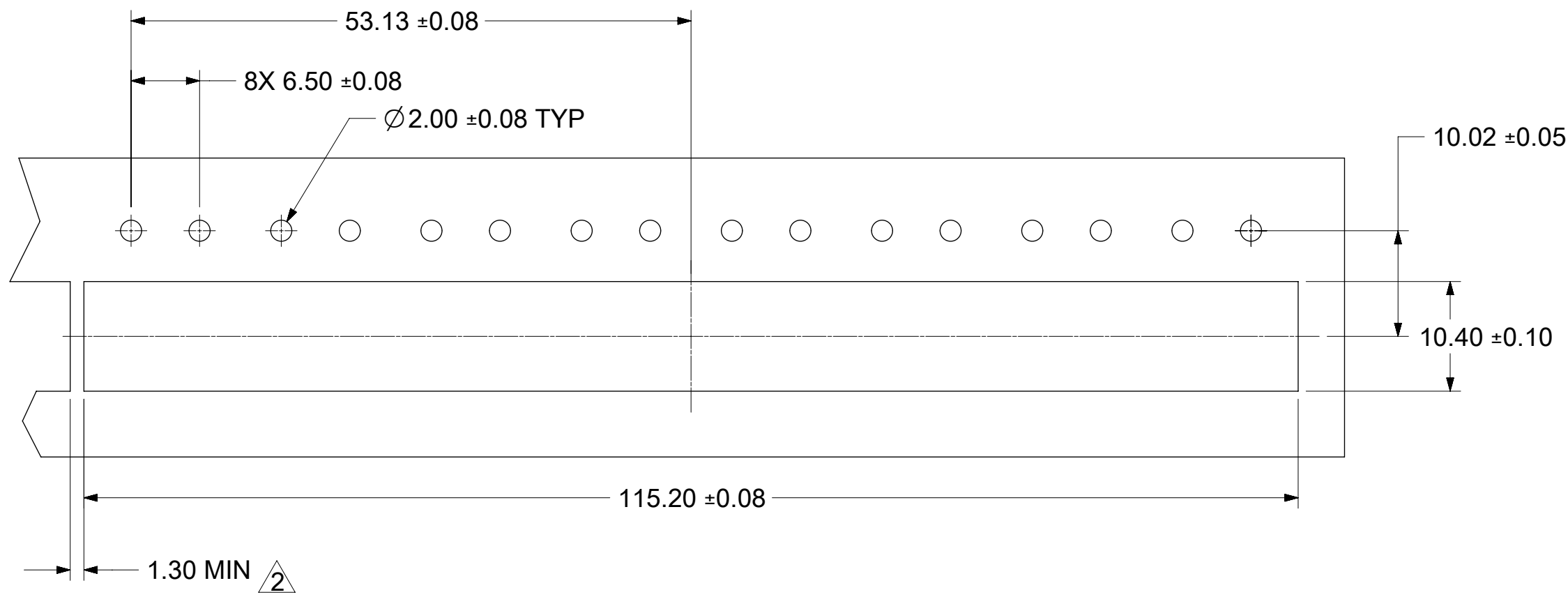
NOTE:
SEE SHEET 4 FOR
HOST CONNECTOR DETAIL

- NOTES:**
- PADS AND VIAS CONNECT TO CHASSIS GROUND (RECOMMEND PADS TO BE 2.00MM SQUARE)
 - RECOMMENDED THRU HOLE PLATING INCLUDES HASL, OSP, OR IMMERSION (GOLD, SILVER, OR TIN).
 - CONNECTOR PAD LAYOUT PER SFP+ MSA WILL ACCOMMODATE MOLEX CONNETOR SERIES 170382 OR EQUIVALENT.
 - HOLE PATTERN REPEATS FOR EACH PORT. SPACING BETWEEN PORTS IS 14.25MM.
 - MIN PCB THICKNESS FOR BELLY TO BELLY USE: 2.25MM.

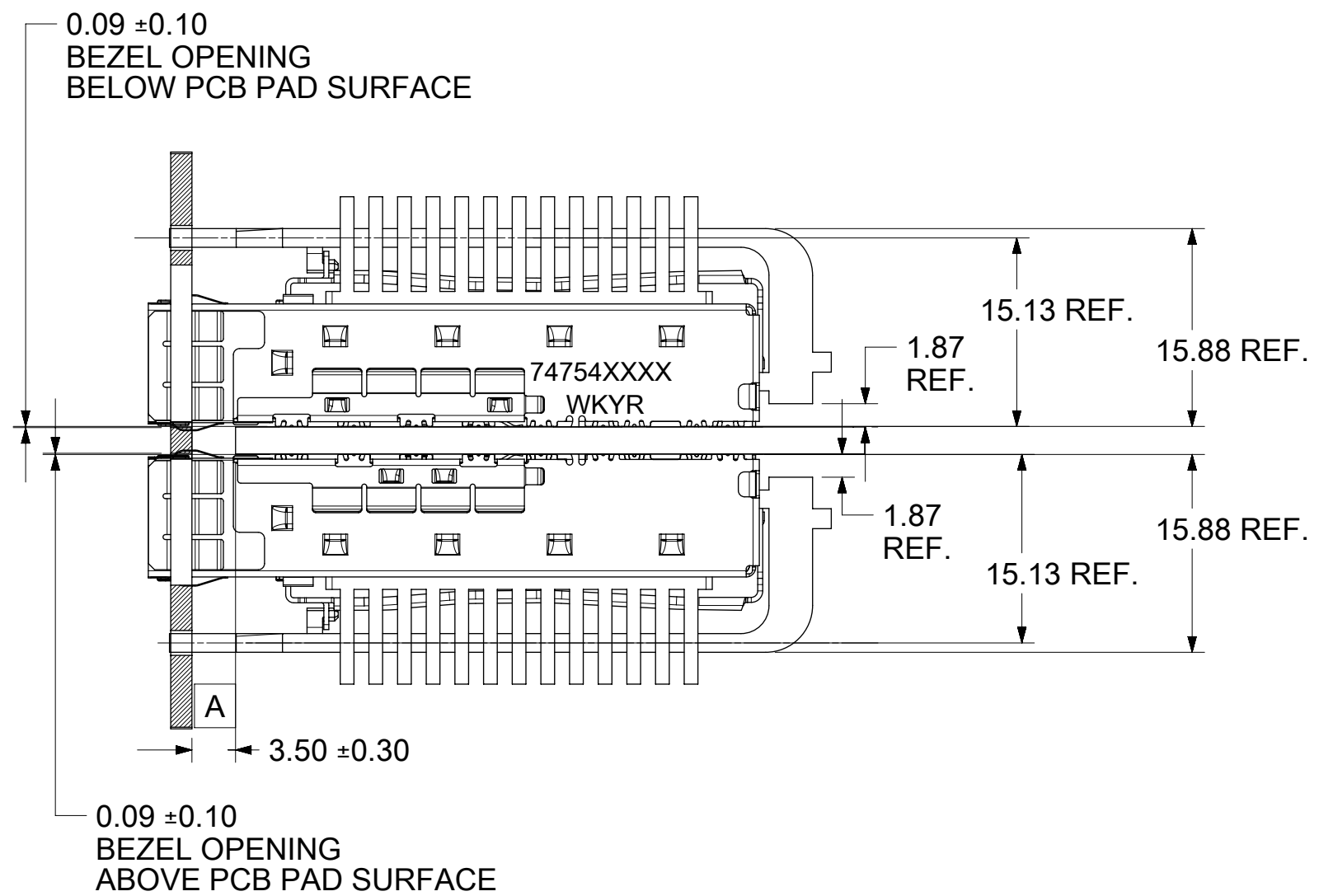
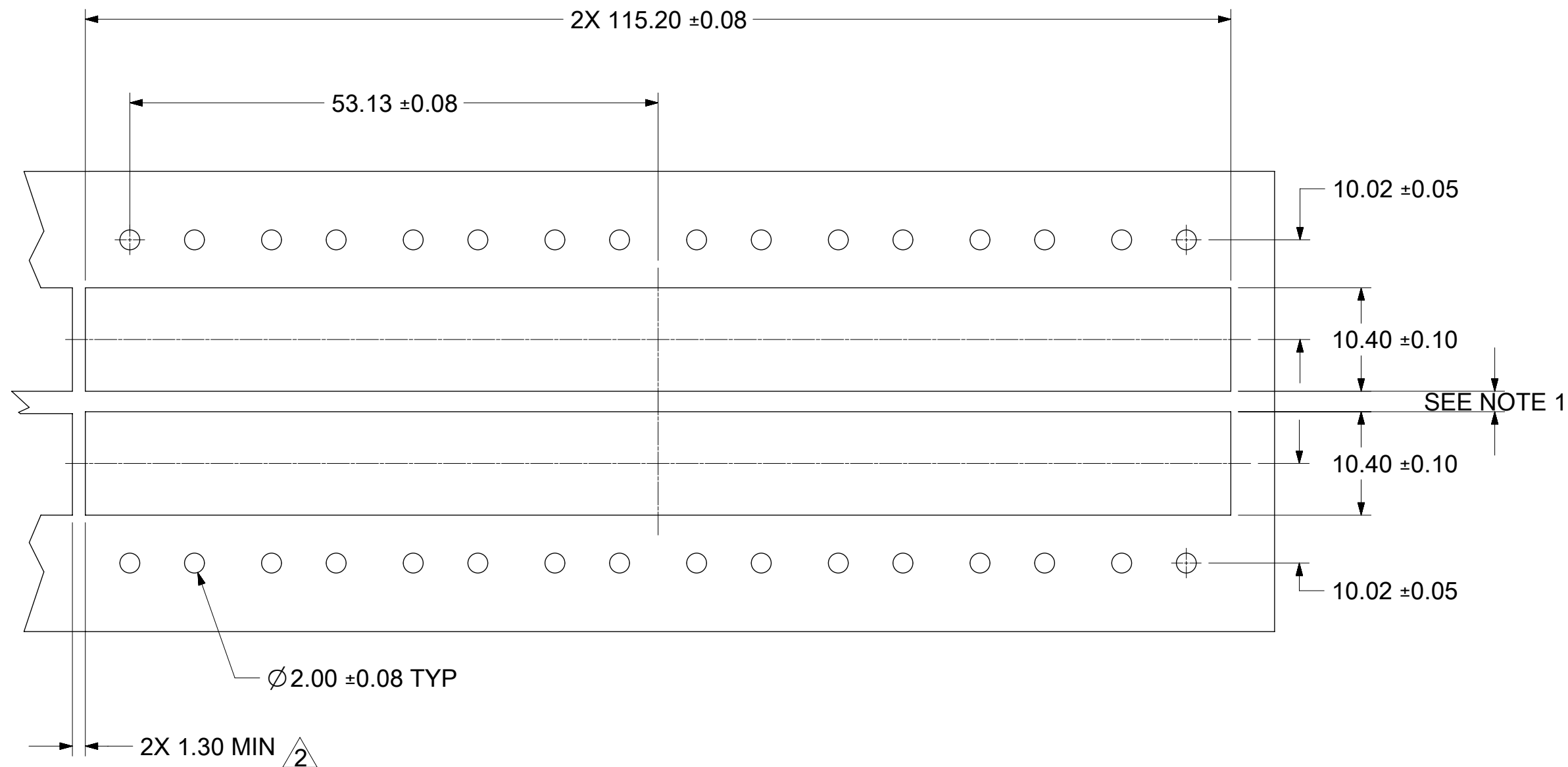
FUNCTIONAL SYMBOLS	THIS DRAWING CONTAINS INFORMATION THAT IS PROPRIETARY TO MOLEX ELECTRONIC TECHNOLOGIES, LLC AND SHOULD NOT BE USED WITHOUT WRITTEN PERMISSION		CURRENT REV DESC:					
	DIMENSION UNITS	SCALE						
$\frac{F}{A} = 0$	mm	2.5:1	DRWN: AMRUTH		2022/11/29		SFP+ 1X8 CAGE ASSY PRESS FIT TYPE, W/SUS SF, HEAT SINK & LIGHT PIPE	
$\frac{F}{C} = 0$	GENERAL TOLERANCES (UNLESS SPECIFIED)		CHK'D: SMALLESHAPPA		2022/11/29		PRODUCT CUSTOMER DRAWING	
$\frac{F}{P} = 0$	ANGULAR TOL $\pm 1.0^\circ$		APPR: SCHIEN		2022/11/30		DOCUMENT NUMBER	
DIVISIONAL SYMBOLS	4 PLACES \pm		INITIAL REVISION:		2022/04/07		747548820	
	3 PLACES \pm		DRWN: PKH		2022/05/26		PSD ASY B1	
	2 PLACES ± 0.13		APPR: SCHIEN				MATERIAL NUMBER	
	1 PLACE ± 0.25						CUSTOMER	
	0 PLACES \pm						SHEET NUMBER	
DRAFT WHERE APPLICABLE MUST REMAIN WITHIN DIMENSIONS			THIRD ANGLE PROJECTION	DRAWING	SERIES	SEE P/N TABLE		5 OF 7
				C-SIZE	74754			

DOCUMENT STATUS	P1	RELEASE DATE	2022/11/30	02:34:56
-----------------	----	--------------	------------	----------

BEZEL AND BOARD POSITION DIMENSIONS FOR SINGLE SIDE MOUNTING



BEZEL AND BOARD POSITION DIMENSIONS FOR BELLY TO BELLY MOUNTING



NOTE:
 1. PCB THICKNESS VARIATION MUST BE CONSIDERED WHEN DETERMINING BEZEL OPENING SIZE AND LOCATION.
 2. THIS DIM IS FOR REF ONLY USER CAN MODIFY IT DEPENDS ON APPLICATION, HOLE OF ADJACENT CAGE ON PCB LAYOUT VARIES BASED ON MODIFICATION.

FUNCTIONAL SYMBOLS	THIS DRAWING CONTAINS INFORMATION THAT IS PROPRIETARY TO MOLEX ELECTRONIC TECHNOLOGIES, LLC AND SHOULD NOT BE USED WITHOUT WRITTEN PERMISSION		CURRENT REV DESC:						
	DIMENSION UNITS	SCALE							EC NO: 730246
$\nabla_A = 0$	mm	2:1	DRWN: AMRUTH	2022/11/29	PRODUCT CUSTOMER DRAWING				
$\nabla_C = 0$	GENERAL TOLERANCES (UNLESS SPECIFIED)		CHK'D: SMALLESHAPPA	2022/11/29	DOCUMENT NUMBER				
$\nabla_P = 0$	ANGULAR TOL ± 1.0°		APPR: SCHIEN	2022/11/30	747548820		DOC TYPE	DOC PART	REVISION
DIVISIONAL SYMBOLS	4 PLACES ±		INITIAL REVISION:		PSD		ASY	B1	
	3 PLACES ±		DRWN: PKH	2022/04/07	MATERIAL NUMBER		CUSTOMER		SHEET NUMBER
	2 PLACES ± 0.13		APPR: SCHIEN	2022/05/26	SEE P/N TABLE				6 OF 7
	1 PLACE ± 0.25		THIRD ANGLE PROJECTION		DRAWING		SERIES		
	0 PLACES ±		C-SIZE		74754				
	DRAFT WHERE APPLICABLE MUST REMAIN WITHIN DIMENSIONS		DRAWING		SERIES				

DOCUMENT STATUS	P1	RELEASE DATE	2022/11/30	02:34:56
-----------------	----	--------------	------------	----------

