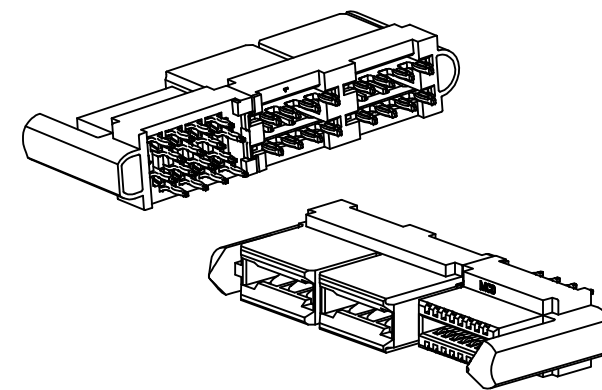
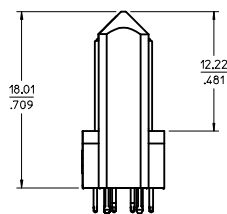
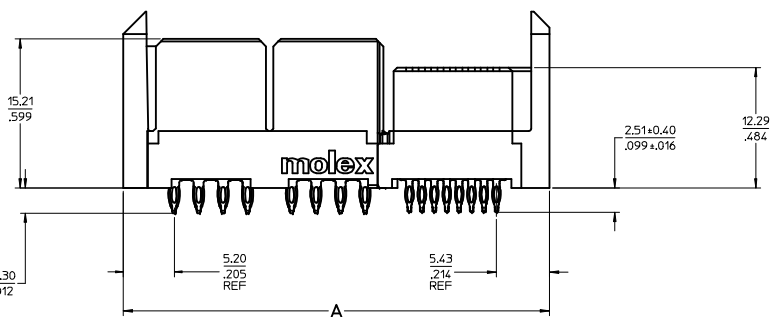
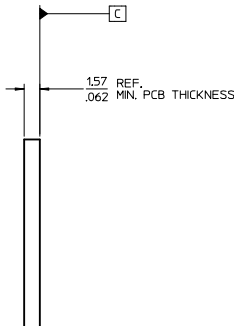
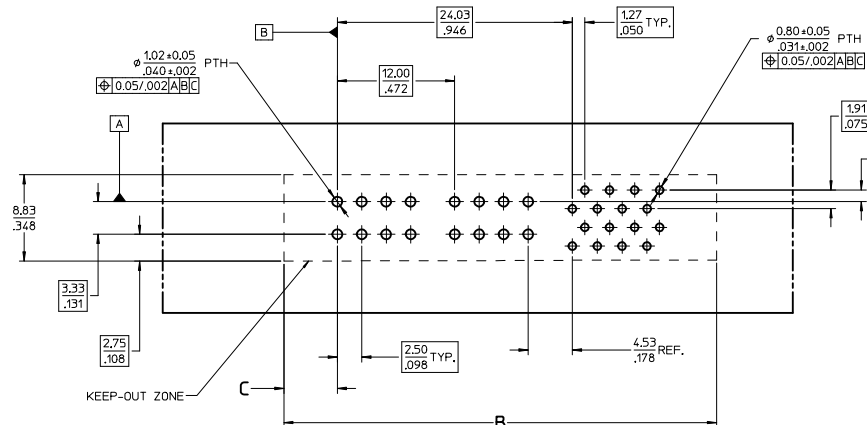


NO OF SIGNALS	MATERIAL NUMBER	COMPLIANT PIN PLATING	DIM A	DIM B	DIM C
12	46114-4120	TIN	4.10/1.615	4.15/1.634	5.45/2.15
16	46114-4160	TIN	4.355/1.715	44.05/1.734	
20	46114-4200	TIN	46.09/1.815	46.59/1.834	
24	46114-4240	TIN	48.63/1.915	49.13/1.934	
28	46114-4280	TIN	51.17/2.015	51.67/2.004	
32	46114-4320	TIN	53.71/2.115	54.21/2.134	
36	46114-4360	TIN	56.25/2.215	56.75/2.234	
40	46114-4400	TIN	58.79/2.315	59.29/2.334	



MATERIAL # 46114-4160 SHOWN

- NOTES:
1. MATERIAL: HOUSING: LCP, 94-V0, COLOR: BLACK.
POWER CONTACTS: COPPER ALLOY.
SIGNAL CONTACTS: MODIFIED TIN BRASS.
 2. FINISH: SELECT GOLD - 0.75 μM/30 μ INCHES
SELECTED TIN - 2.50 μM/100 μ INCHES
BOTH OVER NICKEL - 1.25 μM/50 μ INCHES
 3. POWER TERMINALS ARE LUBRICATED IN CONTACT AREA.
 4. PARTS ARE RHIS COMPLIANT.
 5. MATES TO MOLEX P/N 45985-SERIES OR CARD EDGE 1571.062.
 6. PRODUCT SPECIFICATION PS-46114-001.
 7. PACKAGING: PER PK-46114-003.



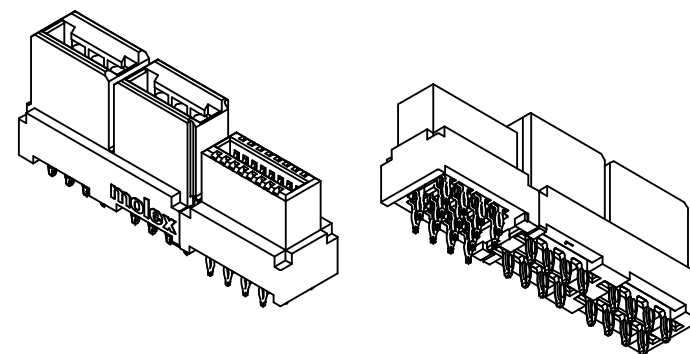
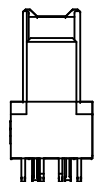
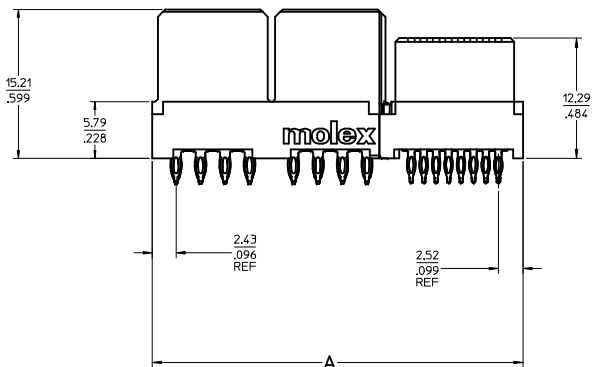
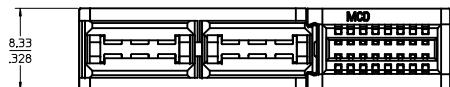
PCB COMPONENT SIDE
SCALE 4:1

CHG MX TO MCD ELEC NO: S2017-0362 DRAWN BY: 2016/12/15 CHKD: JZENG 2016/12/21 APPR: KHLIN 2016/12/21	QUALITY SYMBOLS ∇=0 ∇=0 ∇=0	GENERAL TOLERANCES (UNLESS SPECIFIED) mm INCH		DIMENSION STYLE MM/IN		SCALE 4:1	DESIGN UNITS METRIC	THIRD ANGLE PROJECTION
		4 PLACES ± --- ± --- 3 PLACES ± --- ± .010 2 PLACES ± 0.25 ± --- 1 PLACE ± --- ± --- 0 PLACE ± ±	4 PLACES ± --- ± --- 3 PLACES ± --- ± .010 2 PLACES ± 0.25 ± --- 1 PLACE ± --- ± --- 0 PLACE ± ±	DRAWN BY: MKARADIMAS DATE: 07/18/07 CHECKED BY: APATEL DATE: 07/20/07 APPROVED BY: JCOMERCI DATE: 2009/12/03	TITLE LPH VERTICAL RECEPTACLE ASSEMBLY 4 CIRCUIT PWR CONNECTOR, PRESS FIT	MATERIAL NO. SEE CHART	DOCUMENT NO. SD-46114-400	SHEET NO. 1 OF 3

THIS DRAWING CONTAINS INFORMATION THAT IS PROPRIETARY TO MOLEX INCORPORATED AND SHOULD NOT BE USED WITHOUT WRITTEN PERMISSION

20 19 18 17 16 15 14 13 12 11 10 9 8 7 6 5 4 3 2 1

NO OF SIGNALS	MATERIAL NUMBER	COMPLIANT PIN PLATING	DIM A	DIM B	DIM C
12	46114-4121	TIN	35.34/1.391	35.84/1.411	2.691/106
16	46114-4161	TIN	37.88/1.491	38.38/1.511	
20	46114-4201	TIN	40.42/1.591	40.92/1.611	
24	46114-4241	TIN	42.96/1.691	43.46/1.711	
28	46114-4281	TIN	45.50/1.791	46.00/1.811	
32	46114-4321	TIN	48.04/1.891	48.54/1.911	
36	46114-4361	TIN	50.58/1.991	51.08/2.011	
40	46114-4401	TIN	53.12/2.091	53.62/2.111	

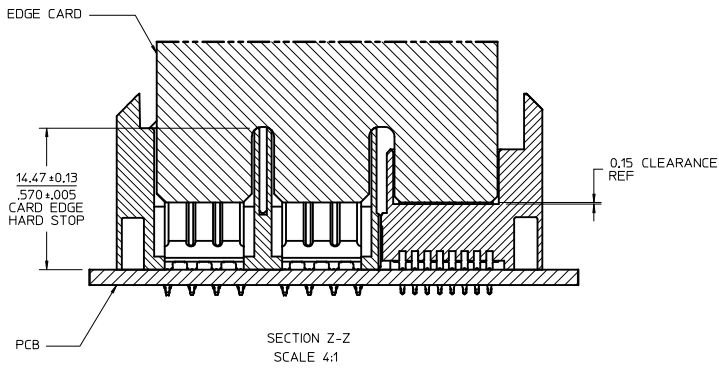


MATERIAL # 46114-4161 SHOWN

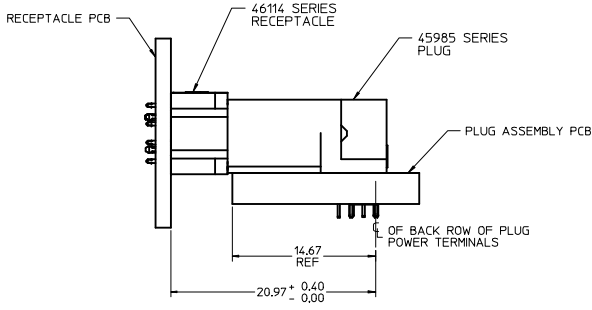
SEE SHEET 1 ELEC NO: S2017-0362 DRAWN BY: DRWNLIN06 CHKD: JZENG APPR: KHLIN	2016/12/15 2016/12/21 2016/12/21	QUALITY SYMBOLS ▽=0 ▽=0 ▽=0	GENERAL TOLERANCES (UNLESS SPECIFIED) mm INCH 4 PLACES ±.010 ±.010 3 PLACES ±.025 ±.010 2 PLACES ±.050 ±.010 1 PLACE ±.100 ±.010 0 PLACE ±.150 ±.010	DIMENSION STYLE MM/IN SCALE 4:1 DESIGN UNITS METRIC	DATE 07/18/07 DATE 07/20/07 DATE 2009/12/03	TITLE LPH VERTICAL RECEPTACLE ASSEMBLY 4 CIRCUIT PWR CONNECTOR, PRESS FIT molex	MATERIAL NO. SEE CHART	DOCUMENT NO. SD-46114-400	SHEET NO. 2 OF 3	
	ANGLAR ±1/2° DRAFT WHERE APPLICABLE MUST REMAIN WITHIN DIMENSIONS			THIRD ANGLE PROJECTION		THIS DRAWING CONTAINS INFORMATION THAT IS PROPRIETARY TO MOLEX INCORPORATED AND SHOULD NOT BE USED WITHOUT WRITTEN PERMISSION				
	DRAWN BY: MKARADI MAS CHECKED BY: APATEL APPROVED BY: JCOMERCI									
	DATE: 07/18/07 DATE: 07/20/07 DATE: 2009/12/03									

19 18 17 16 15 14 13 12 11 10 9 8 7 6 5 4 3 2 1

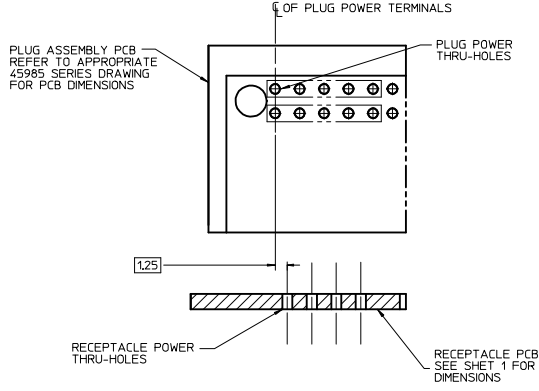
NO OF SIGNAL	DIM. D
12	8.00/315
16	10.54/415
20	13.08/515
24	15.62/615
28	18.16/715
32	20.70/815
36	23.24/915
40	25.78/1015



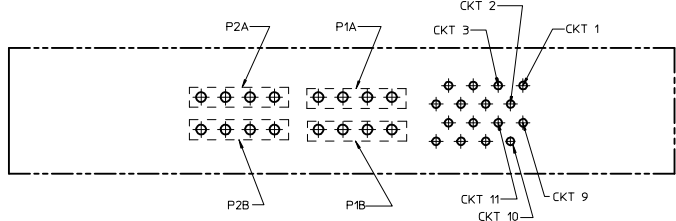
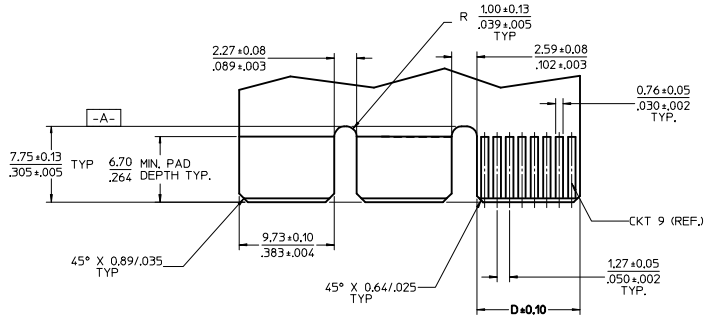
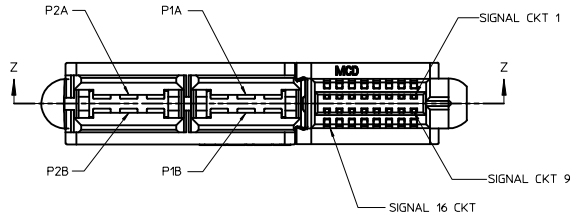
CARD EDGE MATING



PLUG ASSEMBLY MATING



ASSEMBLY PCB ALIGNMENT



RECOMMENDED EDGE CARD LAYOUT
EDGE CARD THICKNESS: 1.57/0.62 ± 0.15/0.06
PLATING: GOLD 30 μ INCHES MIN.
OVER 150 μ INCHES NICKEL.

PCB LAYOUT: COMPONENT SIDE
SEE SH1 FOR DIMENSIONS

SEE SHEET 1 ELEC NO: SZ017-0362 DRAWN: JIN06 CHKD: JZNG APPR: KHLIM DATE: 2016/12/15 DATE: 2016/12/21 DATE: 2016/12/21	QUALITY SYMBOLS ∇=0 ∇=0 ∇=0	GENERAL TOLERANCES (UNLESS SPECIFIED) 4 PLACES ± --- INCH 3 PLACES ± --- ± .010 2 PLACES ± 0.25 ± --- 1 PLACE ± --- ± --- 0 PLACE ± --- ± ---	DIMENSION STYLE MM/IN SCALE 4:1 DESIGN UNITS METRIC THIRD ANGLE PROJECTION	DRAWN BY MKARADIMAS DATE 07/18/07 CHECKED BY APATEL DATE 07/20/07 APPROVED BY JCOMERCI DATE 2009/12/03	TITLE LPH VERTICAL RECEPTACLE ASSEMBLY 4 CIRCUIT PWR CONNECTOR, PRESS FIT MATERIAL NO. SEE CHART DOCUMENT NO. SD-46114-400	SHEET NO. 3 OF 3
	ANGULAR ±1/2° DRAFT WHERE APPLICABLE MUST REMAIN WITHIN DIMENSIONS		THIS DRAWING CONTAINS INFORMATION THAT IS PROPRIETARY TO MOLEX INCORPORATED AND SHOULD NOT BE USED WITHOUT WRITTEN PERMISSION			