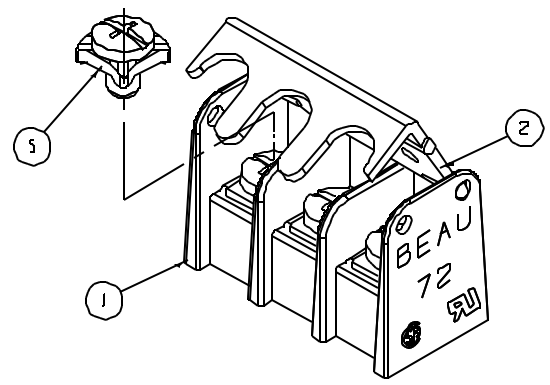
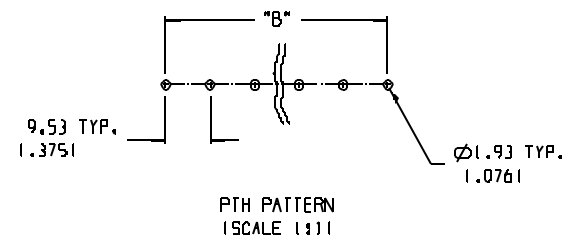
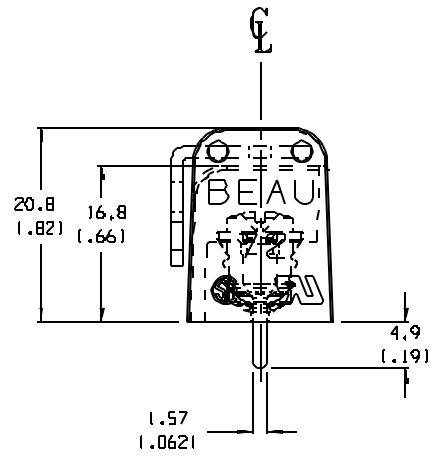
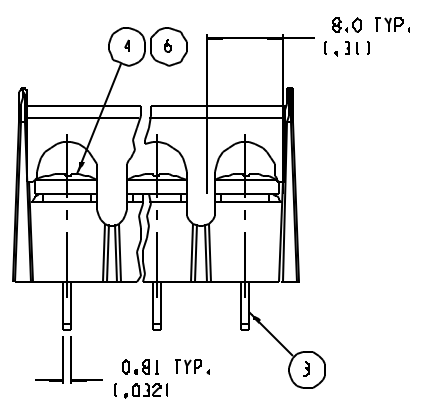


-47-50 OPTION
1 (SEE NOTE 6)



3 CIRCUIT SHOWN



- NOTES:
1. MATERIAL: SEE TABLE
 2. FINISHES: SEE TABLE
 3. PRODUCT SPECIFICATION: NOT REQUIRED
 4. PACKAGING: NOT REQUIRED
 5. MATES WITH: NONE
 6. -47 OPTION REFERS TO SCREWS UP IN WIRE-READY POSITION.



ITEM	QTY.	DESCRIPTION	MATERIAL	FINISH
6	XX	SCREW, #6-32X.250, BHD PHIL-SLOT (-49 OPT)	BRASS	NICKEL PLATE
5	XX	SCREW, #6-32X.250, PAN HD PH-SL W/WASHER (-50 OPT)	STEEL	ZN, CLEAR CHROMATE
4	XX	SCREW, #6-32X.250, BHD PHIL-SLOT (STD)	STEEL	ZN, CLEAR CHROMATE
3	XX	TERMINAL, PCKT	BRASS	TIN PLATE
2	1	COVER, HINGE	THERMOPLASTIC	BLACK
1	1	INSULATOR, SR, PC, CS, NO MTG.	THERMOPLASTIC	BLACK

EC NO. ECNF #324	DRWN: CY 11-22-05
CHK:	APPR:
REV	DESCRIPTION

QUALITY SYMBOLS	
MAJOR	CRITICAL
SPEC	

GENERAL TOLERANCES (UNLESS SPECIFIED)	
FRAMES	±.0015
2 PLACES	±.008
3 PLACES	±.005
4 PLACES	±.01
5 PLACES	±.01
6 PLACES	±.01
7 PLACES	±.01
8 PLACES	±.01
9 PLACES	±.01
10 PLACES	±.01
11 PLACES	±.01
12 PLACES	±.01
13 PLACES	±.01
14 PLACES	±.01
15 PLACES	±.01
16 PLACES	±.01
17 PLACES	±.01
18 PLACES	±.01
19 PLACES	±.01
20 PLACES	±.01
21 PLACES	±.01
22 PLACES	±.01
23 PLACES	±.01
24 PLACES	±.01
25 PLACES	±.01
26 PLACES	±.01
27 PLACES	±.01
28 PLACES	±.01
29 PLACES	±.01
30 PLACES	±.01
31 PLACES	±.01
32 PLACES	±.01
33 PLACES	±.01
34 PLACES	±.01
35 PLACES	±.01
36 PLACES	±.01
37 PLACES	±.01
38 PLACES	±.01
39 PLACES	±.01
40 PLACES	±.01
41 PLACES	±.01
42 PLACES	±.01
43 PLACES	±.01
44 PLACES	±.01
45 PLACES	±.01
46 PLACES	±.01
47 PLACES	±.01
48 PLACES	±.01
49 PLACES	±.01
50 PLACES	±.01
51 PLACES	±.01
52 PLACES	±.01
53 PLACES	±.01
54 PLACES	±.01
55 PLACES	±.01
56 PLACES	±.01
57 PLACES	±.01
58 PLACES	±.01
59 PLACES	±.01
60 PLACES	±.01
61 PLACES	±.01
62 PLACES	±.01
63 PLACES	±.01
64 PLACES	±.01
65 PLACES	±.01
66 PLACES	±.01
67 PLACES	±.01
68 PLACES	±.01
69 PLACES	±.01
70 PLACES	±.01
71 PLACES	±.01
72 PLACES	±.01
73 PLACES	±.01
74 PLACES	±.01
75 PLACES	±.01
76 PLACES	±.01
77 PLACES	±.01
78 PLACES	±.01
79 PLACES	±.01
80 PLACES	±.01
81 PLACES	±.01
82 PLACES	±.01
83 PLACES	±.01
84 PLACES	±.01
85 PLACES	±.01
86 PLACES	±.01
87 PLACES	±.01
88 PLACES	±.01
89 PLACES	±.01
90 PLACES	±.01
91 PLACES	±.01
92 PLACES	±.01
93 PLACES	±.01
94 PLACES	±.01
95 PLACES	±.01
96 PLACES	±.01
97 PLACES	±.01
98 PLACES	±.01
99 PLACES	±.01
100 PLACES	±.01

SCALE: 2:1	DESIGN UNITS: <input type="checkbox"/> mm <input checked="" type="checkbox"/> INCH	THIRD ANGLE PROJECTION
DRAWN BY & DATE: V. HOWARD 11/19/03	CHECKED BY & DATE: R. KEMP 11/19/03	APPROVED BY & DATE: P. WALTZ 11/19/03
CAP FILENAME: 72R5XX-C-H	MATERIAL NO.: SEE CHART	DRAWING NO.: SD-38729-020
TITLE: 9.53mm (.375") SR BTS, PC, CS ASY W/COVER, NO MTG.		SHEET NO.: 1 OF 2
MOLEX INCORPORATED		SIZE: B
THIS DRAWING CONTAINS INFORMATION THAT IS PROPRIETARY TO MOLEX INCORPORATED AND SHOULD NOT BE USED WITHOUT WRITTEN PERMISSION.		

NUMBER OF CIRCUITS "XX"	DIM. "A"	DIM. "B"	MATERIAL NO. (-C, -H, -47, -50)	MATERIAL NO. (-C, -H, -50)	MATERIAL NO. (-C, -H, -49)	MATERIAL NO. (-C, -H)
02	21.1 (.83)	9.53 (.375)		38729-139		38729-1480
03	30.7 (1.21)	19.05 (.750)	38729-1387	38729-1096	38729-1496	38729-1254
04	40.1 (1.58)	28.58 (1.125)			38729-1377	38729-1309
05	49.8 (1.96)	38.10 (1.500)		38729-1097		38729-1095
06	59.2 (2.33)	47.63 (1.875)		38729-1099		38729-1365
07	68.8 (2.71)	57.15 (2.250)		38729-1100		
08	78.3 (3.08)	66.68 (2.625)				
09	87.8 (3.46)	76.20 (3.000)				
10	97.3 (3.83)	85.73 (3.375)				
11	106.9 (4.21)	95.25 (3.750)				
12	116.3 (4.58)	104.78 (4.125)		38729-1102		

EC NO. SEE SHT 1 DRAWN: CHK: APPR:		QUALITY SYMBOLS MAJOR CRITICAL SPC S	GENERAL TOLERANCES (UNLESS SPECIFIED) mm inch		SCALE: N/A DRAWN BY & DATE: V. HOWARD 11/19/03	DESIGN UNITS: <input type="checkbox"/> mm <input checked="" type="checkbox"/> INCH	THIRD ANGLE PROJECTION	PROJECT NO.: DIMENSIONS: <input checked="" type="checkbox"/> INCH <input type="checkbox"/> INCH <input type="checkbox"/> MM ONLY	SHEET: REV: 1 -
			4 PLACES ±.0015 3 PLACES ±.008 ±.005 2 PLACES ±.01 1 PLACE ±.03	CHECKED BY & DATE: R. KEMP 11/19/03	TITLE: 9.53mm (.375") SR BTS, PC, CS ASY W/COVER, NO MTG.		APPROVED BY & DATE: P. WALTZ 11/19/03		MOLEX INCORPORATED
REV:		ANGLE: ±2° DRAFT WHERE APPLICABLE MUST REMAIN WITHIN DIMENSIONS		CAP FILENAME: 72R5XX-C-H		MATERIAL NO.: SEE CHART	DRAWING NO.: SD-38729-020	SHEET NO.: 2 OF 2	
THIS DRAWING CONTAINS INFORMATION THAT IS PROPRIETARY TO MOLEX INCORPORATED AND SHOULD NOT BE USED WITHOUT WRITTEN PERMISSION.								SIZE: B	